

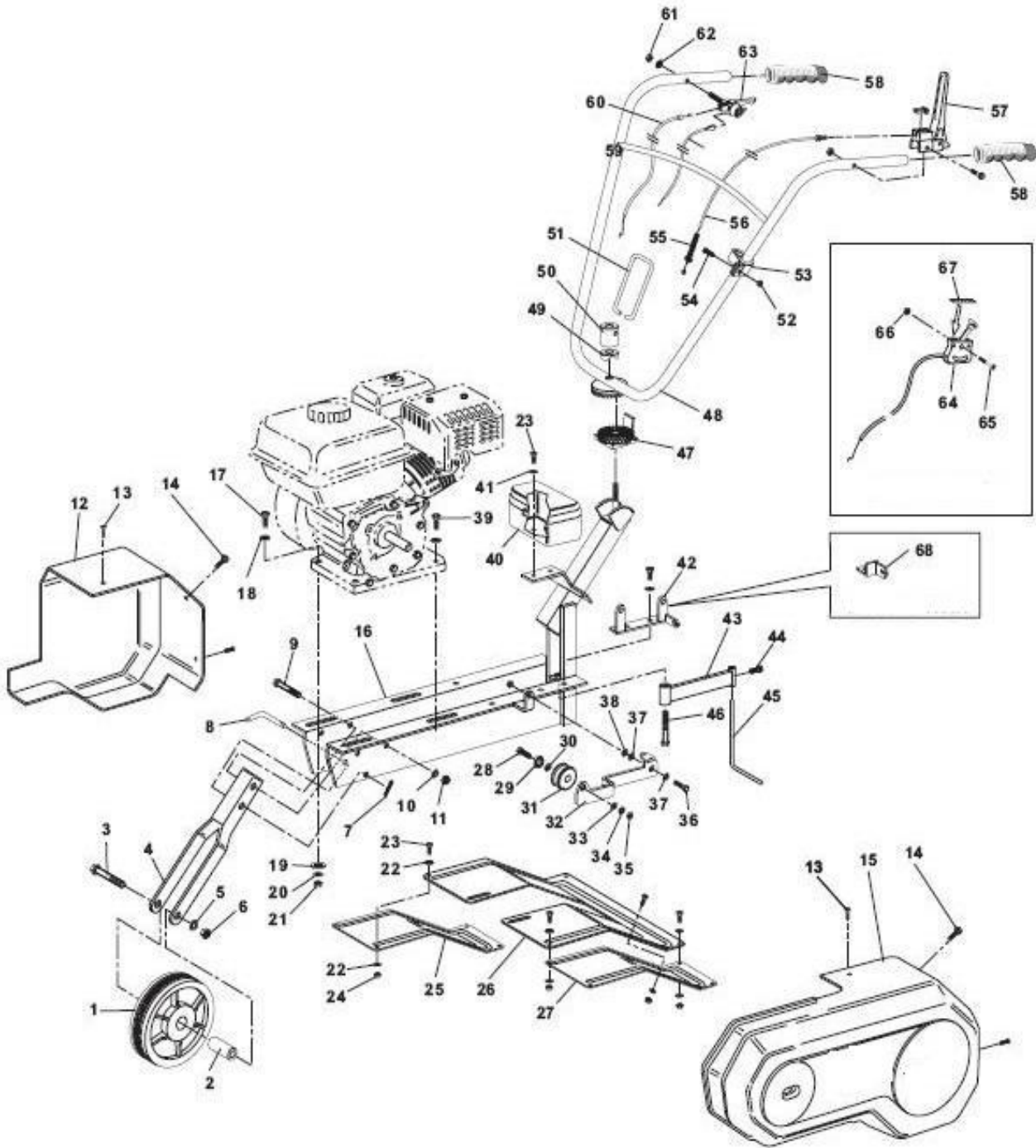
宁波协力机电制造有限公司



零部件分解图

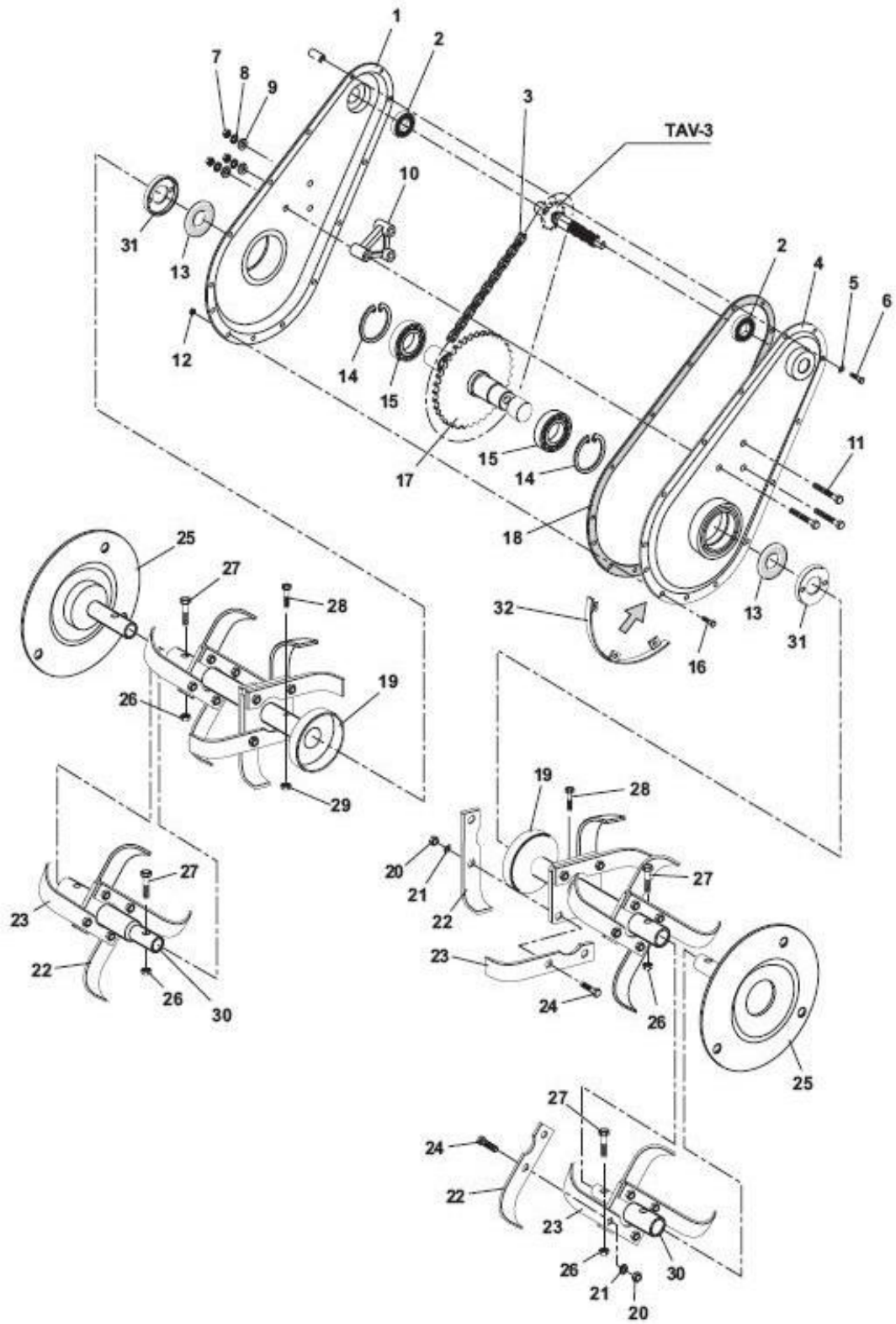
田园管理机系列  
XL5





**XL5 Part List A1-Farm 12/2007**

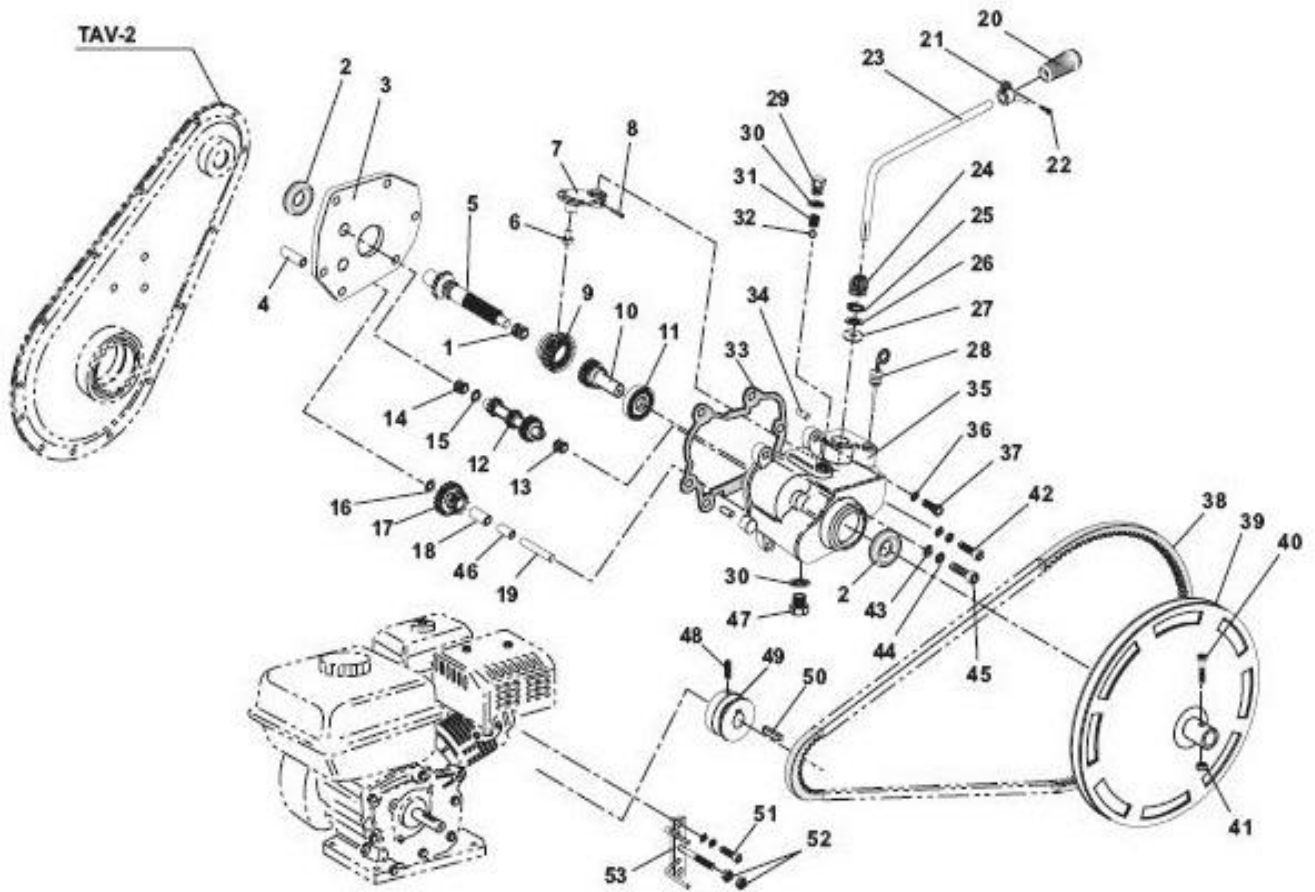
| Code            | Parts name                     | Qt | Code          | Parts name                           | Qt |
|-----------------|--------------------------------|----|---------------|--------------------------------------|----|
| 1 JSX5.6-101    | <b>Travel wheel</b>            | 1  | 35 GB41-86    | <b>nut keps M10</b>                  | 1  |
| 2 JSX5.6-103    | <b>Wheel Bering</b>            | 1  | 36 GB5780-86  | <b>Bolt M12*40</b>                   | 1  |
| 3 GB5780-86     | <b>Bolt Hex Hd m12*80</b>      | 1  | 37 GB95-86    | <b>Flat washer</b>                   | 3  |
| 4 JSX5.6-102    | <b>Wheel farm</b>              | 1  | 38 GB41-86    | <b>nut keps M12</b>                  | 1  |
| 5 GB93-87       | <b>Spring washer</b>           | 1  | 39 GB5780-86  | <b>Bolt Hex Hd M8*20</b>             | 4  |
| 6 GB41-86       | <b>nut keps M12</b>            | 1  | 40 JSX5.9.1   | <b>Tools box</b>                     | 1  |
| 7 GB91-86       | <b>Cotter Pin</b>              | 1  | 41 GB95-86    | <b>flat washer</b>                   | 2  |
| 8 JSX5.6-104    | <b>Plug</b>                    | 1  | 42 JSX5.0-7   | <b>Gearbox support</b>               | 1  |
| 9 GB5780-86     | <b>Bolt Hex Hd M8*55</b>       | 1  | 43 JSX5.7-101 | <b>Spur arm</b>                      | 1  |
| 10 GB95-85      | <b>flat washer</b>             | 1  | 44 GB5780-86  | <b>Bolt Hex Hd M10*25</b>            | 1  |
| 11 GB889-86     | <b>nut keps M8</b>             | 1  | 45 JSX5.7-102 | <b>Spur</b>                          | 1  |
| 12 JSX5.0-4     | <b>Plastic cover (right)</b>   | 1  | 46 GB5780-86  | <b>Bolt Hex Hd M14*90</b>            | 1  |
| 13 GB845-85     | <b>Bolt auto fit 3.9*4.5</b>   | 4  | 47 JSX5.0-6   | <b>Tooth-support</b>                 | 1  |
| 14 GB5780-86    | <b>Bolt Hex Hd M6*12</b>       | 2  | 48 JSX5.4     | <b>Handle bar</b>                    | 1  |
| 15 JSX5.0-3     | <b>Plastic cover (left)</b>    | 1  | 49 JSX5.4-106 | <b>Handle bar washer</b>             | 1  |
| 16 JSX5.3       | <b>Chassis</b>                 | 4  | 50 JSX5.4-107 | <b>handle bar Nut keps</b>           | 1  |
| 17 GB5780-86    | <b>Bolt Hex Hd M8*40</b>       | 4  | 51 JSX5.4-108 | <b>Screw fork</b>                    | 1  |
| 18 GB95-86      | <b>flat washer</b>             | 8  | 52 GB889-86   | <b>nut keps</b>                      | 2  |
| 19 GB96-86      | <b>flat washer</b>             | 4  | 53            | <b>wire fitter</b>                   | 2  |
| 20 GB93-87      | <b>spring washer</b>           | 8  | 54 GB65-85    | <b>Bolt Hex Hd M5*16</b>             | 2  |
| 21 GB889-86     | <b>nut keps M8</b>             | 8  | 55 JSX5.0-8   | <b>Spring</b>                        | 1  |
| 22 GB95-85      | <b>flat washer</b>             | 12 | 56            | <b>Clutch cable</b>                  | 1  |
| 23 GB5780-86    | <b>Bolt Hex Hd M6*12</b>       | 8  | 57            | <b>Joystick</b>                      | 1  |
| 24 GB889-86     | <b>nut keps M6</b>             | 6  | 58            | <b>Mitten</b>                        | 2  |
| 25 JSX5.0-5-103 | <b>Right side tiller cover</b> | 1  | 59            | <b>Power switch cable</b>            | 1  |
| 26 JSX5.0-5-102 | <b>center tiller cover</b>     | 1  | 60            | <b>Accelerator cable</b>             | 1  |
| 27 JSX5.0-5-101 | <b>left side tiller cover</b>  | 1  | 61 GB889-86   | <b>nut keps M6</b>                   | 1  |
| 28 JSX5.5-104   | <b>Bolt special M10</b>        | 1  | 62 GB862.1-87 | <b>Toothed washer</b>                | 1  |
| 29 GB278-82     | <b>Pad</b>                     | 1  | 63            | <b>Accelerator controller</b>        | 1  |
| 30 JSX5.5-102   | <b>Install block</b>           | 1  | 64            | <b>Handle accelerator with cable</b> | 1  |
| 31 JSX5.5-101   | <b>belt tight pulley</b>       | 1  | 65            | <b>Bolt Hex Hd M6*45</b>             | 1  |
| 32 JSX5.5-103   | <b>tight pulley arm</b>        | 1  | 66            | <b>nut keps M6</b>                   | 1  |
| 33 GB95-86      | <b>flat washer</b>             | 1  | 67            | <b>nut keps M10</b>                  | 1  |
| 34 GB93-87      | <b>spring washer</b>           | 1  | 68            | <b>Bolt M12*40</b>                   | 1  |



## XL5 Parts List A2-Transmission 12/2007

| Code | Parts name  | Qt                             | Code | Parts name    | Qt | Code | Parts name                           |    |
|------|-------------|--------------------------------|------|---------------|----|------|--------------------------------------|----|
| 1    | JSX5.2-101  | <b>Chain side cover right</b>  | 1    | 17 JSX5.2-104 |    |      | <b>Tiller shaft with crow</b>        | 1  |
| 2    | GB/T276-94  | <b>Simmer ring</b>             | 2    | 18 JSX5.2-106 |    |      | <b>Chainbox gasket</b>               | 1  |
| 3    | GB1243.1-83 | <b>Chain</b>                   | 1    | 19 JSX5.8-101 |    |      | <b>Knife shaft</b>                   | 2  |
| 4    | JSX5.2-102  | <b>Chain side cover left</b>   | 1    | 20 GB889-86   |    |      | <b>Nuts keps M8</b>                  | 16 |
| 5    | GB95-85     | <b>Flat washer</b>             | 1    | 21 GB95-85    |    |      | <b>Flat washer M8</b>                | 16 |
| 6    | GB5780-86   | <b>Bolt M6*20</b>              | 1    | 22 JSX5.8-103 |    |      | <b>Left Knife</b>                    | 8  |
| 7    | GB889-86    | <b>Nuts keps M8</b>            | 3    | 23 JSX5.8-102 |    |      | <b>Right Knife</b>                   | 8  |
| 8    | GB93-87     | <b>spring washer</b>           | 3    | 24 GB5780-86  |    |      | <b>Bolt Hex Hd M8*20</b>             | 16 |
| 9    | GB95-85     | <b>Flat washer</b>             | 3    | 25 JSX5.8-105 |    |      | <b>Side Disc</b>                     | 2  |
| 10   | JSX5.2-105  | <b>Chain box install block</b> | 1    | 26 GB889-86   |    |      | <b>Nuts keps selfblock M8</b>        | 2  |
| 11   | GB5780-86   | <b>Bolt Hex Hd M8*55</b>       | 3    | 27 GB5780-86  |    |      | <b>Bolt Hex Hd M8*45</b>             | 2  |
| 12   | GB889-86    | <b>Nuts keps selfblock M6</b>  | 13   | 28 GB5780-86  |    |      | <b>Bolt Hex Hd M10*45</b>            | 2  |
| 13   | GB9877-88   | <b>Simmer ring</b>             | 2    | 29 GB889-86   |    |      | <b>Nuts keps selfblock M10</b>       | 2  |
| 14   | GB893.1-86  | <b>Seeger ring</b>             | 2    | 30 JSX5.8-104 |    |      | <b>Extended knife shaft</b>          | 2  |
| 15   | GB/T276-94  | <b>Ball-bearing</b>            | 2    | 31            |    |      | <b>Dirt cover</b>                    | 2  |
| 16   | GB5780-86   | <b>Bolt Hex Hd M5*12</b>       | 13   | 32            |    |      | <b>Transmission protection cover</b> | 1  |

XL5 Gearbox <sup>12/2007</sup>





| Code            | Parts name                                  | Qt | Code          | Parts name                         | Qt |
|-----------------|---|----|---------------|------------------------------------|----|
| 1 BK121610      | <b>Needle bearing<br/>12*17*13</b>          | 1  | 28 JSX5.1-109 | <b>Oil meter</b>                   | 1  |
| 2 GB9877.1-88   | <b>Simmer ring</b>                          | 2  | 29 JSX5.1-113 | <b>Block spring cup</b>            | 1  |
| 3 JSX5.1-116    | <b>Support Plate gearbox</b>                | 1  | 30 JSX5.1-115 | <b>Fiber wisher</b>                | 2  |
| 4 JSX5.1-117    | <b>Install block</b>                        | 1  | 31 JSX5.1-114 | <b>Spring</b>                      | 1  |
| 5 JSX5.2-103    | <b>Pivot</b>                                | 1  | 32 GB308-84   | <b>Steel ball</b>                  | 1  |
| 6 JSX5.1-112    | <b>Sliding blocker</b>                      | 1  | 33 JSX5.1-108 | <b>Gearbox gasket</b>              | 1  |
| 7 JSX5.1-111    | <b>Shift marker</b>                         | 1  | 34 GB119-86   | <b>Plug</b>                        | 2  |
| 8 GB879-86      | <b>Elastic plug</b>                         | 1  | 35 JSX5-101   | <b>Gear box coat</b>               | 1  |
| 9 JSX5.1-103    | <b>Sliding gear</b>                         | 1  | 36 GB95-85    | <b>Flat washer</b>                 | 1  |
| 10 JSX5.1-102   | <b>Primary shaft</b>                        | 1  | 37 GB5780-86  | <b>Bolt</b>                        | 1  |
| 11 GB/T276-94   | <b>Ball bearing 6004<br/>20*42*12</b>       | 1  | 38 SPA        | <b>Belt</b>                        | 1  |
| 12 JSX5.1-104   | <b>Triple gear</b>                          | 1  | 39 JSX5.0-2   | <b>Gearbox pulley</b>              | 1  |
| 13 SF-1 1010    | Roller cup                                  | 1  | 40 GB5780-86  | <b>Bolt</b>                        | 1  |
| 14 SF-1 0810    | <b>FRICTION BEARING</b>                     | 1  | 41 GB889-86   | <b>nut keps M8</b>                 | 1  |
| 15              | <b>Thickness 25*14</b>                      | 1  | 42 GB70-85    | <b>Blot</b>                        | 2  |
| 16              | <b>Thickness 2*21</b>                       | 1  | 43 GB95-85    | <b>Flat washer</b>                 | 5  |
| 17 JSX5.1-107   | <b>Reverse speed gear</b>                   | 1  | 44 GB93-87    | <b>Washer</b>                      | 5  |
| 18 JSX5.1-106   | <b>Reverse speed gear<br/>Install block</b> | 1  | 45 GB70-85    | <b>Bolt</b>                        | 1  |
| 19 JSX5.1-105   | <b>Pivot</b>                                | 1  | 46 SF-1 1010  | <b>FRICTION BEARING</b>            | 1  |
| 20 JSX5.1-110-2 | <b>Knob</b>                                 | 1  | 47 JSX5.1-119 | <b>Oil cap</b>                     | 1  |
| 21 JSX5.1-110-3 | <b>Shift marker</b>                         | 1  | 48 GB77-85    | <b>Bolt without head<br/>M8*18</b> | 1  |
| 22 GB845-85     | <b>Bolt</b>                                 | 1  | 49 JSX5.0-01  | <b>Engine Pulley</b>               | 1  |
| 23 JSX5.1-110-1 | <b>Gearbox lever</b>                        | 1  | 50 GB1096-79  |                                    | 1  |
| 24 JSX5.1-110-4 | <b>Duct cover</b>                           | 1  | 51 GB70-85    | <b>Bolt</b>                        | 2  |
| 25 GB894.1-86   | <b>Seeger ring E 12</b>                     | 1  | 52 GB889-86   | <b>nut keps M8</b>                 | 2  |
| 26 GB95-85      | <b>Thickness 12*20</b>                      | 1  | 53 JSX5.0-08  | <b>Engine Pulley frame</b>         | 1  |
| 27 GB9877.1-88  | <b>Oil seal</b>                             | 1  | BK121610      | Pin bearing 12*17*13               | 1  |