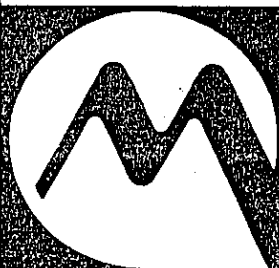


DEC 13 2002

PARTS LIST

Model: XG400



MARUYAMA

MARUYAMA MFG. CO., INC.

4-15, Uchikanda, 3-Chome,
Chiyoda-ku, Tokyo 101-0047
Japan

PHONE +81-3-3252-2285

FAX +81-3-3252-2253

<http://www.maruyama.co.jp>

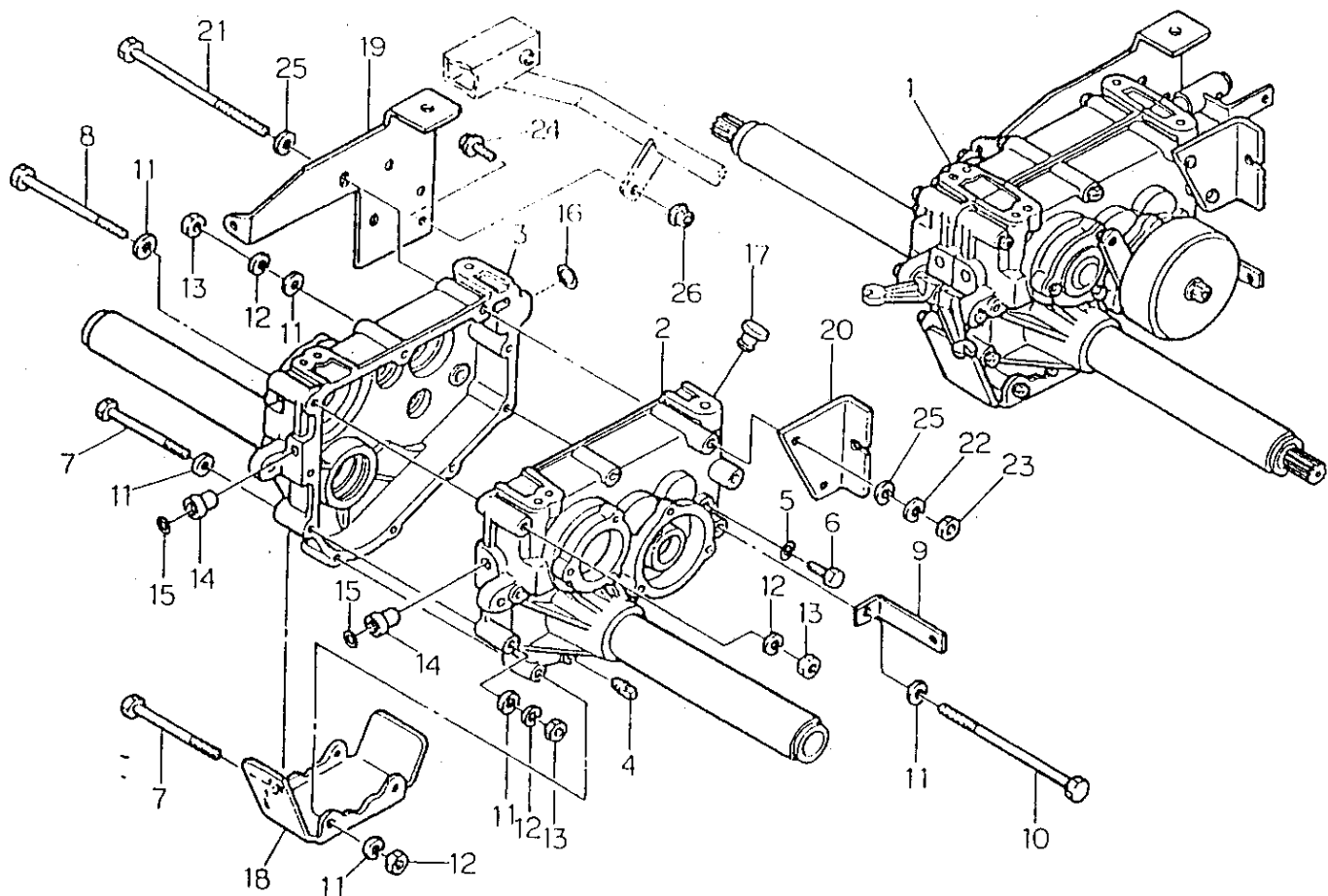
Model : XG400

Parts List

CONTENTS

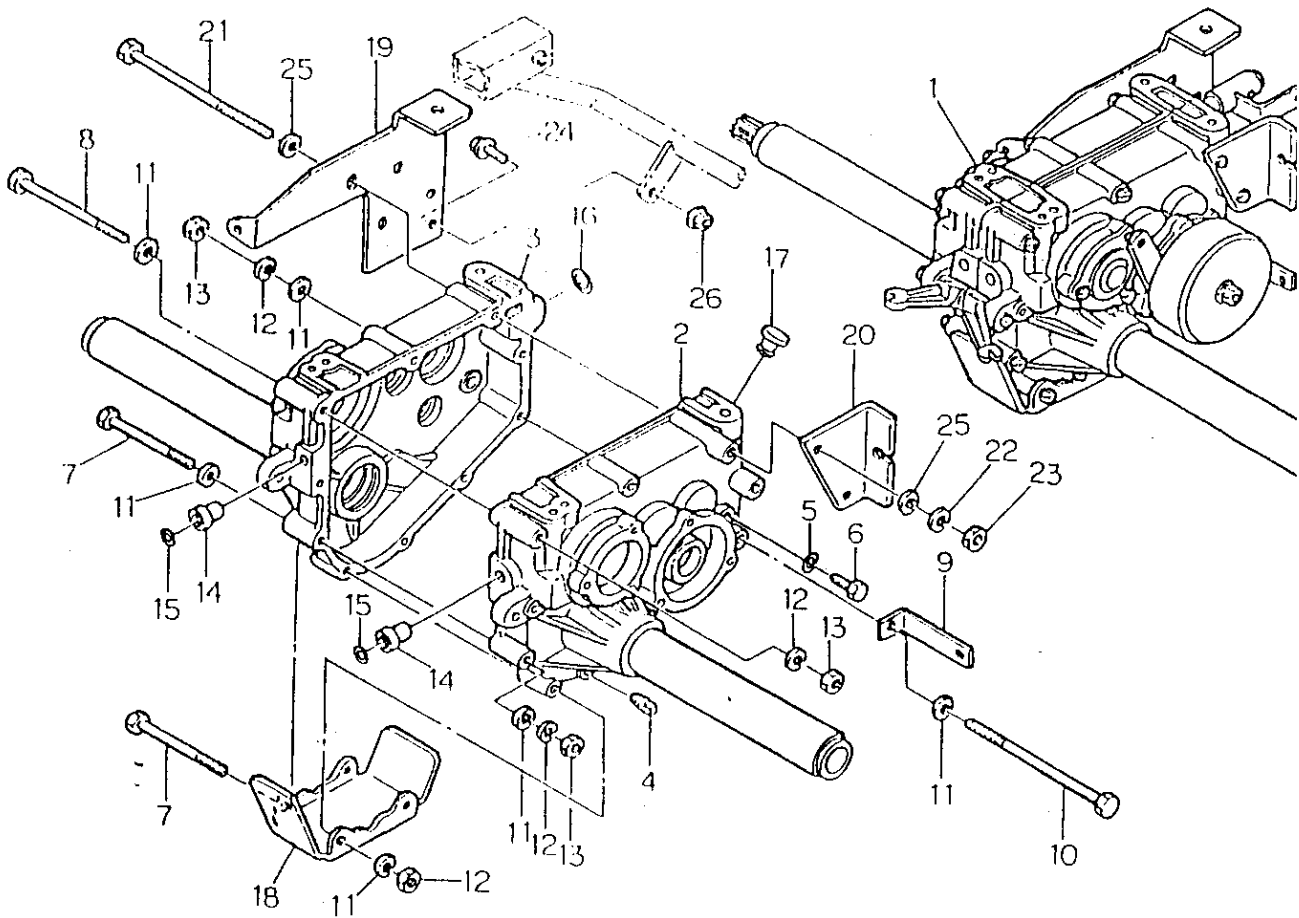
Transmission (No. 1)	Page 1
		Page 2
Transmission (No. 2)	Page 3
Transmission (No. 3)	Page 4
Transmission (No. 4)	Page 5
Transmission (No. 5)	Page 6
Frame (No. 1)	Page 7
Frame (No. 2)	Page 8
Frame (No. 3)	Page 9
Frame (No. 4)	Page 10
Frame (No. 5)	Page 11
Frame (No. 6)	Page 12
Roller (No. 1)	Page 13
Roller (No. 2)	Page 14
Engine/Driving (No. 1)	Page 15
Engine/Driving (No. 2)	Page 16
Engine/Driving (No. 3)	Page 17
Engine/Driving (No. 4)	Page 18
Cover (No. 1)	Page 19
Cover (No. 2)	Page 20
Cover (No. 3)	Page 21
Cover (No. 4)	Page 22
Cover (No. 5)	Page 23
Cover (No. 6)	Page 24

TRANSMISSION (No. 1)



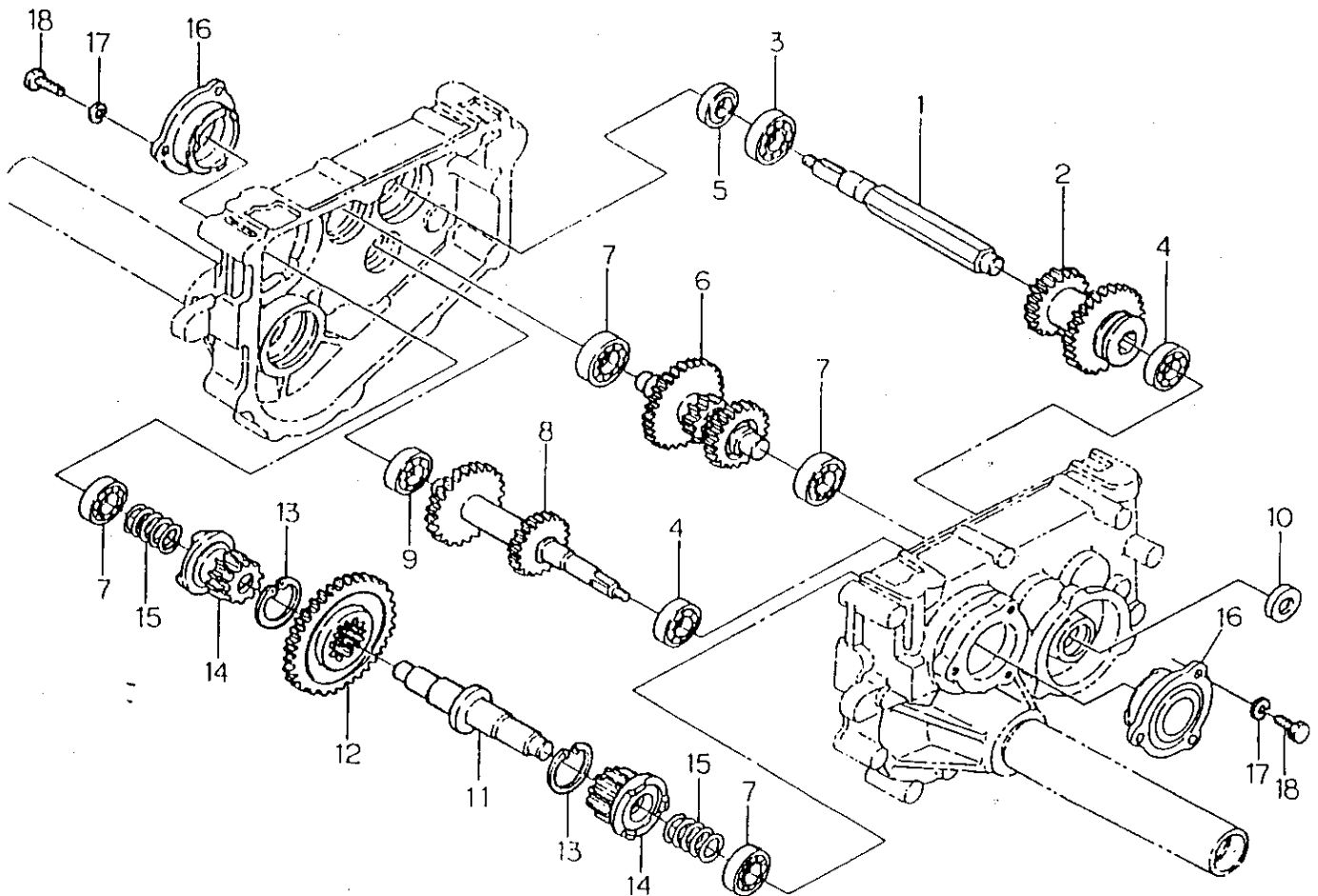
No.	Part No.	Part Description	Q'ty
1	0353-100-200-0	G. BOX ASSY	1 set
2	0353-110-210-0	Gear Case (L)	1
3	0353-110-220-0	Gear Case (R)	1
4	3614-101-005-0A	Plug	1
5	V720-101-900-6	O-ring P6	1
6	V200-280-601-0	Bolt M6x10	1
7	V201-260-809-0	Bolt M8x90	3
8	V201-260-811-5	Bolt M8x115	4
9	0353-110-011-1A	Brake cover support	1
10	V201-260-812-0	Bolt M8x120	1
11	V411-260-008-0	Washer 8	12
12	V401-180-008-0	Spring washer	8
13	V304-260-008-0	Nut M8	8
14	3740-111-030-0	Push rod metal	2
15	V720-101-901-0	O-ring P10	2
16	V720-102-401-6	O-ring P16	1
17	3580-102-029-1A	Oil cup	1
18	0343-115-011-0	Under guard	1
19	0353-130-011-0	Stopper base	1
20	0343-115-012-0	Brake wire holder	1

TRANSMISSION (No. 1)



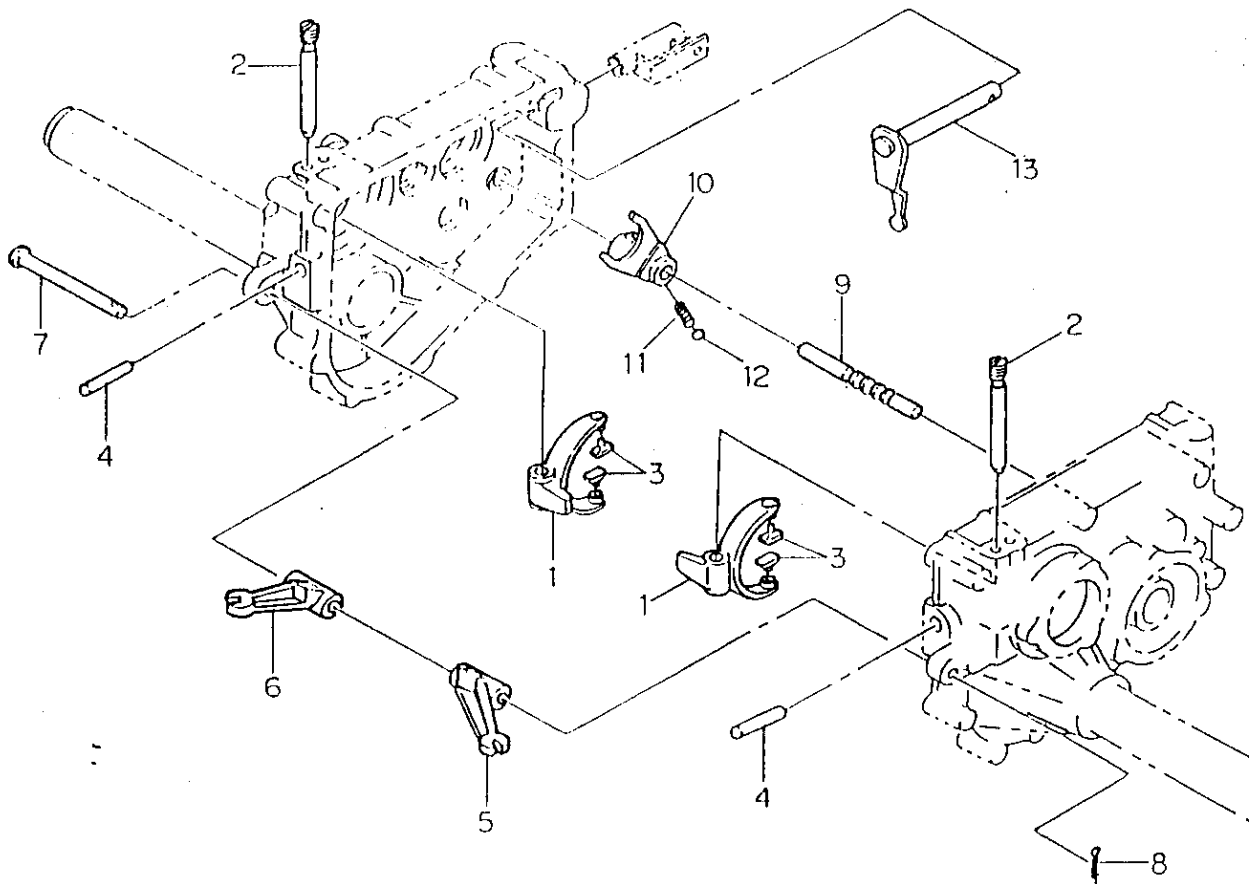
No.	Part No.	Part Description	Q'ty
21	V201-261-016-0	Bolt M10x160	2
22	V401-160-010-0	Spring washer 10	2
23	V304-260-010-0	Nut M10	2
24	V11-361-002-5	Bolt (SP) M10x25	1
25	V411-260-010-0	Washer 10	2
26	V363-260-010-0	Nut with washer	1

TRANSMISSION (No. 2)



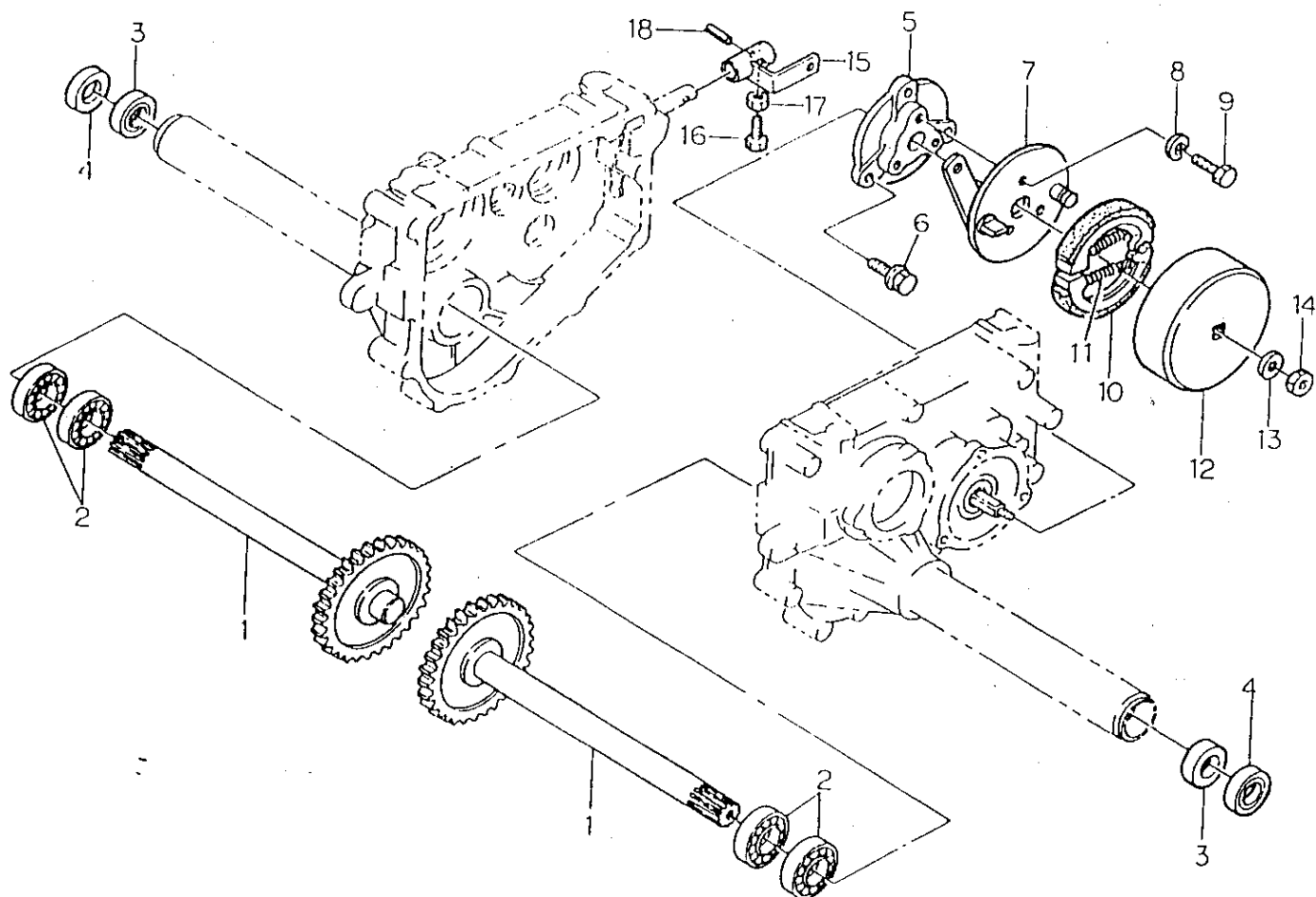
No.	Part No.	Part Description	Q' t'y
1	0343-110-011-0	Input shaft	1
2	0353-110-012-0	Change gear (13-19)	1
3	V600-110-630-3	Bearing 6303	1
4	V600-110-620-2	Bearing 6202	2
5	0407-110-027-0	Oil seal (TC16.7)	1
6	0353-110-200-0	Counter shaft	1
7	V600-110-620-3	Bearing 6203	4
8	0343-110-210-1	Back counter COMP	1
9	V600-110-600-3	Bearing 6003	1
10	V744-117-300-7	Oil seal TC17307	1
11	0407-110-018-1	Side clutch shaft	1
12	3740-111-021-0	Center gear	1
13	V705-140-037-0	Snap ring (hole) 37	2
14	3051-101-009-1A	Clutch gear	2
15	3740-111-023-0A	Clutch spring	2
16	0343-110-013-0A	Brake metal	2
17	V401-160-008-0	Spring washer 8	6
18	0450-110-011-0	Lock bolt M8x25	6

TRANSMISSION (No. 3)



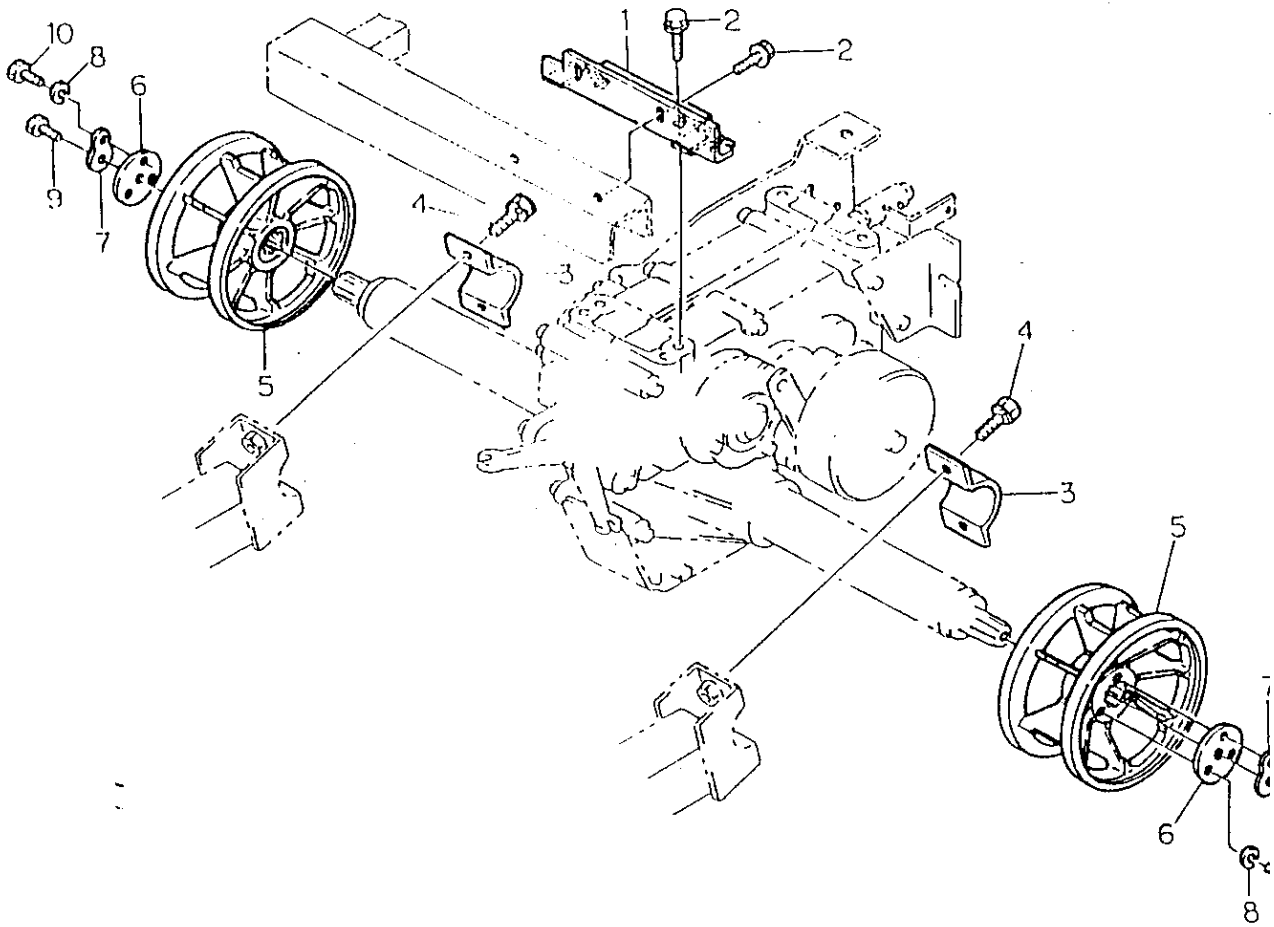
<u>No.</u>	<u>Part No.</u>	<u>Part Description</u>	<u>Q' ty</u>
1	3100-107-001-0	Shifter Arm	2
2	0343-110-014-0A	Shifter arm pin	2
3	2703-101-020-0	Shifter collar	4
4	3740-111-029-0	Side clutch push rod	2
5	0472-110-012-0	Side clutch arm (L)	1
6	0472-110-013-0	Side clutch arm (R)	1
7	3517-501-002-1A	Clutch guide pin	1
8	V500-163-002-0	Split pin 3x20	1
9	0343-110-015-0	Change shift rod	1
10	0343-110-016-0	Change shifter	1
11	1301-229-004-0A	Shifter spring	1
12	V680-200-001-0	Steel ball 5/16	1
13	0343-110-220-0	Change arm COMP	1

TRANSMISSION (No. 4)



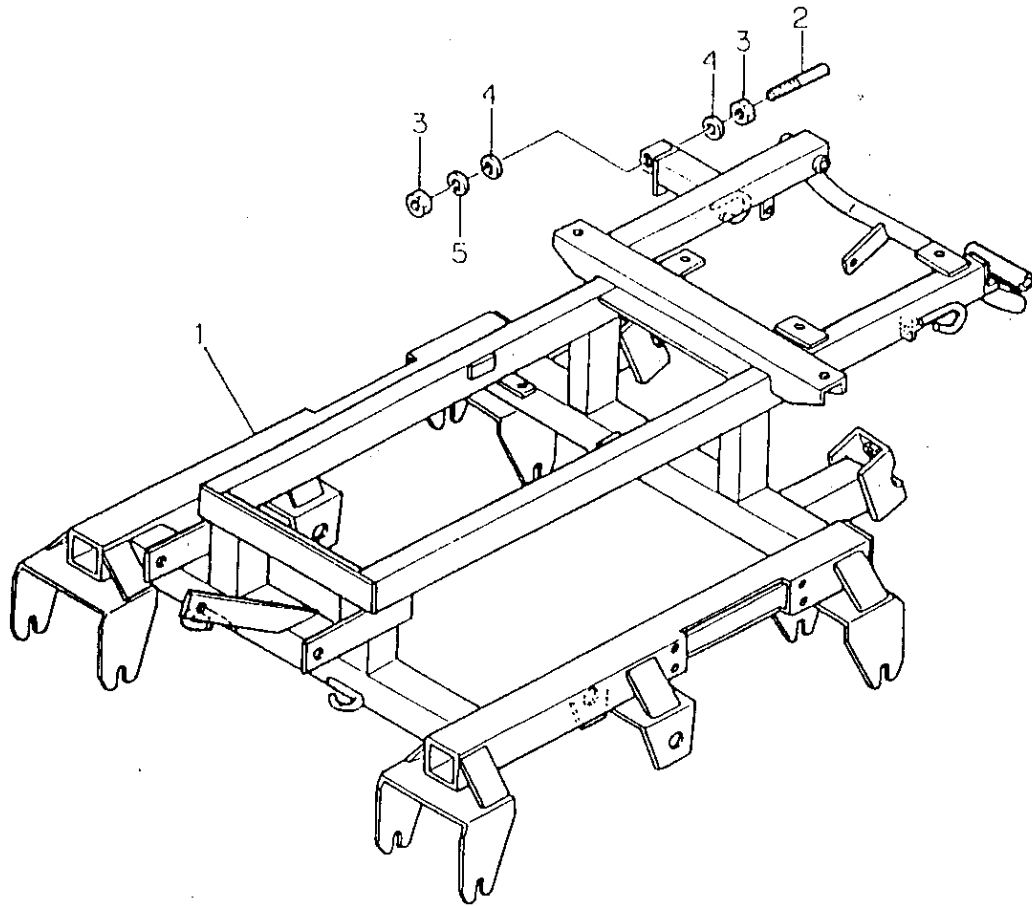
No.	Part No.	Part Description	Q'ty
1	0343-110-230-0	Wheel shaft	2
2	V600-110-620-5	Bearing 6205	4
3	V744-125-350-7	Oil seal TC25357	2
4	V742-125-350-5	Oil seal VC25355	2
5	0343-115-013-0	Brake holder	1
6	V211-380-802-5	Bolt (SP) M8x25	3
7	0343-115-230-0A	Back plate COMP	1
8	V401-160-006-0	Spring washer 6	3
9	V200-460-801-6	Bolt M6x16 9T	3
10	0400-102-001-0	Brake shoe	2
11	0400-102-002-0	Brake shoe spring	2
12	0400-102-003-0	Brake drum	1
13	V411-260-010-0	Washer 10	1
14	0412-204-004-0	U-nut (M10)	1
15	0353-130-200-1B	Change arm (450)	1
16	V201-460-801-6	Bolt M8x16 9T	1
17	V303-260-008-0	Nut M8	1
18	V580-140-602-5	Spring pin (W) 6x25	1

TRANSMISSION (No. 5)



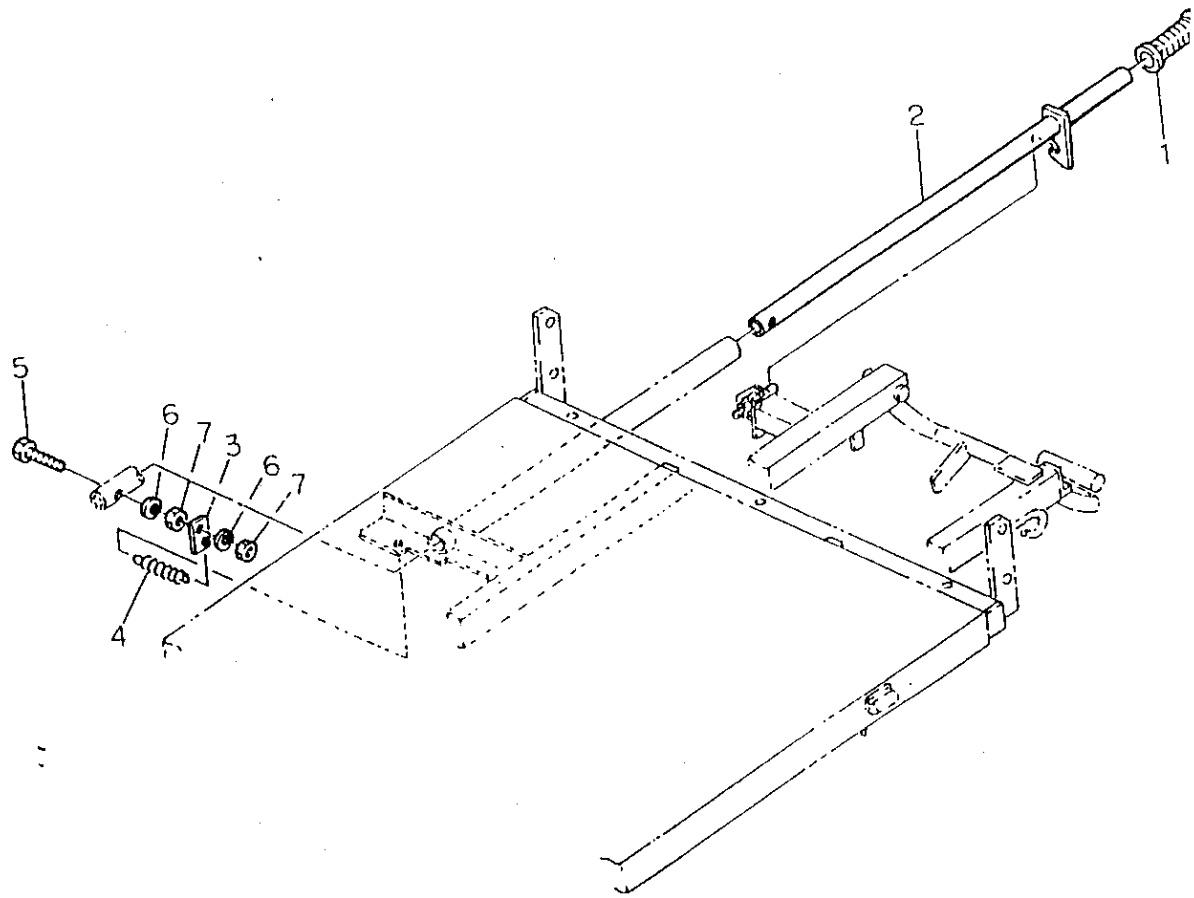
No.	Part No.	Part Description	Q' ty
1	0353-130-210-0	Wire holder	1
2	V211-361-002-5	Bolt (SP) M10x25	4
3	0351-115-012-1	Wheel pipe holder 43	2
4	V211-261-002-5	Bolt (S) M10x25	4
5	0354-120-011-5E	Wheel sprocket	2
6	0354-120-013-0	Sprocket holder (B)	2
7	3051-102-009-0	Locking plate	2
8	V401-160-008-0	Spring washer 8	6
9	V201-460-802-0	Bolt M8x20 9T	2
10	V201-460-803-0	Bolt M8x30 9T	6

FRAME (No. 1)



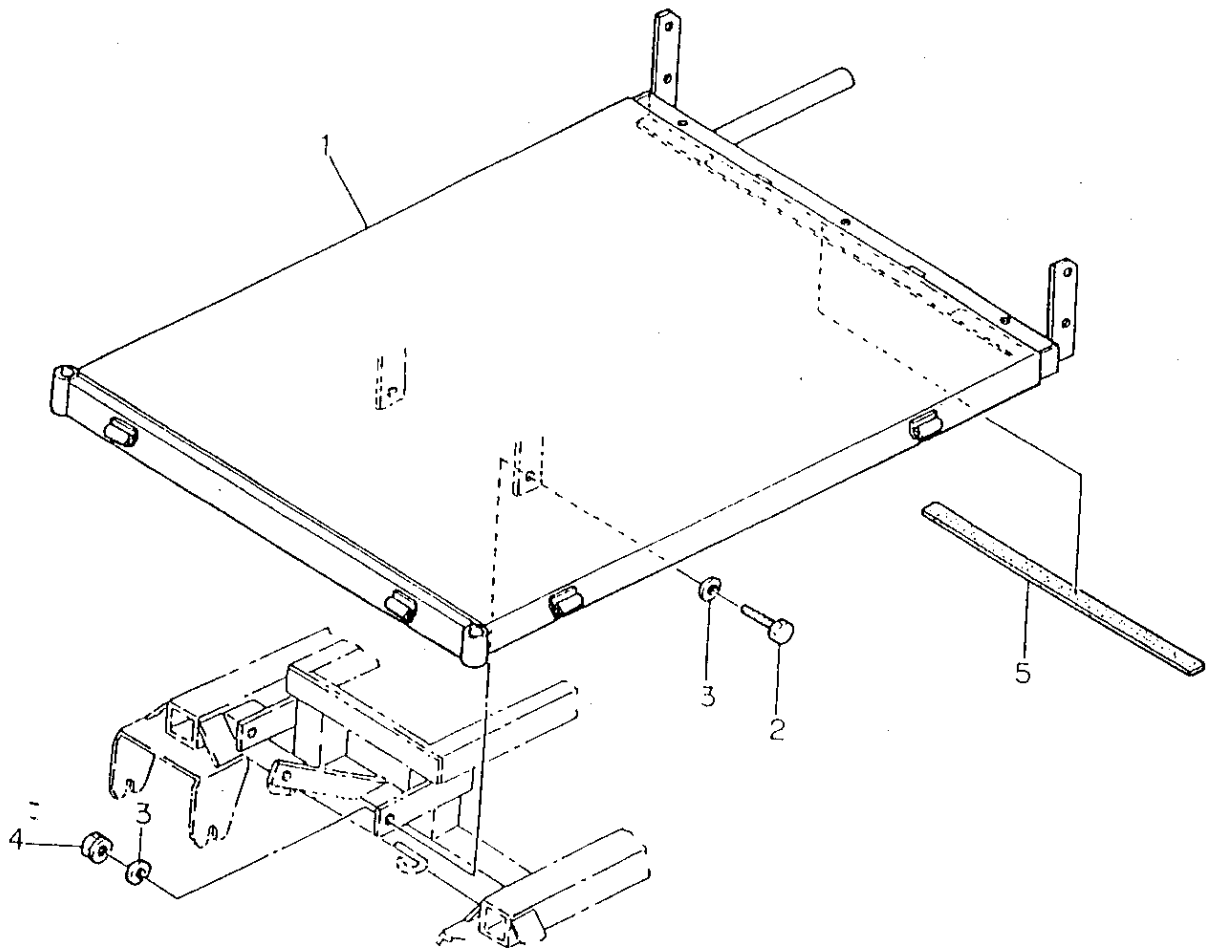
No.	Part No.	Part Description	Q' ty
1	0353-210-200-5	Frame (450) COMP	1
2	0340-301-006-0	Stopper hook pin	1
3	V300-260-012-0	Nut M12	2
4	V411-260-012-0	Washer 12	2
5	V401-160-012-0	Spring washer 12	1

FRAME (No. 2)



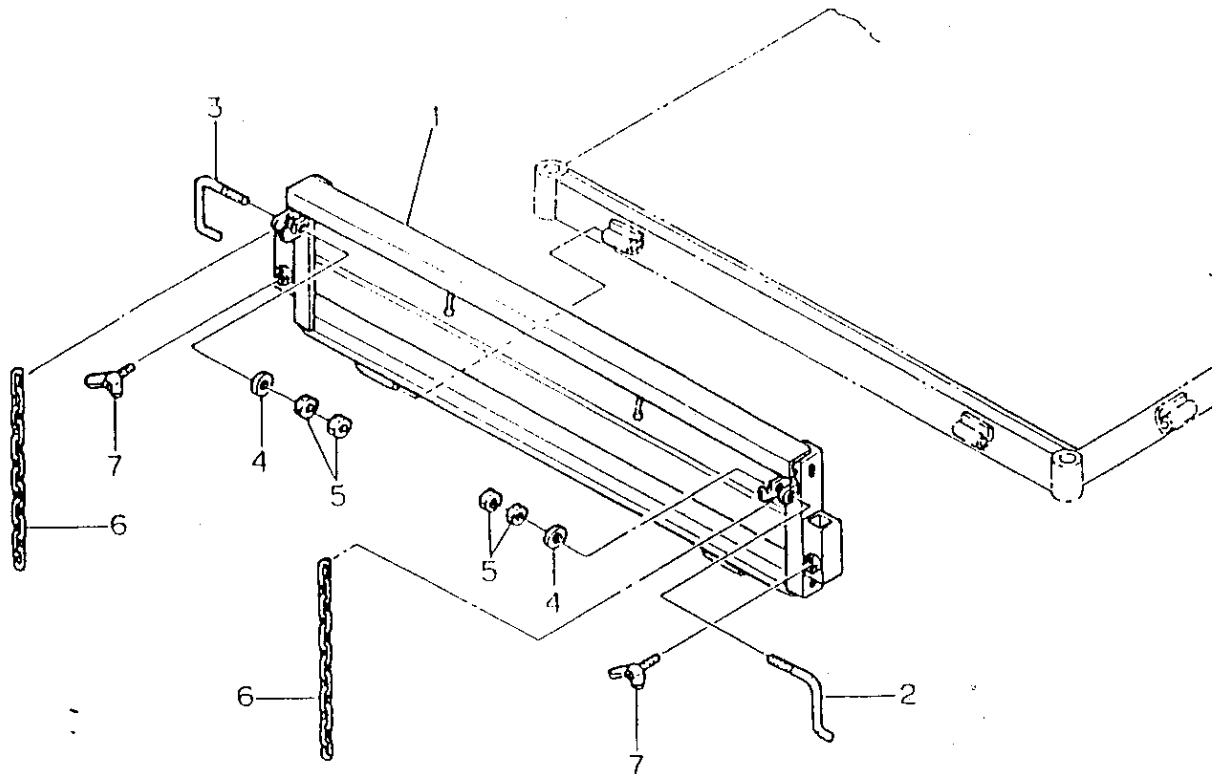
<u>No.</u>	<u>Part No.</u>	<u>Part Description</u>	<u>Q' ty</u>
1	0402-201-011-0	Handle grip 27	1
2	0353-252-210-0	Dump lever	1
3	0342-250-013-1A	Carrier lock plate	1
4	8935-004-048-0	Cover spring	1
5	V201-260-805-0	Bolt M8x50	1
6	V401-160-008-0	Spring washer 8	2
7	V304-260-008-0	Nut M8	2

FRAME (No. 3)



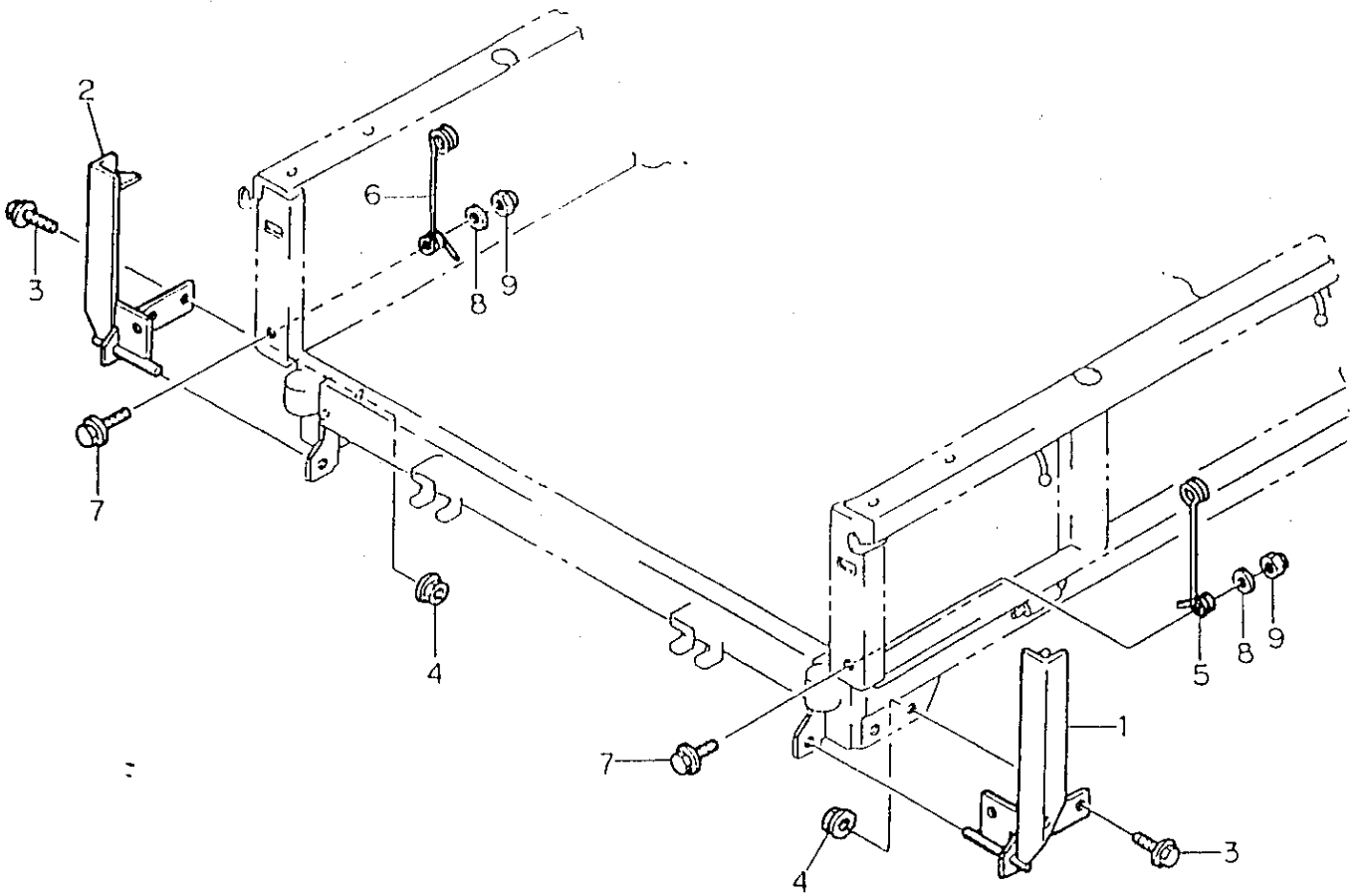
No.	Part No.	Part Description	Q' t'y
1	0353-258-200-0	Carrier (400)	1
2	V200-261-605-0	Bolt M16x50	2
3	V411-260-016-0	Washer 16	4
4	0353-250-012-0	U-nut (M16)	2
5	0342-250-012-0A	Rubber spacer 600	1

FRAME (No. 4)



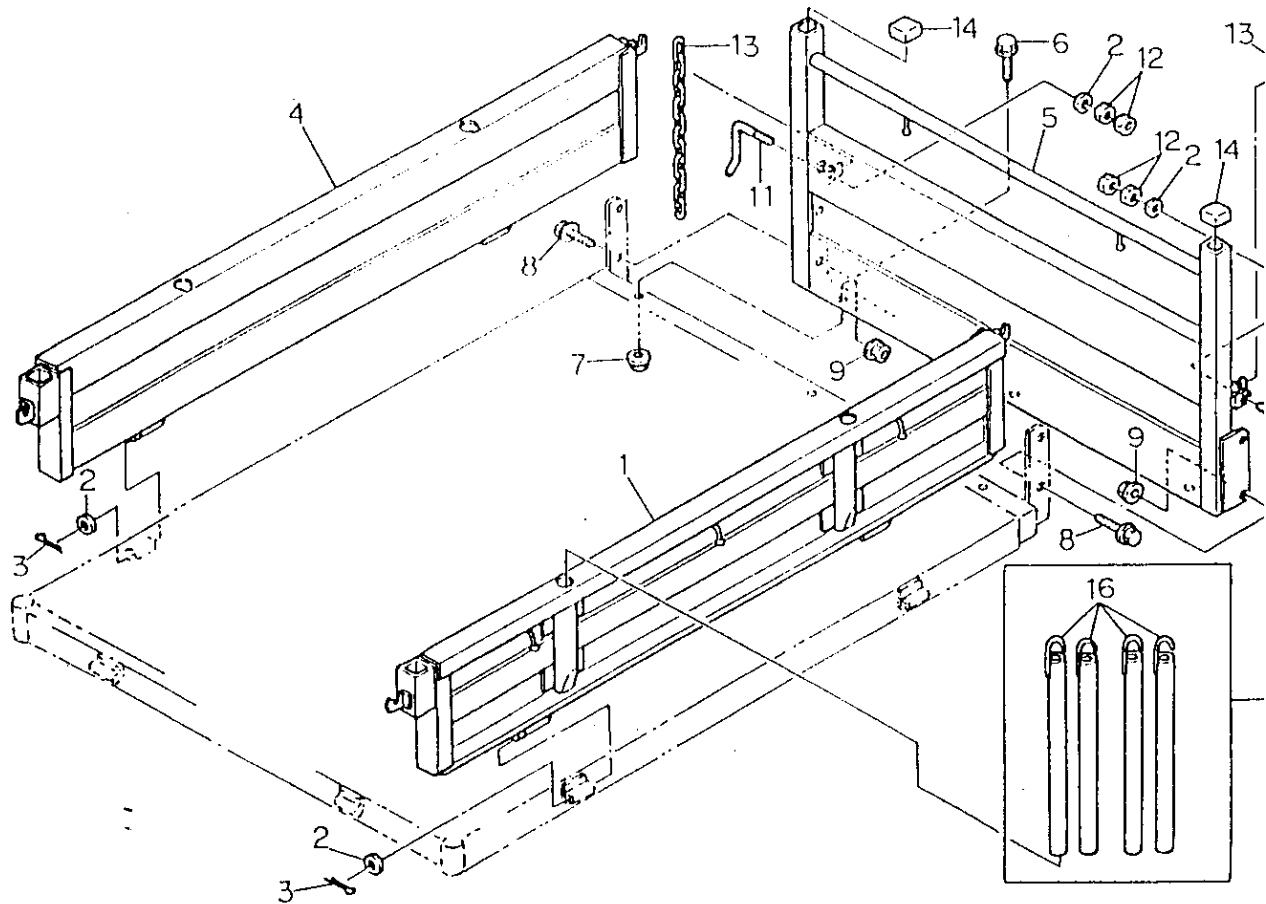
No.	Part No.	Part Description	Q' ty
1	0353-269-200-0	Front Frame COMP	1
2	0366-302-011-0	Set lever (S) L	1
3	0366-302-012-0	Set lever (S) R	1
4	V411-260-010-0	Washer 10	2
5	V304-260-010-0	Nut M10	4
6	0360-202-004-0	Fook chain	2
7	V271-160-802-0	Butterfly bolt M8x20	2

FRAME (No. 5)



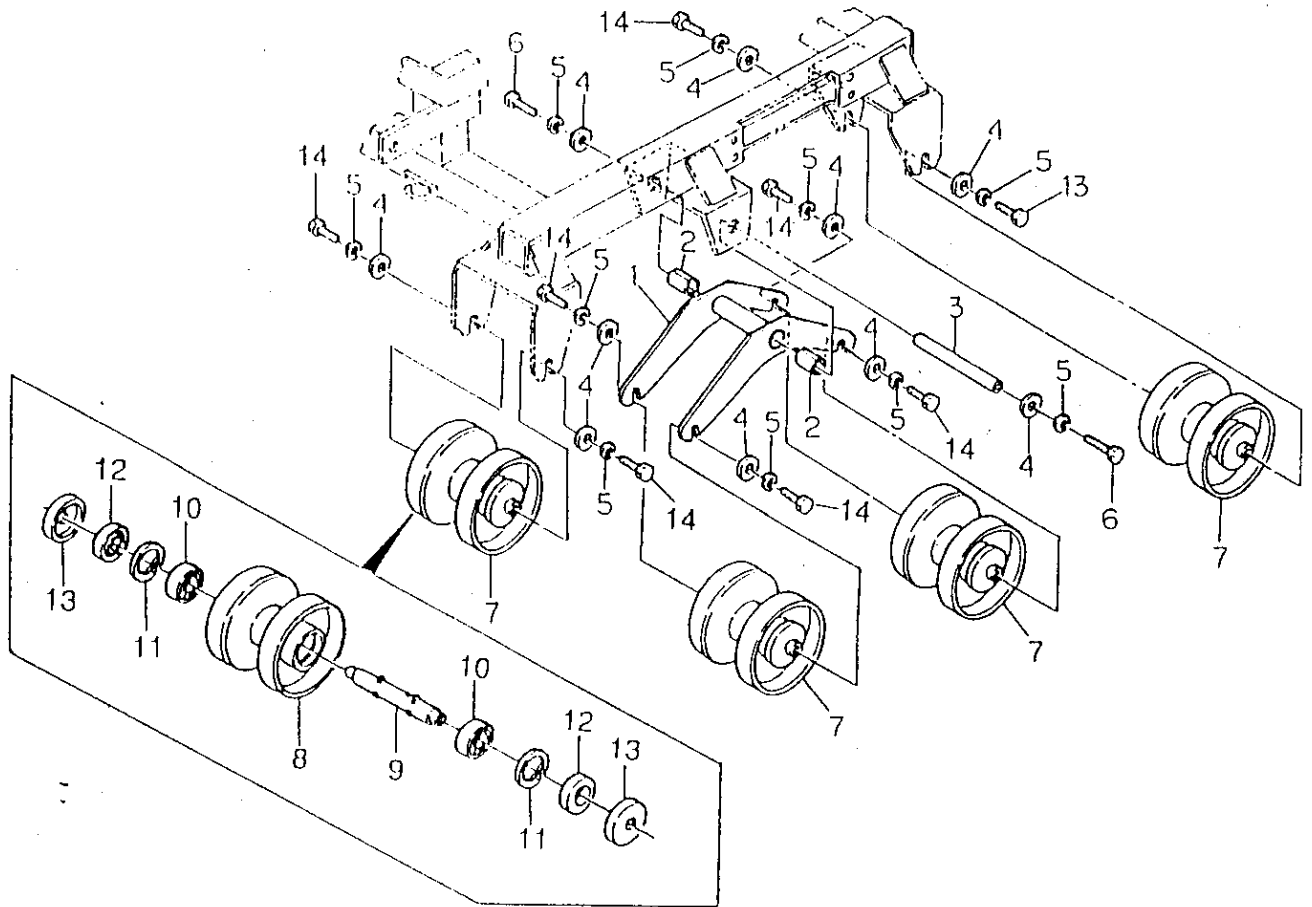
No.	Part No.	Part Description	Q' ty
1	0344-268-200-1A	Vertical locker (L)	1
2	0344-268-210-1A	Vertical locker (R)	1
3	V211-161-002-5	Bolt (P) M10x25	4
4	V362-260-010-0	Nut with washer M10	4
5	0344-268-011-1A	Spring (L)	1
6	0344-268-012-1A	Spring (R)	1
7	V211-160-802-5	Bolt (P) M8x25	2
8	V411-260-008-0	Washer 8	2
9	0331-250-016-0	U-nut (M8) 4T	2

FRAME (No. 6)



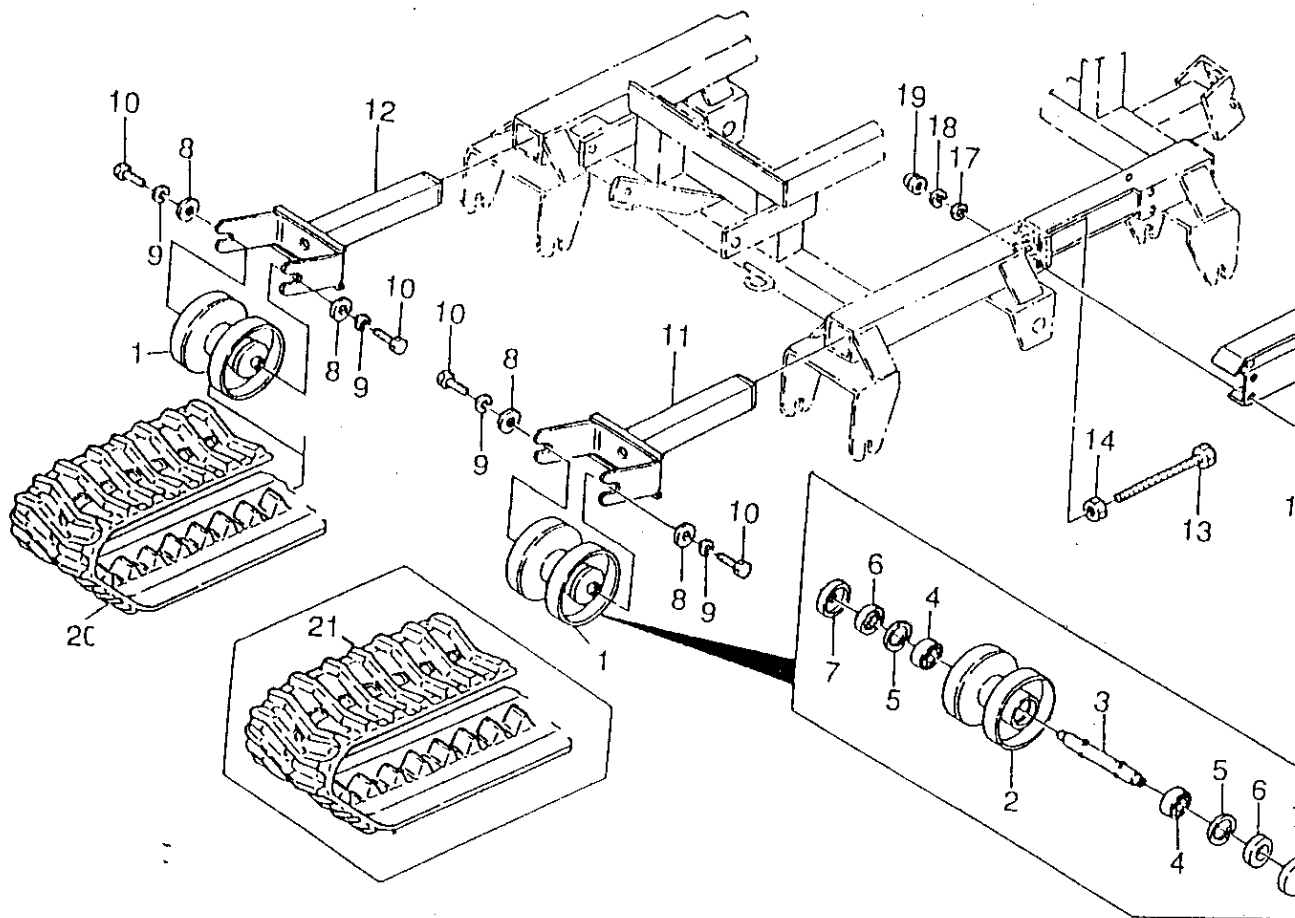
No.	Part No.	Part Description	Q'ty
1	0353-289-210-1A	Side Frame (L)	1
2	V411-280-01-0	Washer 10	4
3	V500-162-502-0	Split pin 2.5x20	2
4	0353-289-220-1A	Side Frame (R)	1
5	0353-289-232-1A	Rear Frame	1
6	V211-180-802-0	Bolt (P) M8x20	3
7	V363-260-008-0	Nut with washer M8	3
8	V211-161-002-5	Bolt (P) M10x25	4
9	V363-260-010-0	Nut with washer M10	4
10	0366-302-011-0	Set lever (S) L	1
11	0366-302-012-0	Set lever (S) R	1
12	V304-260-010-0	Nut M10	4
13	0360-202-014-0	Hook chain	2
14	0342-260-011-0	Cap 32	2
15	0453-200-220-0	Pipe SET	1
16	0432-204-240-0	Pipe	4

ROLLER (No. 1)



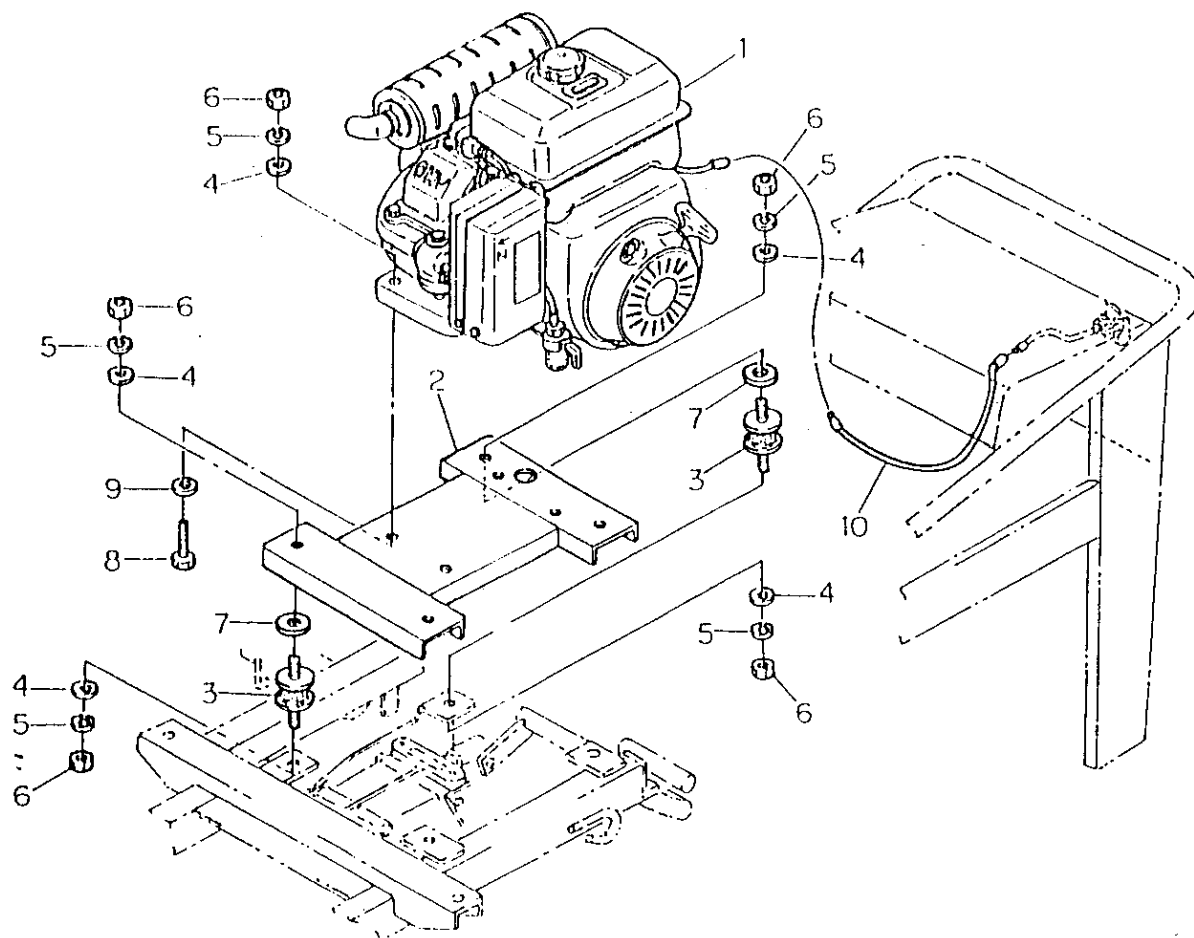
No.	Part No.	Part Description	Q' t y
1	0353-310-200-1A	Equalizer	2
2	0354-310-011-0	Bush (25x28x30)	4
3	0354-310-015-0	Equalizer fixing pin	2
4	3768-361-029-0	Washer (for rotor fixing)	20
5	V401-160-010-0	Spring washer 10	20
6	V203-461-002-5	Bolt (fine)M10x1.25x25 9T	4
7	0354-300-001-0	Roller (XG) Assy	8
8	0354-310-210-1A	Roller (150x142)	8
9	0354-310-013-1A	Shaft (20x160)	8
10	V800-110-820-4	Bearing 6204	16
11	V705-140-047-0	C-type Snap ring(Hole) 47	16
12	V740-120-470-7	Oil seal SC20477	16
13	0354-310-014-0	Dust cover	16
14	V203-461-002-0	Bolt (fine)M10x1.25x20 9T	16

ROLLER (No. 2)



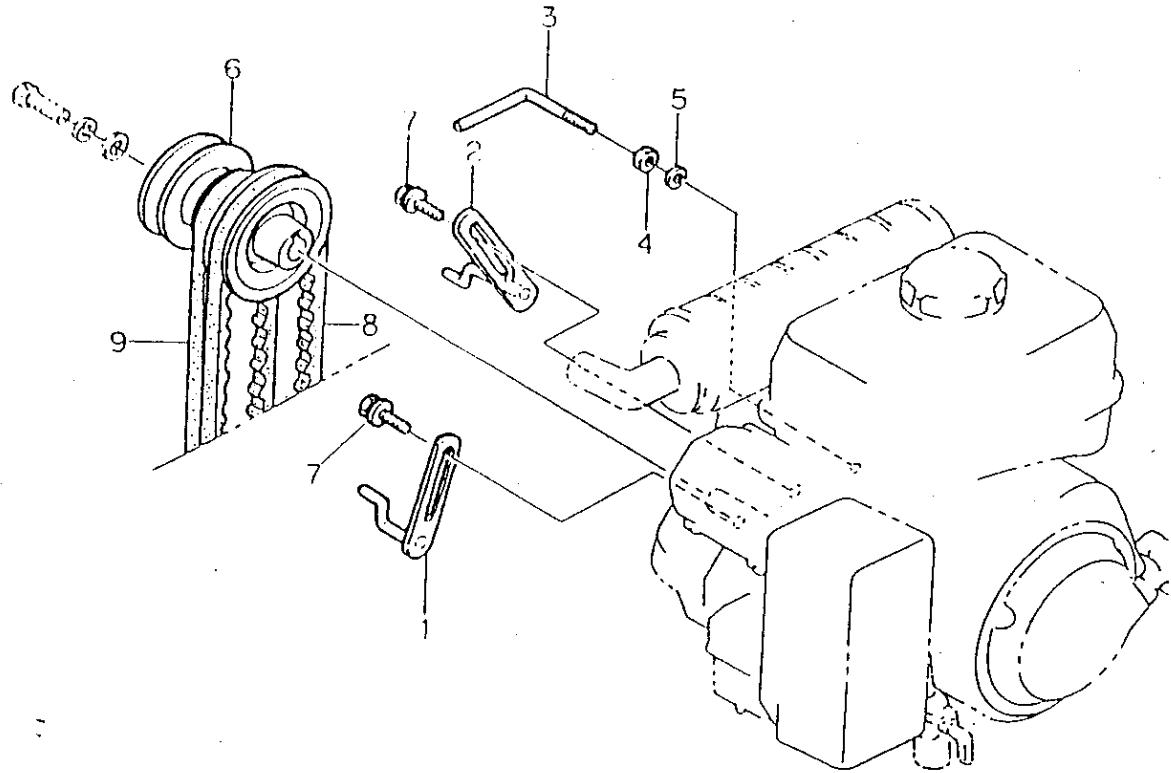
No.	Part No.	Part Description	Q'ty
1	0354-300-002-0	Idle roller (XG) Assy	2
2	0354-310-210-1A	Idle roller (150x142)	2
3	0354-330-011-1A	Idle roller shaft	2
4	V600-110-620-4	Bearing 6204	4
5	V705-140-047-0	C-type Snap ring(hole) 47	4
6	V740-120-470-7	Oil seal SC20477	4
7	0354-310-014-0	Dust cover	4
8	3768-361-029-0	Washer(for rotor fixing)	4
9	V401-160-010-0	Spring washer 10	4
10	V203-461-002-0	Bolt(fine)M10x1.25x20 9T	4
11	0353-340-200-0	Idler rod (L)	1
12	0353-340-210-0	Idler rod (R)	1
13	0354-340-011-1A	Tension bolt	2
14	V303-260-016-0	Nut M16	2
15	0354-340-220-0	Truck frame cover	2
16	V201-260-807-5	Bolt M8x75	8
17	V411-260-008-0	Washer 8	16
18	V401-160-008-0	Spring washer 8	8
19	V340-160-008-0	Cap nut M8	8
20	0353-350-200-0	Crawler 200x39x72	2

ENGINE/DRIVING (No. 1)



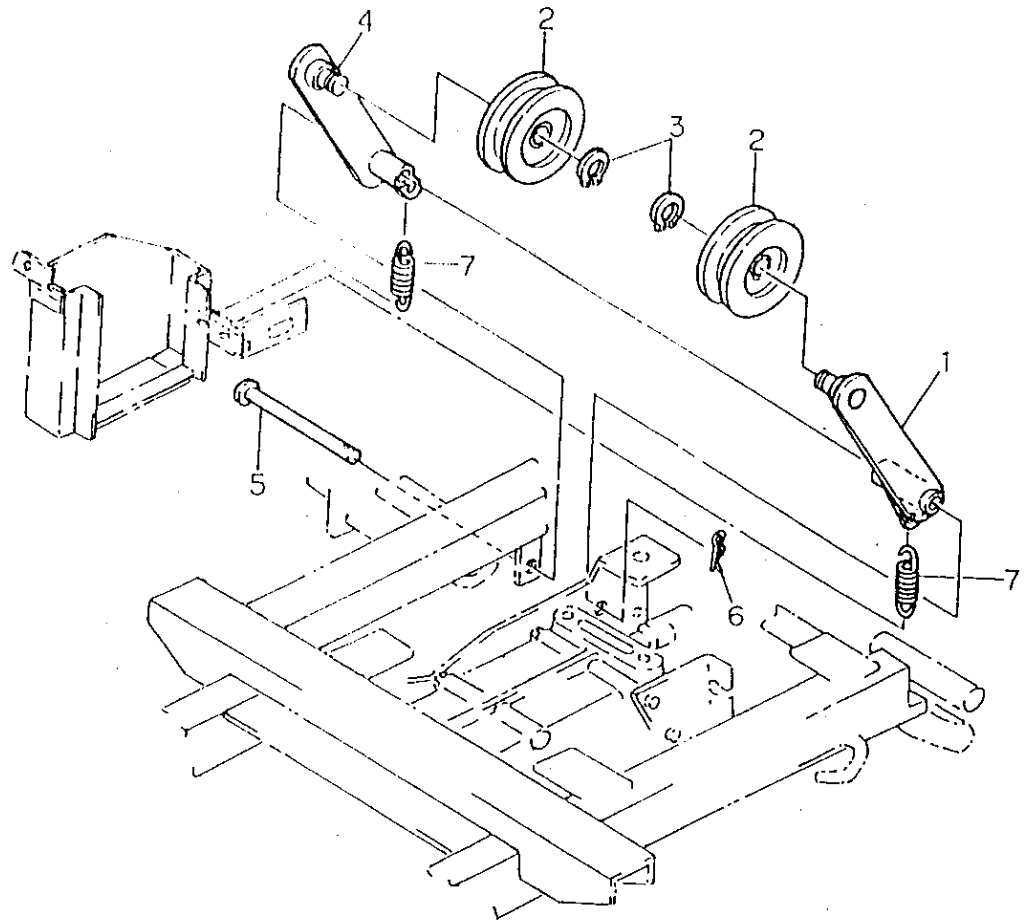
No.	Part No.	Part Description	Q' ty
1	0353-412-200-0	Engine E4.0 (Kawasaki FE120G-AE55)	1
2	0353-424-200-1A	Engine base (400)	1
3	0437-420-011-0A	Cusion rubber 40	4
4	V411-260-008-0	Washer 8	12
5	V401-160-008-0	Spring washer 8	12
6	V304-260-008-0	Nut M8	12
7	3746-621-019-0	Link (for counter pulley)	4
8	V201-260-804-5	Bolt M8x45	4
9	8935-056-025-0	Link (20)	4
10	1394-331-015-1B	Start/stop cord	1

ENGINE/DRIVING (No. 2)



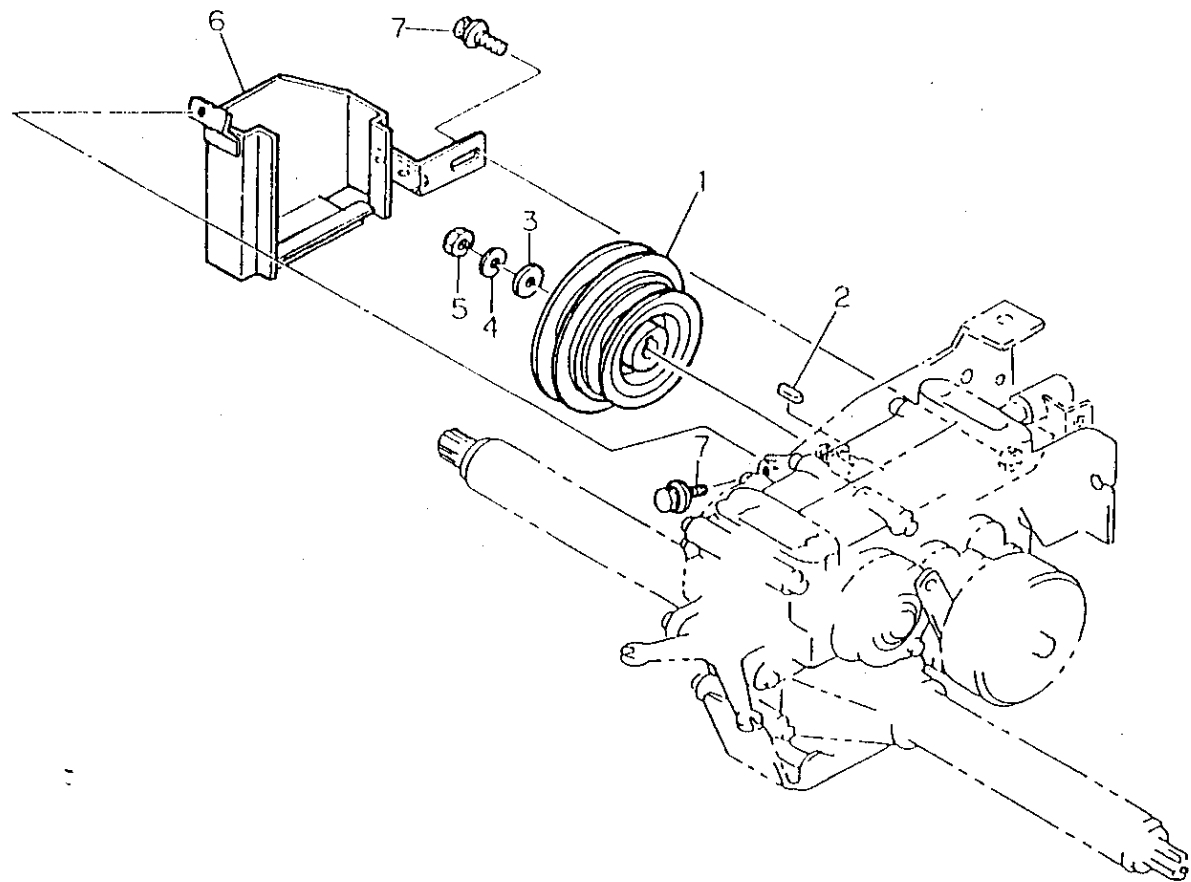
No.	Part No.	Part Description	Q' ty
1	0353-510-220-0	Belt stopper (Front)	1
2	0353-510-230-0	Belt stopper (R)	1
3	0354-510-014-1A	Belt stopper (L)	1
4	V304-260-008-0	Nut M8	1
5	V401-160-008-0	Spring washer 8	1
6	0353-510-014-1A	Engine pulley (XG400)	1
7	V211-360-801-6	Bolt (SP) M8x16	2
8	0353-510-015-0	Belt (SB29HP4)	1
9	0353-510-013-0	Belt (SB31HP4)	1

ENGINE/DRIVING (No. 3)



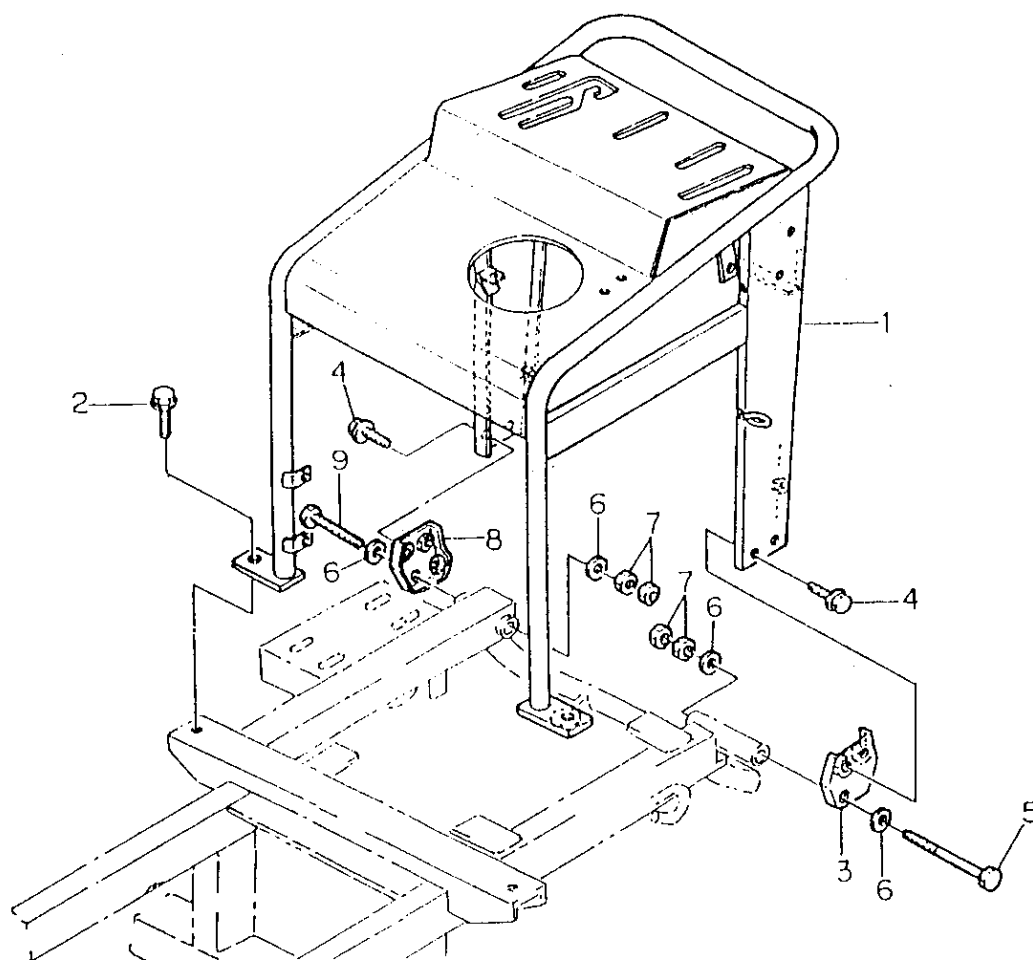
<u>No.</u>	<u>Part No.</u>	<u>Part Description</u>	<u>Q' ty</u>
1	0353-511-200-0	Tension Arm (L)	1
2	8935-004-026-0	Counter tension pully	2
3	V704-140-015-0	C-type Snap ring (Jig) 15	2
4	0353-511-210-0	Tension Arm (R)	1
5	0450-502-012-0	Clutch lever pin	1
6	1305-241-001-0A	Hair pin	1
7	8935-004-048-0	Cover spring	2

ENGINE/DRIVING (No. 4)



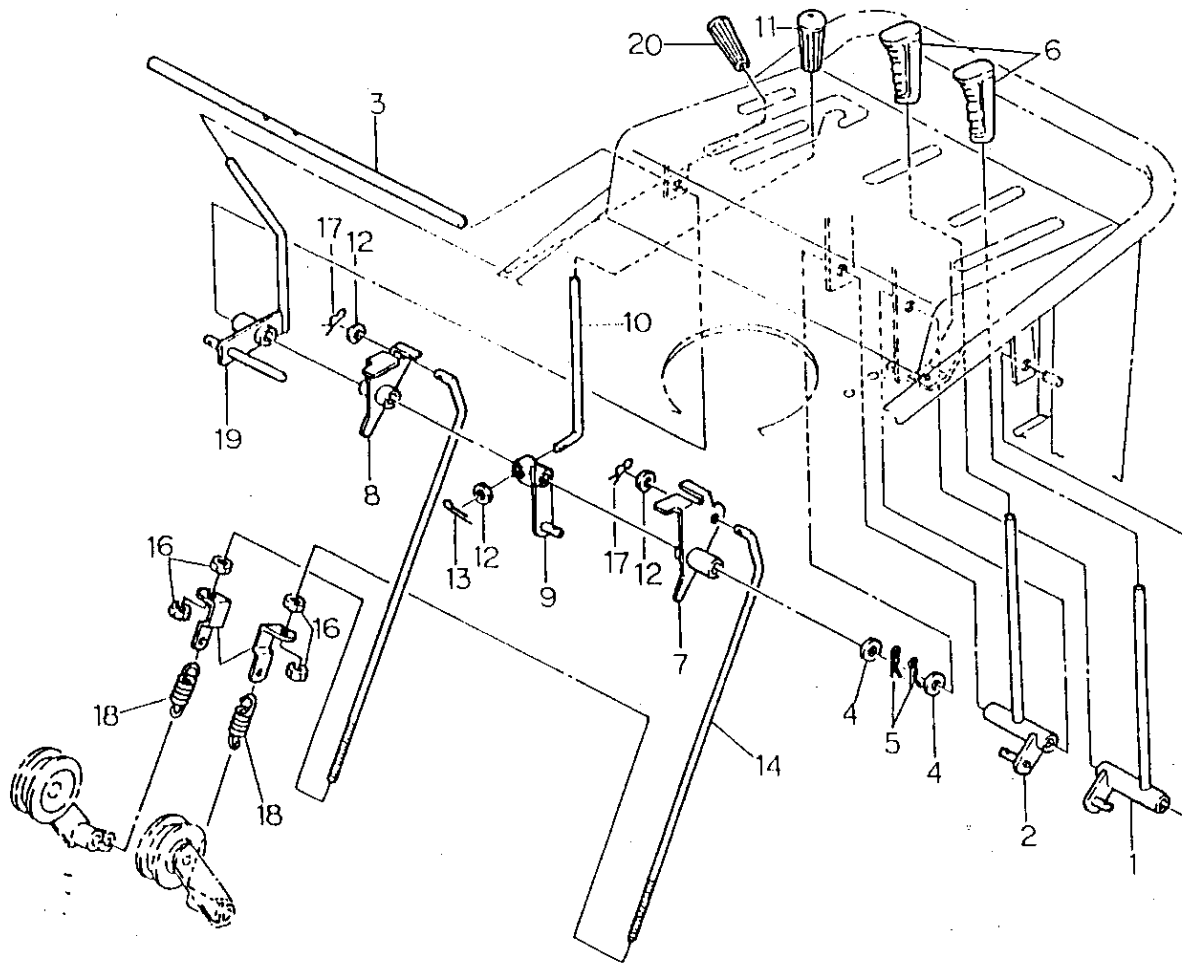
<u>No.</u>	<u>Part No.</u>	<u>Part Description</u>	<u>Q'ty</u>
1	0353-513-011-0	M-Pulley (FE120)	1
2	8935-013-015-0	Coupling key	1
3	8935-001-062-0	Metal washer	1
4	V401-160-010-0	Spring washer 10	1
5	V300-260-010-0	Nut M10	1
6	0353-512-200-1A	Belt cover	1
7	V211-360-802-0	Bolt (SP) M8x20	2

COVER (No. 1)



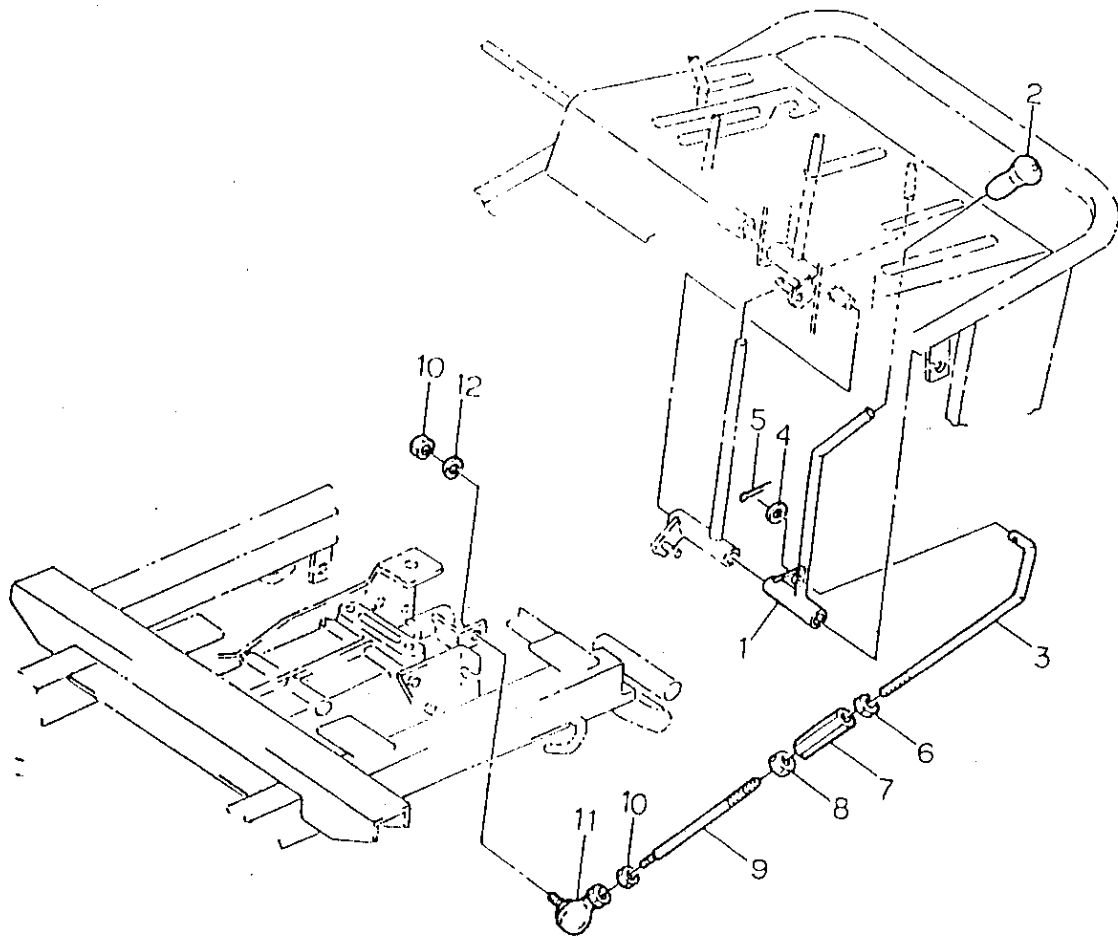
No.	Part No.	Part Description	Q' ty
1	0353-620-200-5E	Handle (450)	1
2	V211-361-002-5	Bolt (SP) M10x25	2
3	0353-620-210-0	Handle lower cover (L)	1
4	V211-360-802-0	Bolt (SP) M8x20	4
5	V201-261-213-0	Bolt M12x130	1
6	V411-260-012-0	Washer 12	4
7	V304-260-012-0	Nut M12	4
8	0353-620-220-0	Handle lower cover (R)	1
9	V201-261-209-0	Bolt M12x90	1

COVER (No. 2)



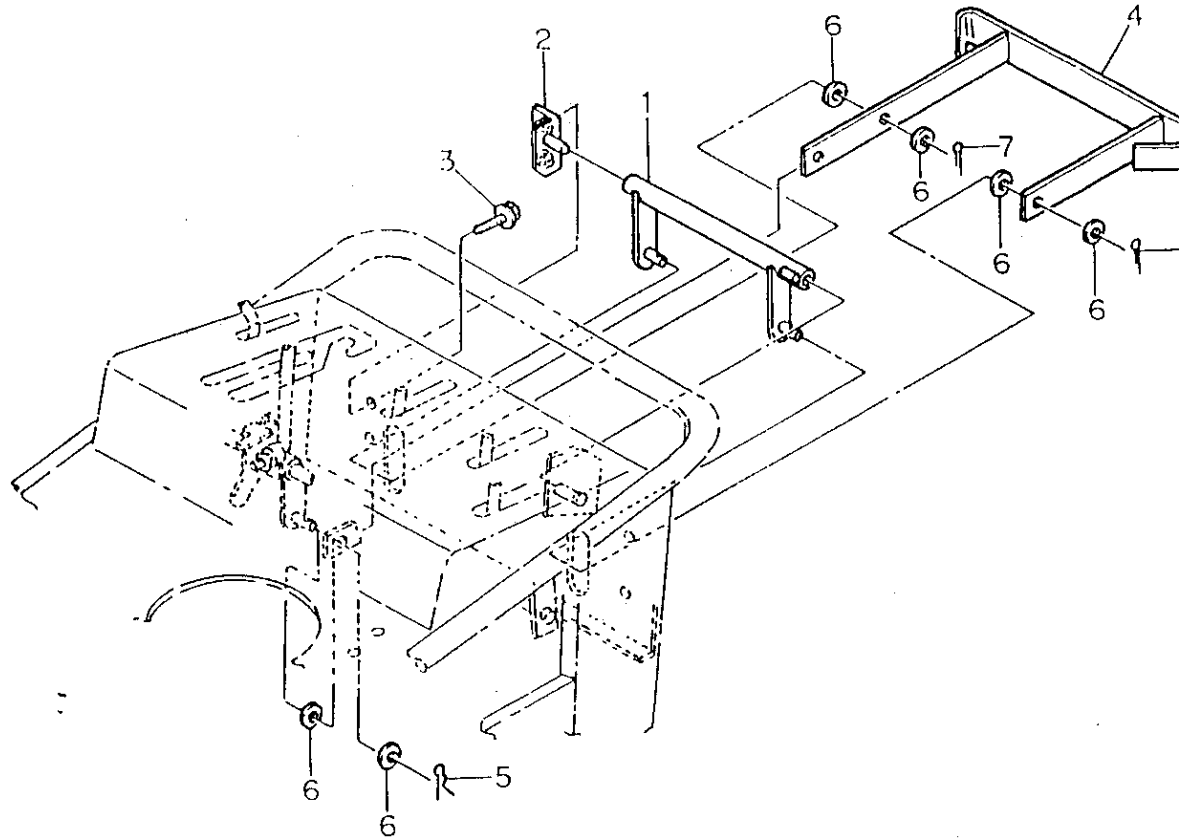
No.	Part No.	Part Description	Qty
1	0353-623-200-1A	Side Clutch (L)	1
2	0353-623-210-1A	Side Clutch (R)	1
3	0354-624-013-0	Lever point bar	1
4	V411-260-012-0	Washer 12	2
5	1305-241-001-0A	Hair pin	2
6	0366-252-012-0	Grip	2
7	0354-624-230-0	Clutch arm (L)	1
8	0354-624-240-1A	Clutch arm (R)	1
9	0354-624-250-2B	Tension lever point	1
10	0354-624-016-1A	Clutch lever	1
11	2101-230-001-0A	Grip	1
12	V411-260-010-0	Washer 10	3
13	V500-162-502-0	Split pin 2.5x20	1
14	0353-623-011-0	Clutch rod	2
15	0342-623-012-0	Clutch rod plate	2
16	V304-260-010-0	Nut M10	4
17	8935-009-013-0	Hair pin (for wire hook)	2
18	1337-401-006-0C	Main clutch spring	2
19	0353-623-220-0	Brake lever	1
20	1111-410-013-0	Grip, red	1

COVER (No. 3)



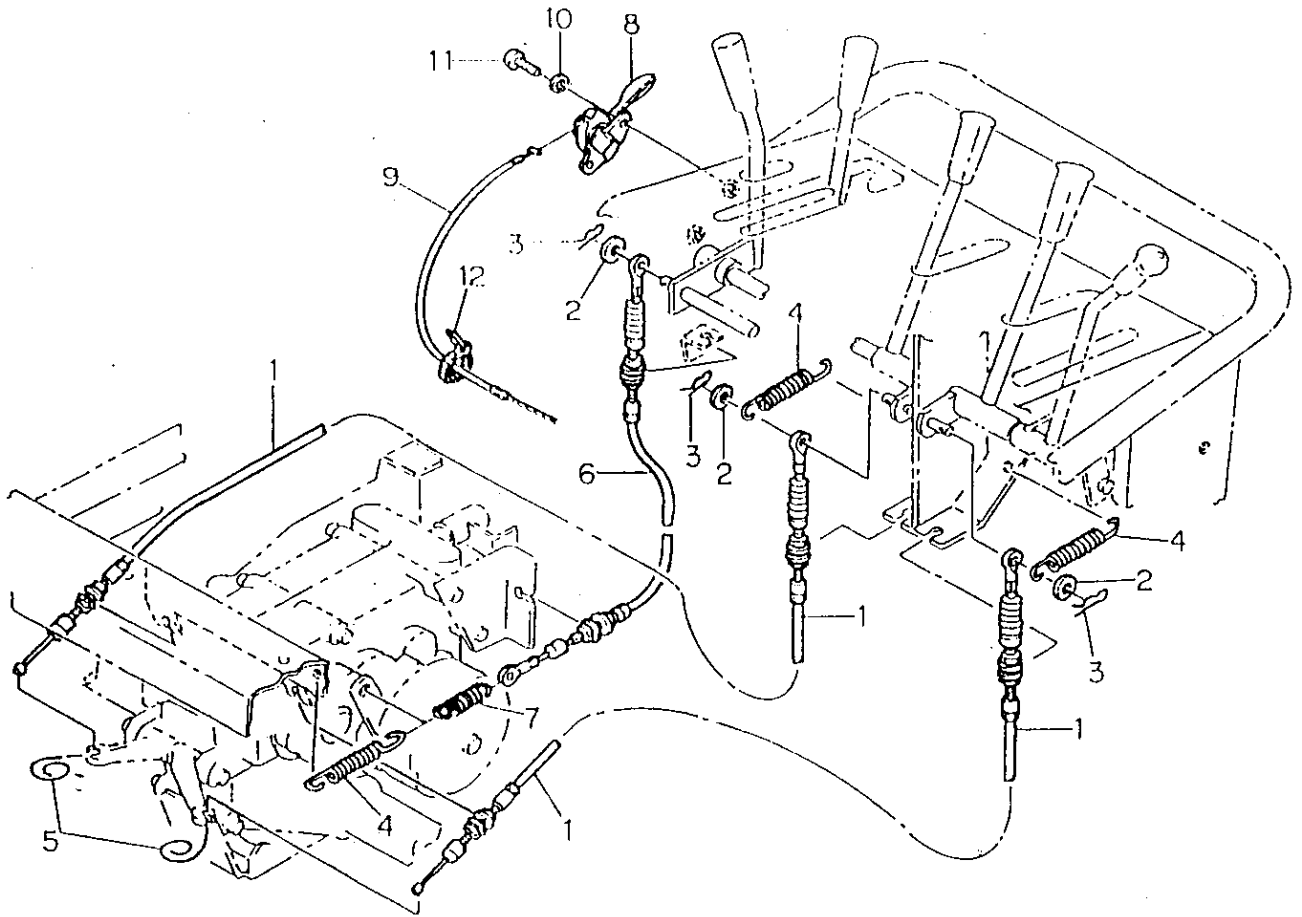
No.	Part No.	Part Description	Q'ty
1	0353-623-230-1A	Change lever	1
2	3517-105-004-0	Lever grip	1
3	0353-623-012-0	Change rod upper	1
4	V411-260-010-0	Washer 10	1
5	V500-162-502-0	Split pin 2.5x20	1
6	V300-260-010-0	Nut M10	1
7	0351-623-014-0	Adjust nut	1
8	0375-611-014-0	Nut (Left) M10	1
9	0353-623-013-0	Change rod lower	1
10	V304-260-008-0	Nut M8	2
11	0329-141-021-0	Rod end bearing	1
12	V401-160-008-0	Spring washer 8	1

COVER (No. 4)



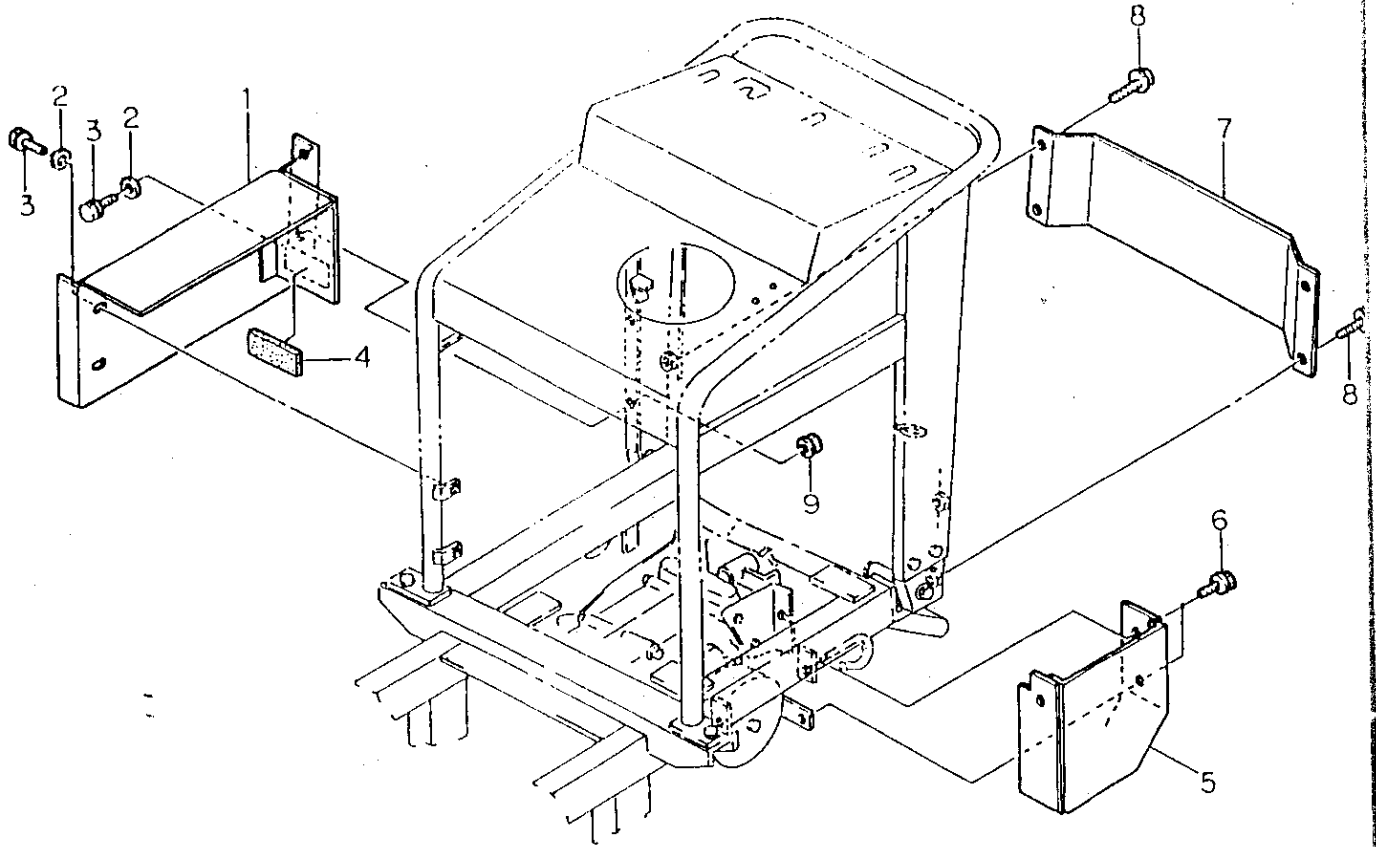
<u>No.</u>	<u>Part No.</u>	<u>Part Description</u>	<u>Q'ty</u>
1	0354-623-210-2B	Dead-man point bar	1
2	0354-623-200-1A	Point holder	1
3	V211-360-802-0	Bolt (SP) M8x20	2
4	0354-623-220-0	Dead-Man handle	1
5	1305-241-001-0A	Hair pin	1
6	V411-260-010-0	Washer 10	6
7	V500-162-502-0	Split pin 2.5x20	2

COVER (No. 5)



No.	Part No.	Part Description	Q' ty
1	0343-625-011-0A	Cable (Side clutch)	2
2	V411-260-008-0	Washer 8	3
3	8935-009-013-0	Hair pin	3
4	0343-625-012-0	Spring (HE085)	3
5	3536-111-008-0	Wire	2
6	0343-628-011-1B	Cable (Brake)	1
7	0661-640-015-0	Spring (HE045)	1
8	3100-320-200-0A	Throttle lever	1
9	0432-152-200-0	Cable (Throttle)	1
10	V411-260-006-0	Washer 6	2
11	V120-266-001-6	Screw (S) M6x16	2
12	3536-142-008-1	Wire fixing metal	1

COVER (No. 6)



<u>No.</u>	<u>Part No.</u>	<u>Part Description</u>	<u>Q' ty</u>
1	0353-630-200-1A	Belt cover	1
2	3789-151-006-0	Washer	4
3	V210-260-601-6	Bolt (S) M6x16	4
4	0353-630-011-0	Rubber spacer #60	1
5	0353-632-200-1A	Brake cover	1
6	V210-360-601-2	Bolt (SP) M6x12	3
7	0354-630-011-1A	Foot cover	1
8	V211-380-802-0	Bolt (SP) M8x20	4
9	V361-260-006-0	Nut with washer M6	2