

DEC 13 2002

PARTS LIST

Model: XG250H-PA



MARUYAMA

MARUYAMA MFG. CO., INC.

4-15, Uchikanda, 3-Chome,
Chiyoda-ku, Tokyo 101-0047
Japan

PHONE +81-3-3252-2285

FAX +81-3-3252-2253

<http://www.maruyama.co.jp>

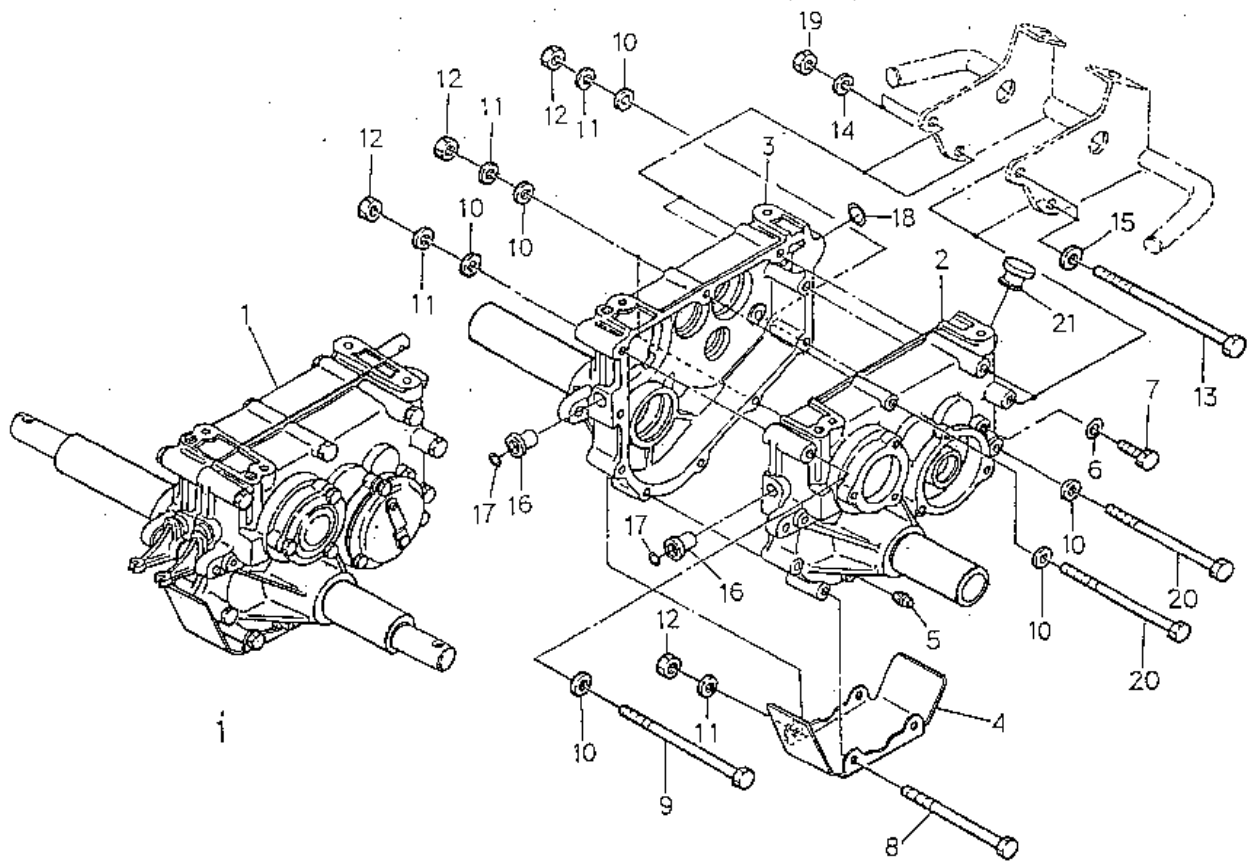
INDEX

(Model XG250H-PA)

Transmission (No. 1)	Page	1
Transmission (No. 2)	Page	2
Transmission (No. 3)	Page	3
Transmission (No. 4)	Page	4
Transmission (No. 5)	Page	5
Transmission (No. 6)	Page	6
Frame (No. 1)	Page	7
Frame (No. 2)	Page	8
Frame (No. 3)	Page	9
Side Door (XG250H-PA)	Page	10
Roller, Crawler (No. 1)	Page	11
Roller, Crawler (No. 2)	Page	12
Engine	Page	13
Driving (No. 1)	Page	14
Driving (No. 2)	Page	15
Lever, Cover (No. 1)	Page	16
Lever, Cover (No. 2)	Page	17
Lever, Cover (No. 3)	Page	18
Lever, Cover (No. 4)	Page	19
Lever, Cover (No. 5)	Page	20

TRANSMISSION (No.1)

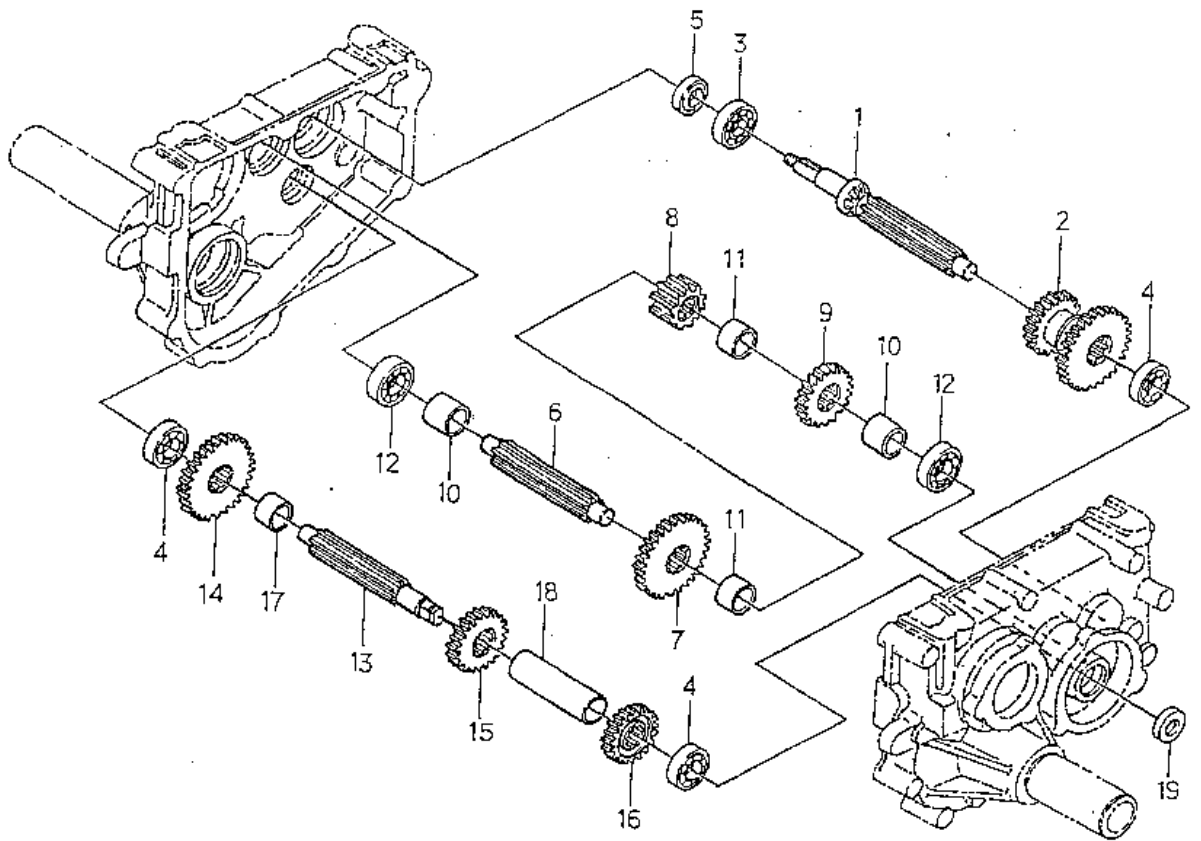
No.1 ギャーボックス関係 (その1)



No.	Part No.	Part Description	Q'ty
1	0337-100-400-0	Transmission ASSY	1
2	0337-110-200-0	Gear case(L) COMP	1
3	0337-110-210-0	Gear case(R) COMP	1
4	0343-115-011-0	Under guard	1
5	3614-101-005-0A	Pug	1
6	V720-101-900-6	Oring P6	1
7	V200-260-601-0	Bolt M6 x 10	1
8	V201-260-809-0	Bolt M8 x 90	3
9	V201-260-812-5	Bolt M8 x 125	1
10	V411-260-008-0	Washer 8	10
11	V401-160-008-0	Spring washer 8	7
12	V304-260-008-0	Nut M8	7
13	V201-261-016-0	Bolt M10 x 160	2
14	V401-160-010-0	Spring washer 10	2
15	8935-058-026-0A	Washer for spring	2
16	3740-111-030-0	Push rod metal	2
17	V720-101-901-0	Oring P10	2
18	V720-102-401-6	Oring P16	1
19	V304-260-010-0	Nut M10	2
20	V201-260-811-5	Bolt M8 x 115	3
21	3560-102-029-1A	Oil cap	1

TRANSMISSION (No.2)

No.1 ギャーボックス関係 (その2)



No.	Part No.	Part Description	Q'ty
1	0337-110-015-0	Input shaft (A)	1
2	0337-110-016-0	Change gear (25-37)	1
3	V600-110-630-3	Bearing 6303	1
4	V600-110-620-2	Bearing 6202	3
5	V7444-117350-8	Oil seal TC17358	1
6	0337-110-017-0	Counter shaft (A)	1
7	0337-110-018-0	Counter gear 45 (A)	1
8	0337-110-019-0	Counter gear 10 (A)	1
9	0337-110-021-0	Counter gear 33 (A)	1
10	0337-110-022-0	Collar (15)	2
11	0337-110-023-0	Collar (11)	2
12	V600-110-620-3	Bearing 6203	2
13	0337-110-024-0	Back counter shaft (A)	1
14	0337-110-025-0	Back gear 43 (A)	1
15	0337-110-026-0	Back gear 31 (A)	1
16	0337-110-027-0	Back gear 31 (A-2)	1
17	0337-110-028-0	Collar (8)	1
18	0337-110-029-0	Collar (55)	1
19	V744-115-300-7	Oil seal TC15307	1

TRANSMISSION (No.3)

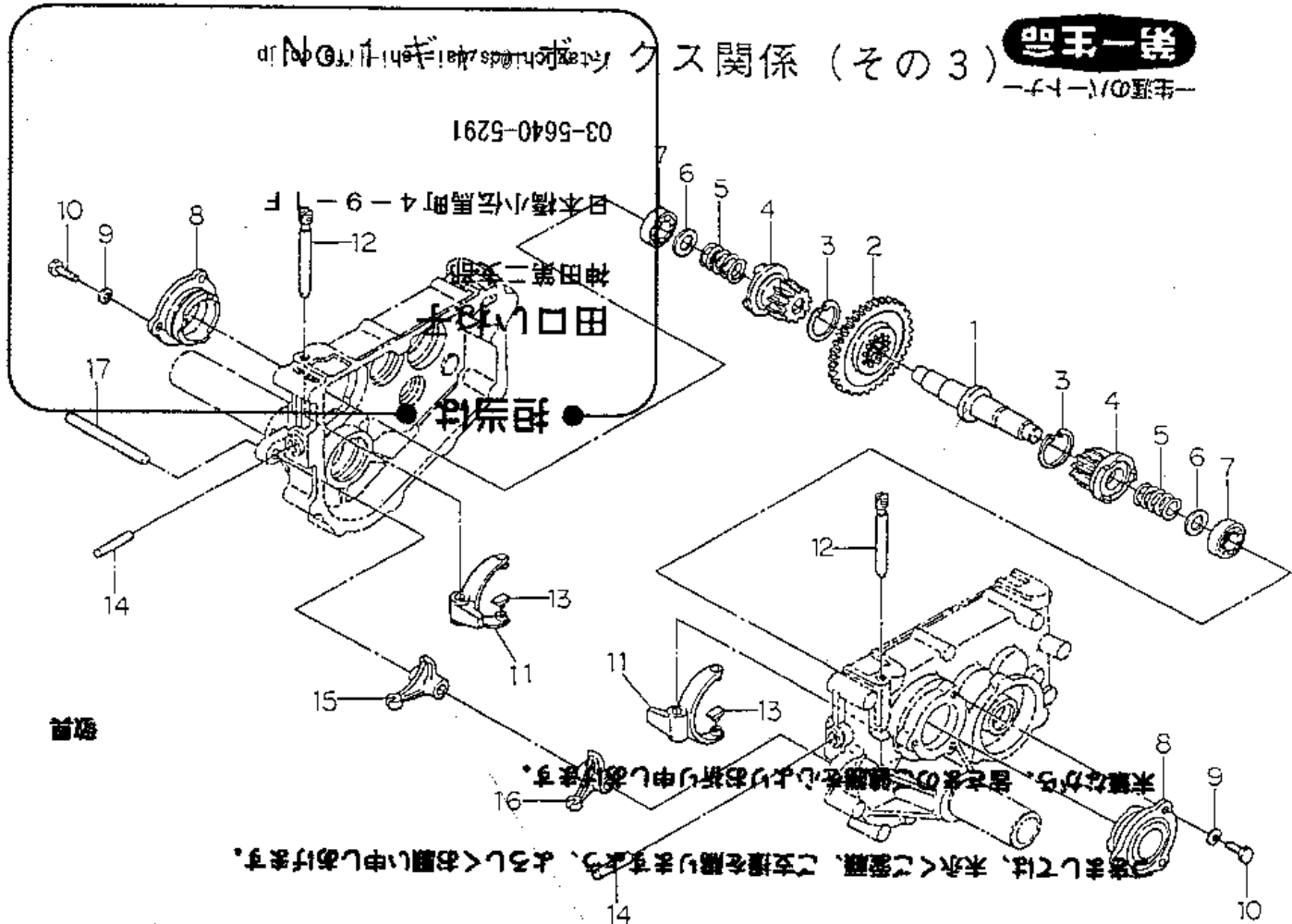
第一主部
一生涯のパートナー

関係ス ク (その 3)

株式会社 田口 田口 田口

03-5640-5291

日本橋小伝馬町 4-9-9 F



※ましては、未永くご愛顧、ご支援を賜りますよう、よろしくお願ひ申しあげます。
 末永くご愛顧を心よりお祈り申しあげます。

今後とも「一生涯のパートナー」として、お客さまお一人おひとりの生涯設計の充実をめざして、きめ細かなコンサルティングと、真にお客さまの求める商品・サービスを提供してまいりたいと思ひます。

No.	Part No.	Part Description	数量
1	0312-630-238-0	Pin (12 x 90)	1
2	0343-110-014-0A	Shifter arm pin	2
3	V705-140-037-0	Center gear (195)	2
4	0337-110-012-0	Snap ring (hole) 37	2
5	3740-011-023-0A	Clutch gear (250)	2
6	3740-111-024-0	Clutch spring holder	2
7	V600-110-620-3	Bearing 6203	2
8	0317-110-015-0A	Brake metal	2
9	V401-160-008-0	Spring washer 8	6
10	3737-111-031-0	Bolt (seal lock)	6
11	3100-107-001-0	Shifter arm	2
12	0343-110-014-0A	Shifter arm pin	2
13	703-101-020-0	Shifter collar	4
14	740-111-049-0	Side clutch arm (L)	2
15	740-111-049-0	Side clutch arm (R)	1
16	3740-111-050-0	Side clutch arm (R)	1
17	0312-630-238-0	Pin (12 x 90)	1

新任担当のお願い



TRANSMISSION (No.4)

270467

ta橋 良宏

No.1 ギヤボックス関係 (その4)

差出人: Brian Emch [Brian.Emch@toro.com]

送信日時: 2005年9月7日水曜日 11:27

宛先: ta橋 良宏

件名: Bag Kits

Dear Mr. Tachibana,

- 1) We have plenty of these in inventory
- 2) 40 of these would roughly be 1 skid @ about 325 lbs, 46" x 34" x 81" and 1 skid @ about 110 lbs, 46" x 34" x 40". (One box weights 7 lbs and is 15" x 11 x 27). Hopefully your forwarder can make quotes for you. We use Superior Freight. If they want to use our preferred ff, we can get a quote from them.
- 3) Price on the bag, I am still negotiating a price. Should know tomorrow.
- 4) I talk to my boss about including the bag in the carton. I was unable to get in touch with the marketing people on this. I should be able to contact them today.

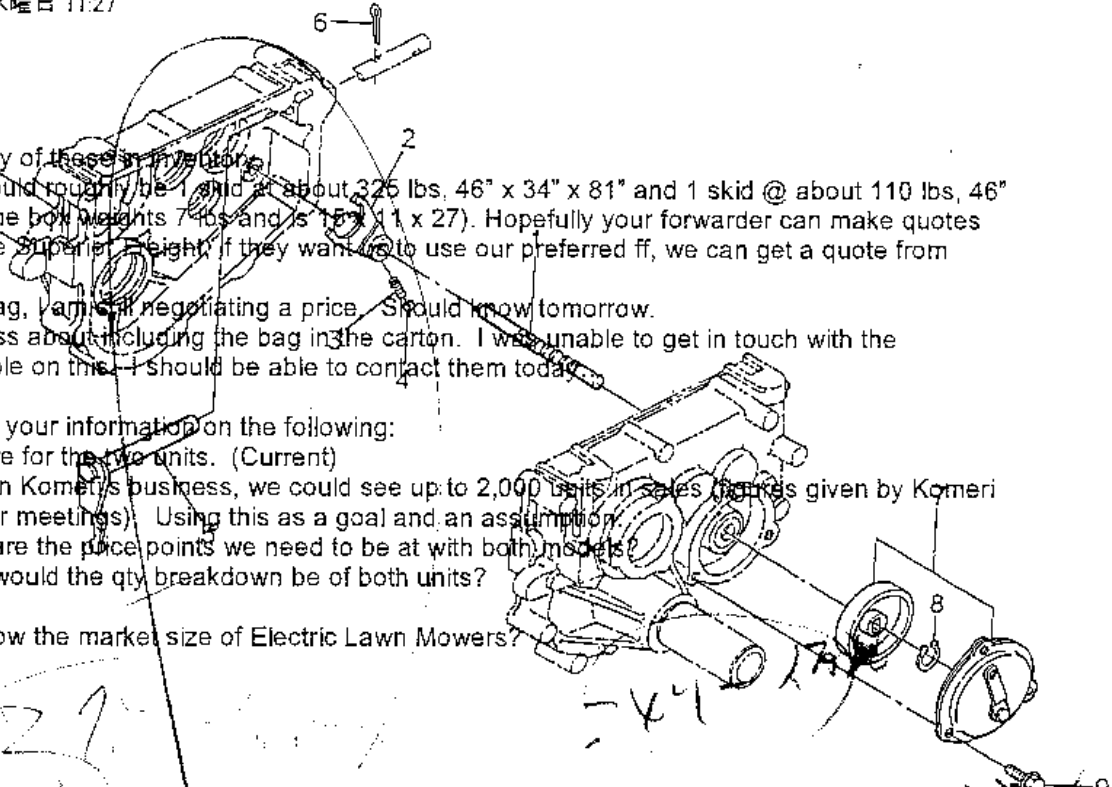
Please provide me with your information on the following:

- A) Pricing structure for the two units. (Current)
- B) If we can obtain Komeri's business, we could see up to 2,000 units in sales figures given by Komeri in several of our meetings. Using this as a goal and an assumption:
 - a. What are the price points we need to be at with both models?
 - b. What would the qty breakdown be of both units?

Others:

- C) Did Komeri know the market size of Electric Lawn Mowers?

Regards
Brian



価格構成(体系) 20009 20017の2行
 JX9-は 2,000台を売ると思われました。

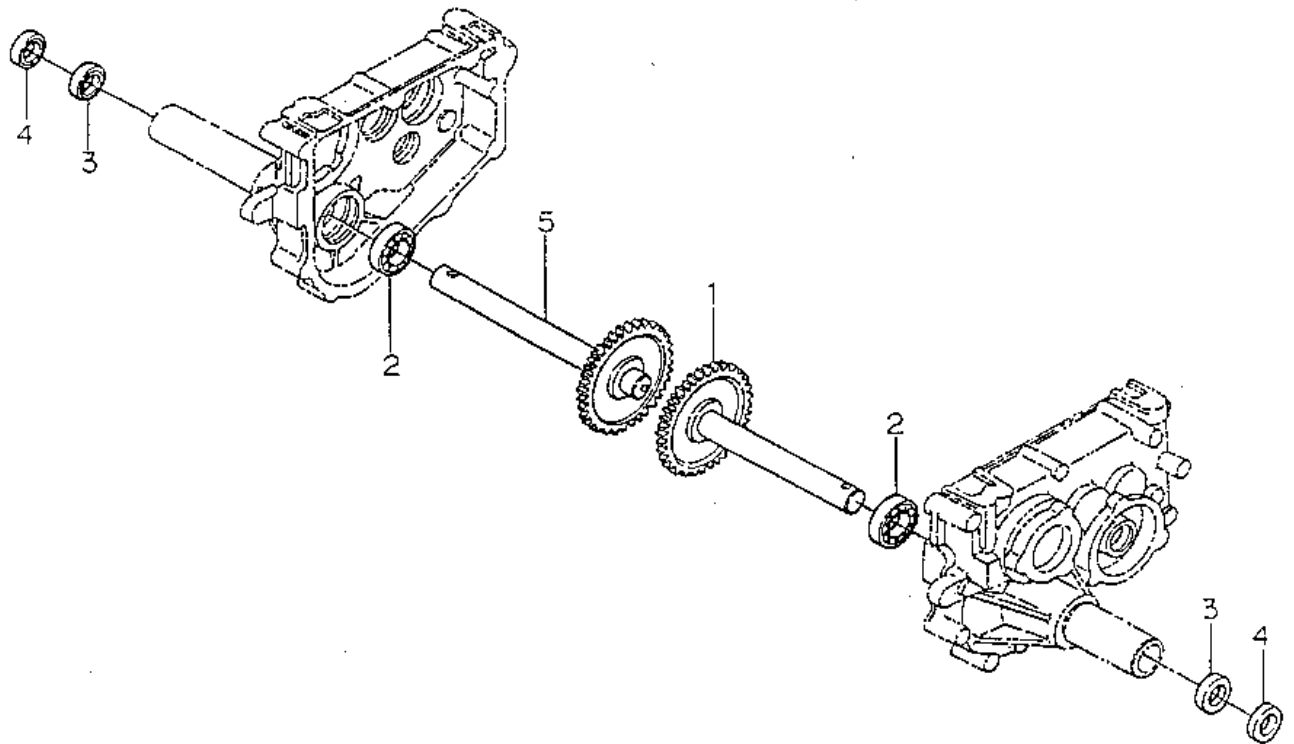
No.	Part No.	Part Description	Q'ty
1	0337-110-031-0	Change shifter rod (A)	1
2	0337-110-032-0	Change shifter (A)	1
3	1122-231-016-08	Spring (HC020)	1
4	V682-200-000-8	Steel ball, 1/4"	1
5	0337-110-400-0	Change gear (A) COMP	1
6	V500-164-003-0	Split Bin 4 x 30	1
7	3100-214-200-0A	Brake ASSY	1
8	V704-140-014-0	Snap ring (jig) 14	1
9	V211-260-802-0	Bolt (S) M8 x 20	1

見直し

2X1

TRANSMISSION (No.5)

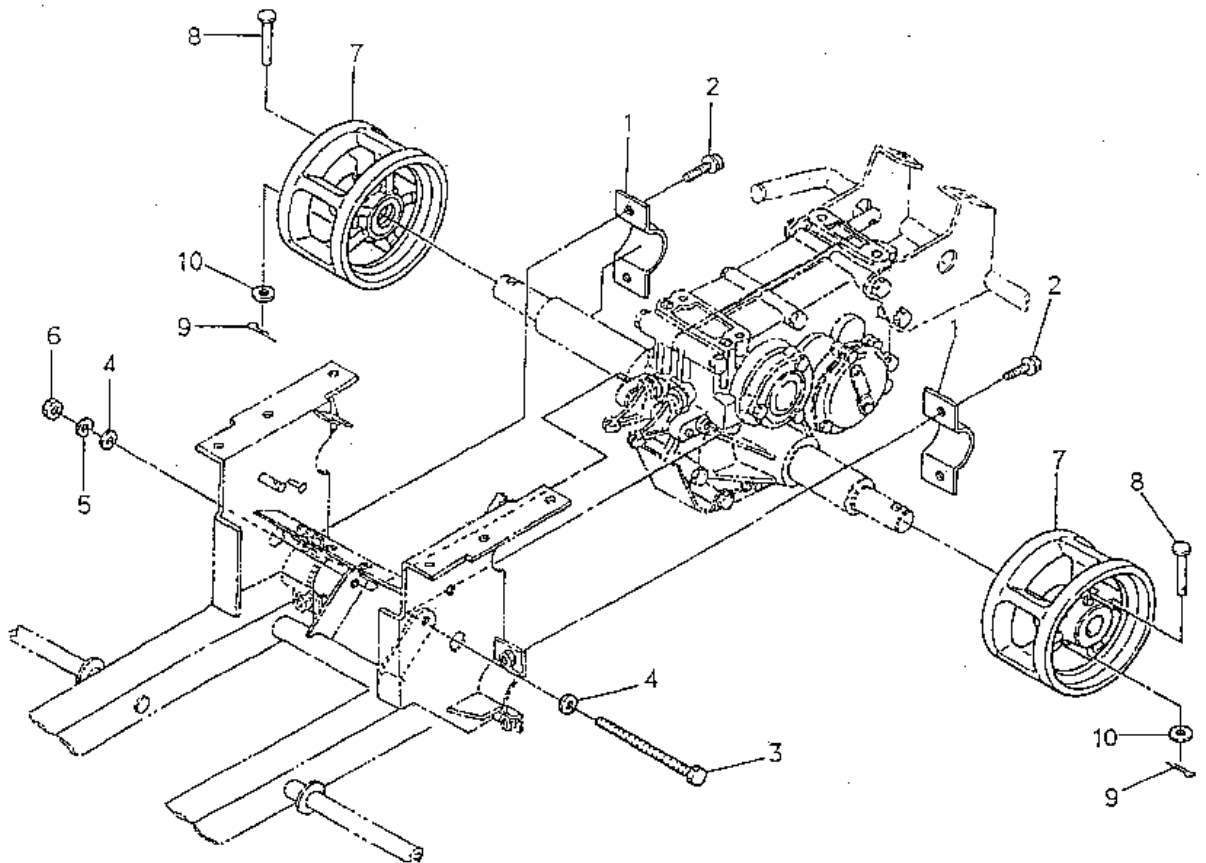
No.1 ギャーボックス関係 (その5)



<u>No.</u>	<u>Part No.</u>	<u>Part Description</u>	<u>Q'ty</u>
1	0337-111-200-0	Wheel shaft (L) COMP	1
2	V600-110-620-5	Bearing 6205	2
3	V744-125-350-7	Oil seal TC25357	2
4	V742-125-350-5	Oil seal VC25355	2
5	0337-111-210-0	Wheel shaft (R) COMP	1

TRANSMISSION (No.6)

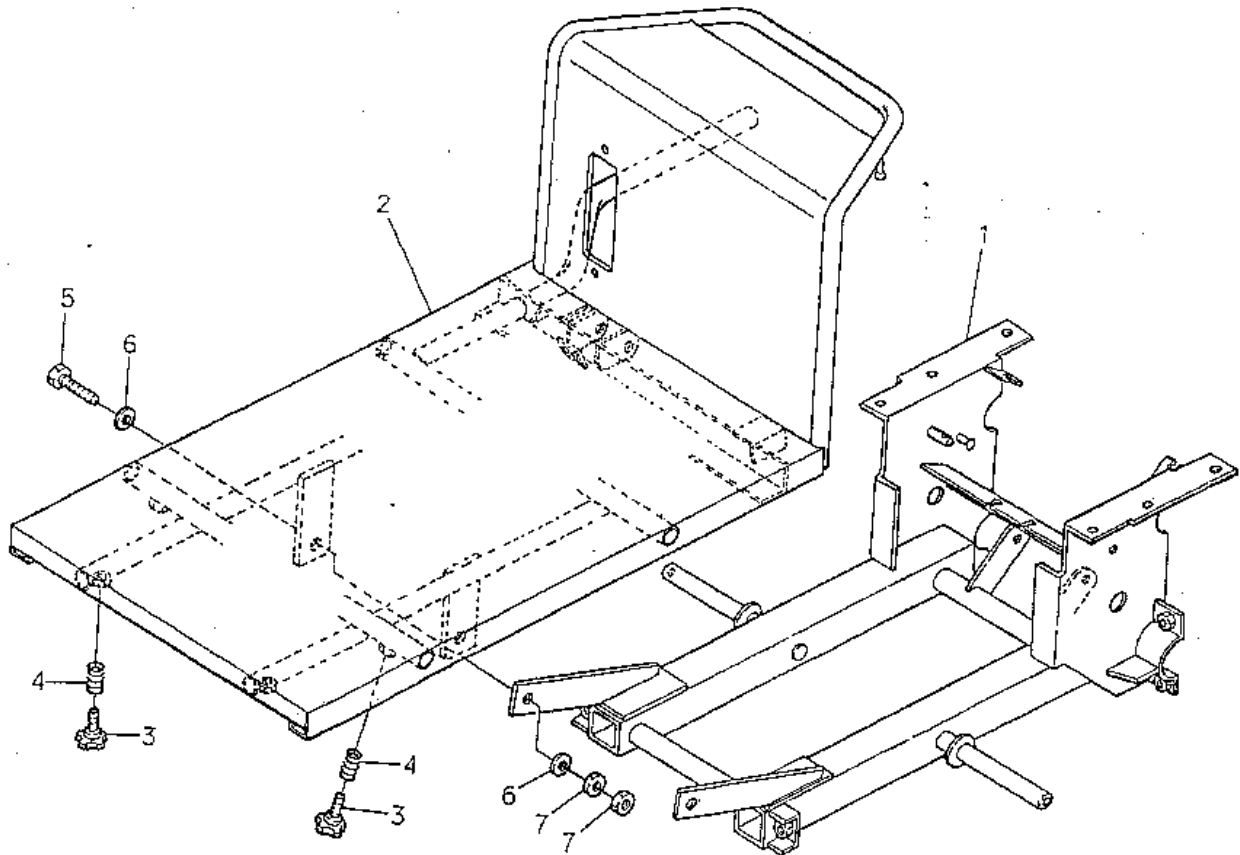
No.1 ギャーボックス関係 (その6)



No.	Part No.	Part Description	Q'ty
1	0331-210-213-1A	Pipe holder	2
2	V211-261-002-5	Bolt(S) M10 x 25	4
3	V201-260-812-5	Bolt M8 x 125	1
4	V411-260-008-0	Washer 8	2
5	V401-100-008-0	Spring washer 8	1
6	V303-200-008-0	Nut M8	1
7	0337-120-011-1B	Sprocket	2
8	0337-120-012-1A	Pin (10 x 69)	2
9	V500-162-501-5	Split pin (2.5 x 15)	2
10	V410-260-010-0	Washer 10	2

FRAME(No. 1)

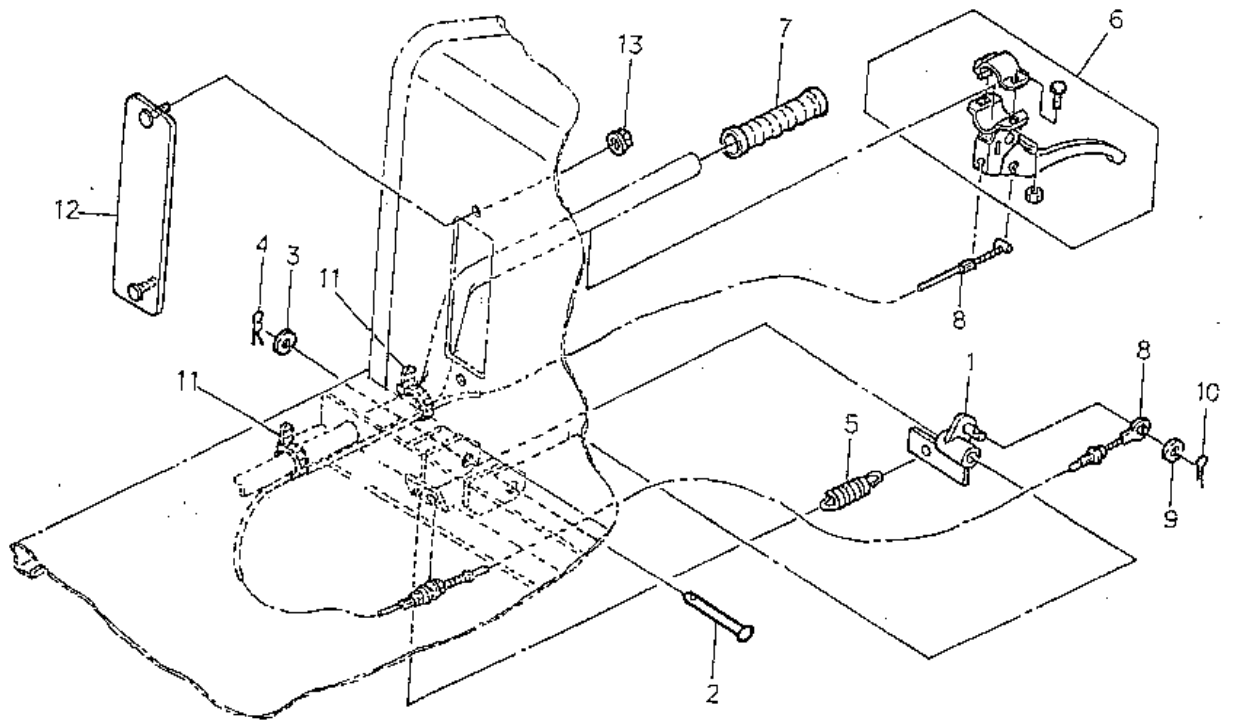
No. 2 フレーム・ニダイ 関係 (その1)



No.	Part No.	Part Description	Q'ty
1	0337-212-200-0	Frame(A)COMP	1
2	0337-254-200-1A	Carrier(A)COMP	1
3	4201-220-019-0A	Set knob (M8 x 20)	4
4	8935-001-064-0	Crank pin spring	4
5	V201-261-205-0	Bolt M12 x 50	2
6	V411-260-012-0	Washer 12	4
7	V300-260-012-0	Nut M12	4

FRAME(No. 2)

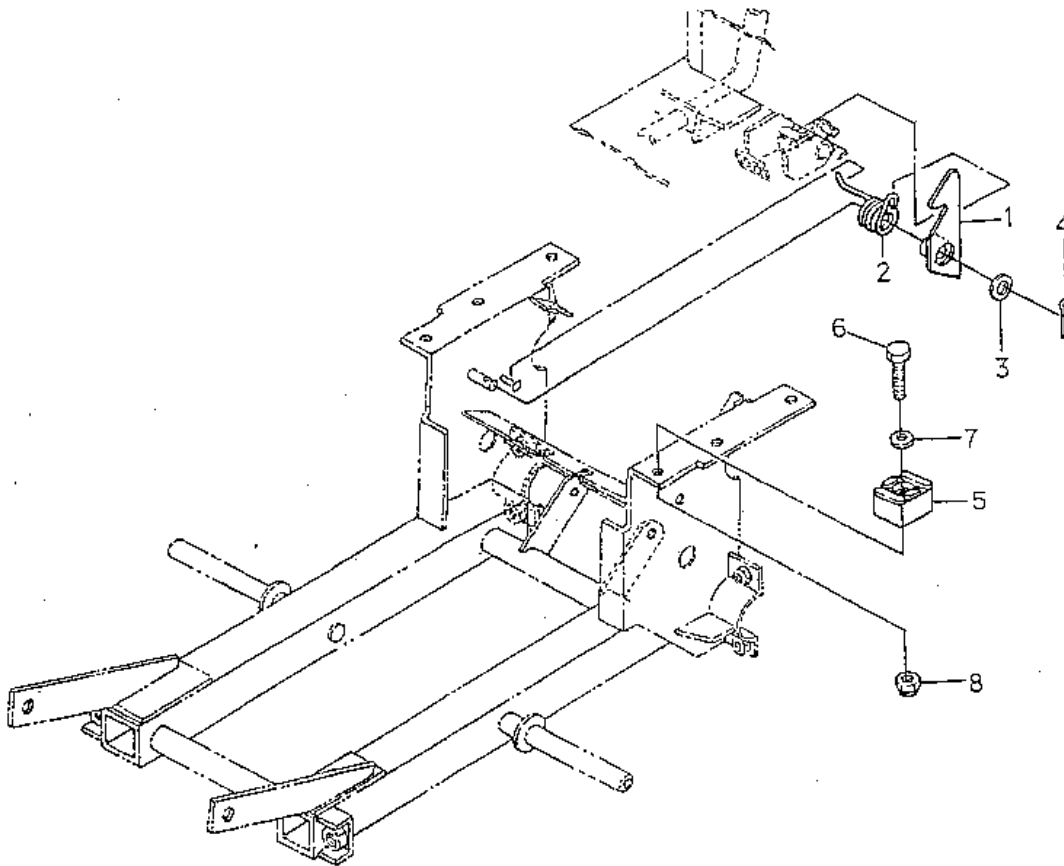
No. 2 フレーム・ニダイ 関係 (その2)



<u>No.</u>	<u>Part No.</u>	<u>Part Description</u>	<u>Q'ty</u>
1	0337-254-220-0	Lock arm	1
2	0337-120-012-1A	Pin (10 x 69)	1
3	V411-260-010-0	Washer 10	1
4	8935-009-013-0	Hair pin for wire hook	1
5	8935-004-048-0	Cover spring	1
6	1122-425-210-0	Lever ASSY	1
7	0403-501-011-0	Handle grip 25	1
8	0337-254-230-0	Cable (hand dump)	1
9	V411-260-006-0	Washer 6	1
10	V500-162-501-5	Split pin 2.5 x 15	1
11	3536-142-006-1	Wire fixing metal	2
12	0337-254-240-0	Cover	1
13	V360-260-006-0	Nut with washer M6	2

FRAME(No. 3)

No. 2 フレーム・ニダイ 関係 (その3)

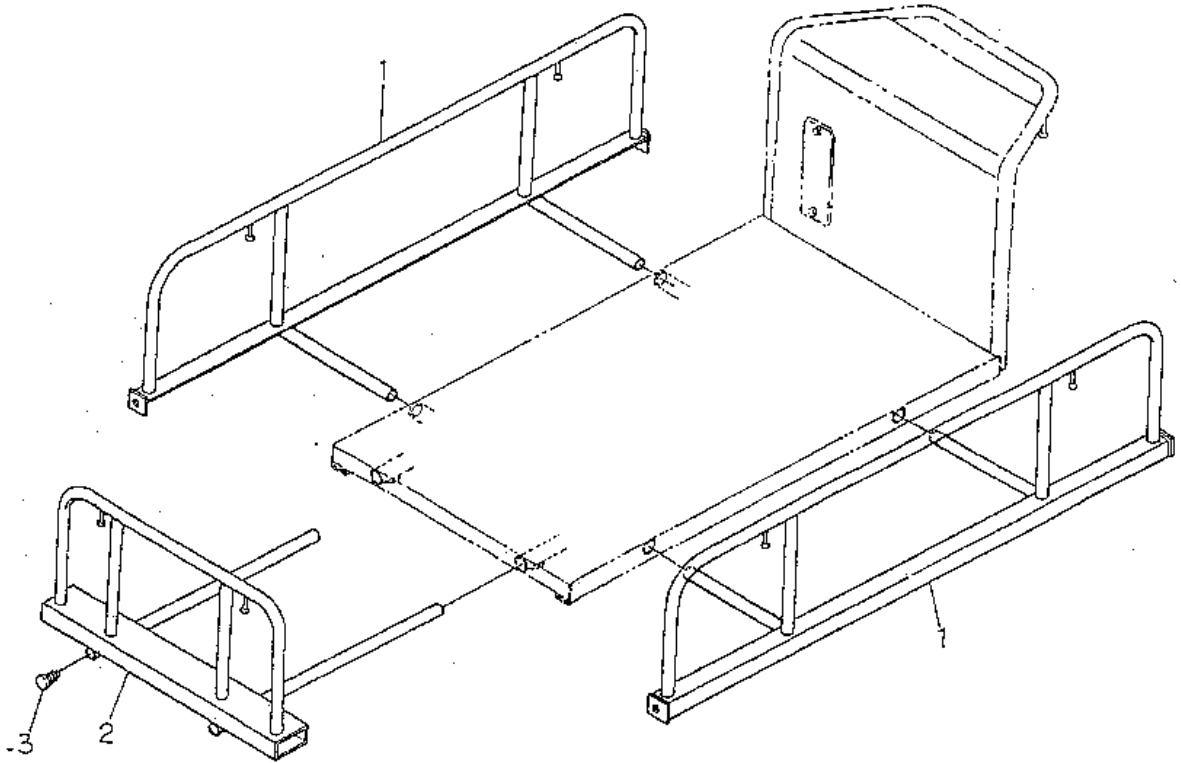


No.	Part No.	Part Description	Q'ty
1	0337-255-200-0	Fook lever(A) COMP	1
2	8935-004-013-0	Clutch return spring	1
3	8935-005-021-0	Clutch tension washer	1
4	V500-163-002-5	Split pin 3 x 25	1
5	0331-250-013-0	Stopper H22	2
6	V201-260-803-0	Bolt M8 x 30	2
7	V411-260-008-0	Washer 8	2
8	1122-725-012-0	U-nut (M8)	2

SIDE DOOR

No. 3 ニワク関係

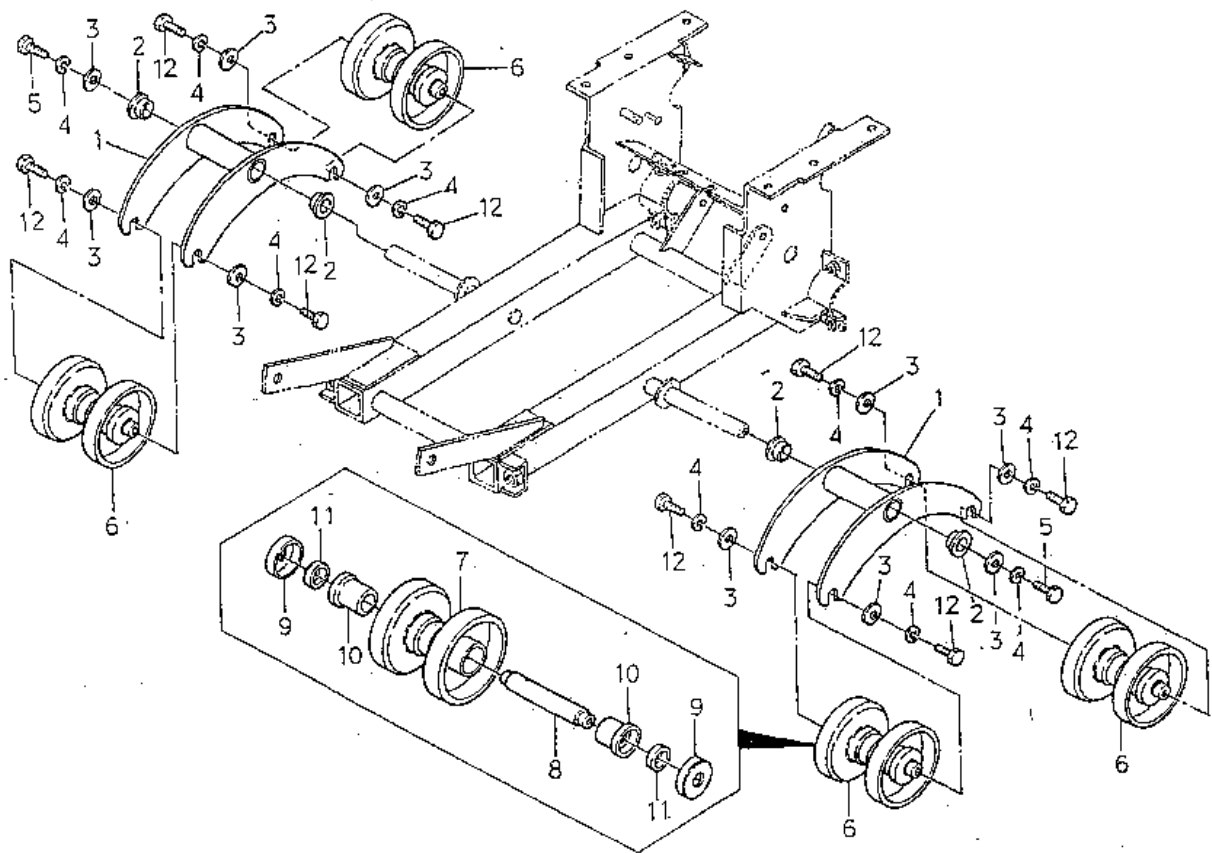
(Model : XG250H-PA)



<u>No.</u>	<u>Part No.</u>	<u>Part Description</u>	<u>Q'ty</u>
1	0333-262-200-0	Side door (C) COMP	2
2	0333-262-210-0	Front door (CC) COMP	1
3	0332-260-011-0	Cap (16)	2

ROLLER, CRAWLER(No. 1)

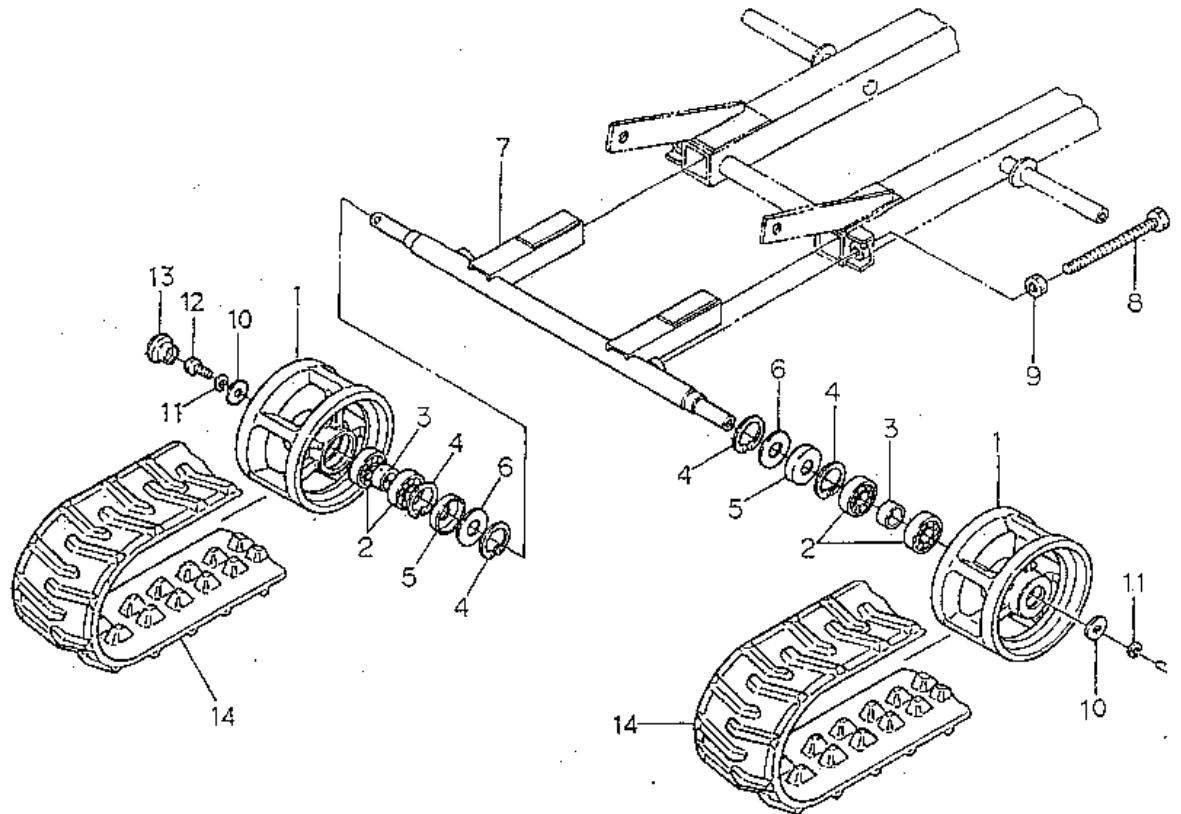
No. 4 フレーム・走行装置関係 (その1)



No.	Part No.	Part Description	Q'ty
1	0663-310-200-0	Equalizer(RBX) COMP	2
2	0312-240-013-0	Bush (25 x 28 x 25)	4
3	3768-361-029-0	Metal washer	10
4	V401-160-010-0	Spring washer 10	10
5	V201-461-002-5	Bolt M10 x 25 9T	2
6	0337-310-210-0B	VIV Roller 120 ASSY	
7	0337-310-220-0B	Roller 120 COMP	4
8	0337-310-211-0	Roller jig (120)	4
9	0337-310-212-0	Dust cover-A	8
10	0337-310-213-0	Bush	8
11	0337-310-214-0	Oil seal	4
12	V203-461-002-5	Bolt (fine) M10x1.25x25 9T	8

ROLLER, CRAWLER (No. 2)

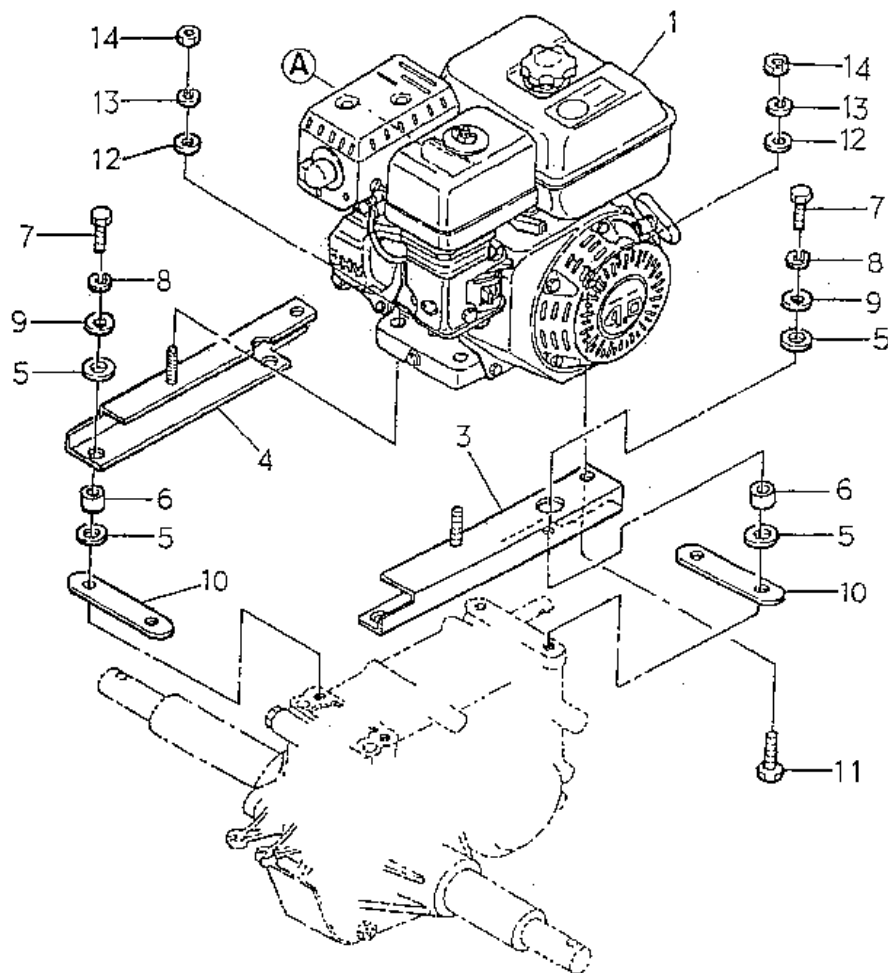
No. 4 フレーム・走行装置関係 (その2)



No.	Part No.	Part Description	Q'ty
1	0337-330-011-2C	Idle roller	2
2	V600-110-620-4	Bearing 6204	4
3	0337-330-012-0	Idle roller collar	2
4	V705-140-047-0	Snap ring (hole) 47	4
5	V744-125-470-8	Oil seal TC25478	2
6	0337-330-013-0	Dust seal (25 x 47)	2
7	0337-340-200-3C	Tension jig COMP	1
8	0342-340-012-0	Idle set bolt	2
9	V303-260-016-0	Nut M16	2
10	4203-530-024-0	Washer (8 x 28 x 4.5)	2
11	V401-160-008-0	Spring washer 8	2
12	3737-111-031-0	Lock bolt M8 x 22	2
13	2703-501-018-0A	Cap	2
14	0337-350-011-0A	Crawler (170 x 28 x 72)	2

ENGINE

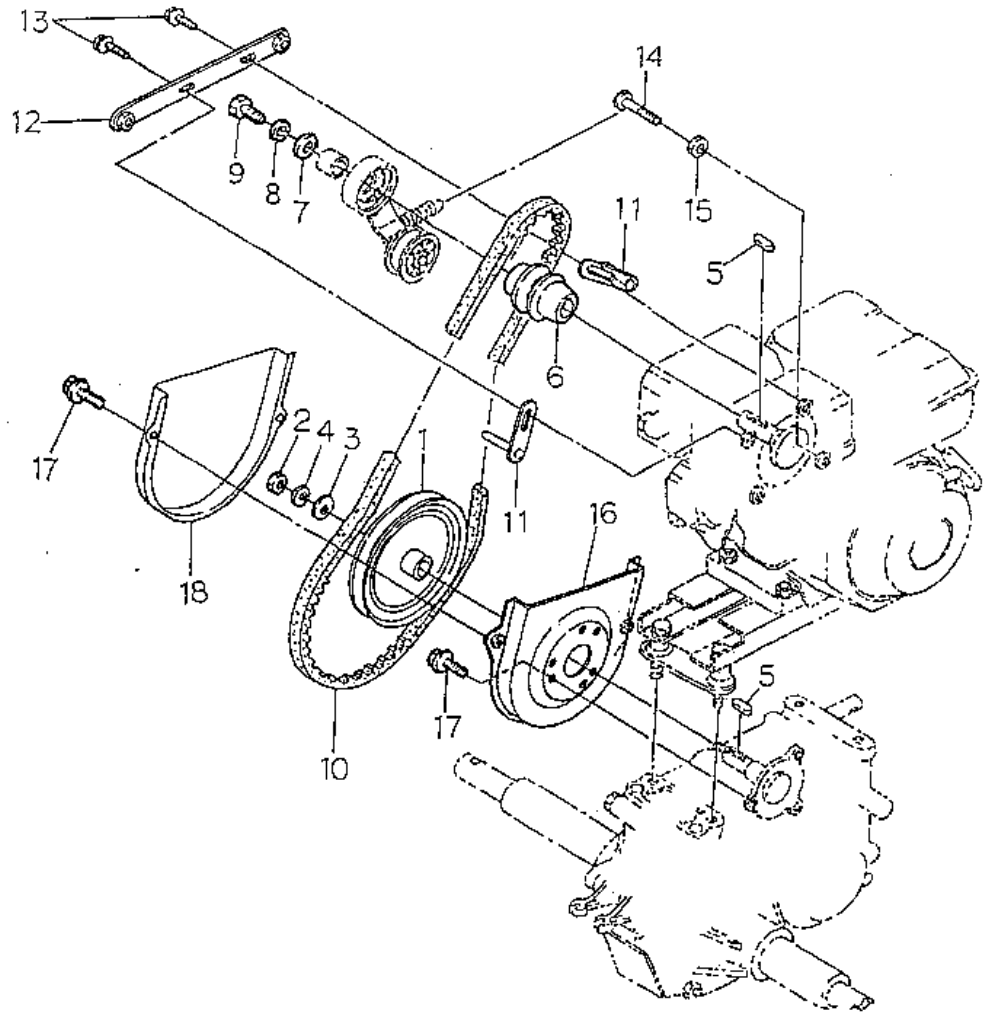
No.5 エンジン関係



No.	Part No.	Part Description	Q'ty
1	0337-410-200-0	Engine (GX120)	1
2		(OPTION)	
3	0337-422-200-1A	Engine base GX(L) COMP	1
4	0337-422-210-1A	Engine base GX(R) COMP	1
5	0337-422-013-0	Rubber washer (27)	8
6	0337-420-012-0	Collar (12)	4
7	V201-261-003-5	Bolt M10 x 35	4
8	V401-160-010-0	Spring washer 10	4
9	3780-121-002-0	Tension washer	4
10	0337-422-014-0	Plate for rubber	2
11	V201-260-804-0	Bolt M8 x 40	2
12	V411-260-004-0	Washer 8	4
13	V401-160-008-0	Spring washer 8	4
14	V304-260-008-0	Nut M8	4

DRIVING(No.1)

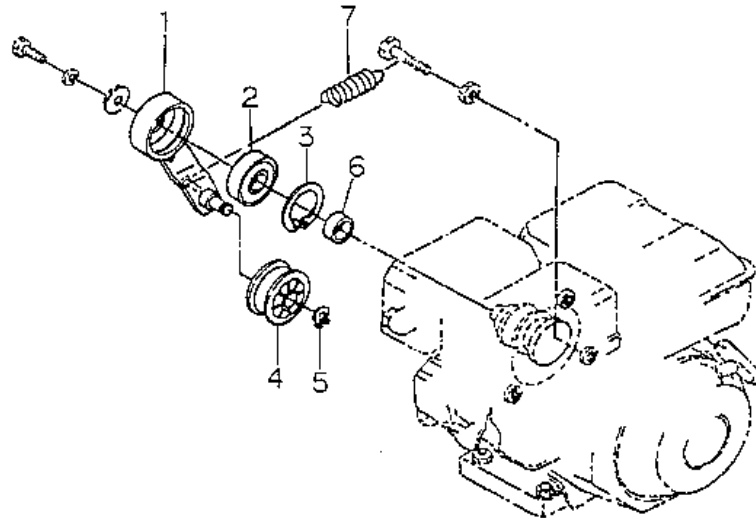
No.6 伝導関係 (その1)



No.	Part No.	Part Description	Q'ty
1	0317-510-210-0	Transmission pulley	1
2	V300-260-010-0	Nut M10	1
3	8935-001-062-0	Metal washer	1
4	V401-160-010-0	Spring washer 10	1
5	8935-013-015-0	Coupling key	2
6	0332-520-011-0A	Engine pulley (XS)	1
7	3100-310-003-0	Engine pulley washer	1
8	V401-160-008-0	Spring washer 8	1
9	V201-460-803-0	Bolt M8 x 30 9T	1
10	0331-510-013-0	Belt (V-COG A033)	1
11	0331-510-210-0A	Belt stopper COMP	2
12	0332-615-210-0	Cover stay COMP	1
13	V211-360-802-0	Bolt (SP) M8 x 20	2
14	V201-260-806-0	Bolt M8 x 60	1
15	V304-260-008-0	Nut M8	1
16	3100-120-210-0A	Pulley cover stay	1
17	V211-360-801-6	Bolt (SP) M8 x 16	5
18	3100-120-001-0A	Pulley cover	1

DRIVING(No.2)

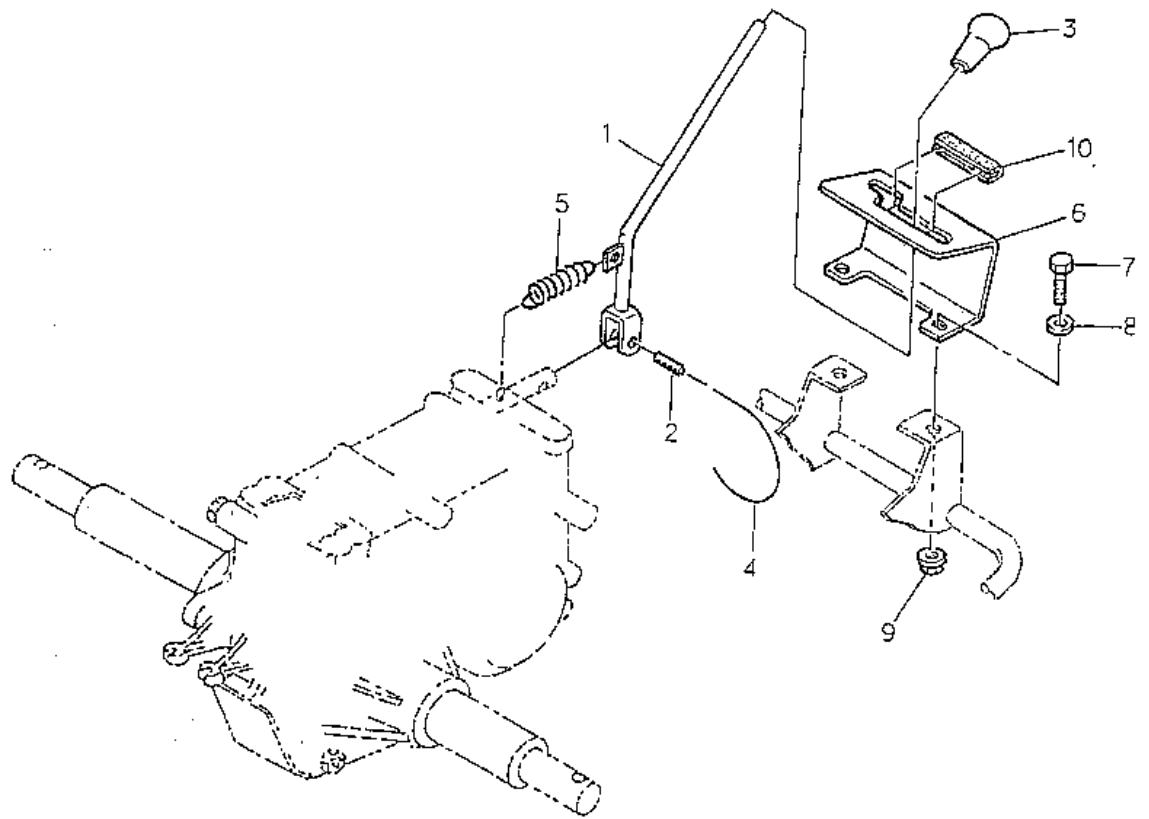
No.6 伝導関係 (その2)



<u>No.</u>	<u>Part No.</u>	<u>Part Description</u>	<u>Q'ty</u>
1	0332-511-210-0	Tension Arm COMP	1
2	0331-511-011-0	Bearing	1
3	V705-140-047-0	Snap ring (hole) 47	1
4	8935-004-026-0	Counter tension pulley	1
5	V704-140-015-0	Snap ring (jig) 15	1
6	0332-521-011-0	Collar (18x25x12)	1
7	8935-004-048-0	Cover spring	1

LEVER/COVER (No.1)

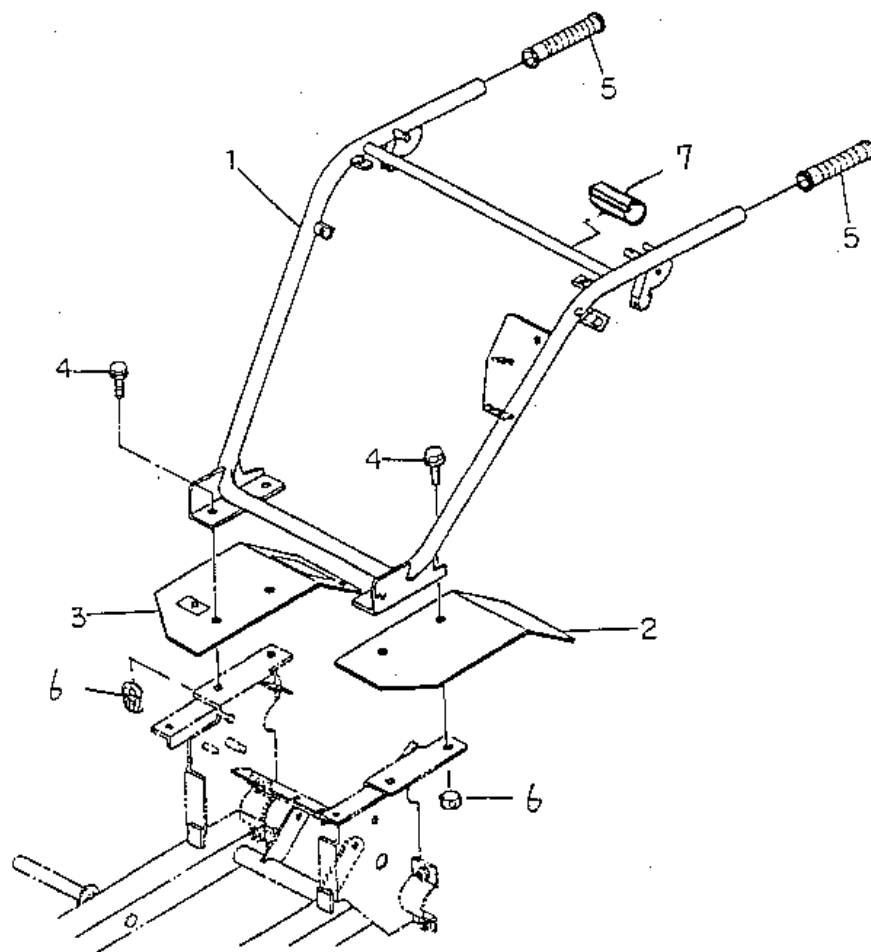
No.7 操作・カバー関係 (その1)



<u>No.</u>	<u>Part No.</u>	<u>Part Description</u>	<u>Q'ty</u>
1	0337-612-200-1A	Change Lever(A) COMP	1
2	V580-140-603-2	Spring pin (W) 6 x 32	1
3	0410-202-006-0	Change grip	1
4	3536-111-008-0	Metal wire	1
5	8935-004-048-0	Cover spring	1
6	0337-612-011-0	Change plate (A)	1
7	V201-260-802-0	Bolt M8 x 20	2
8	V411-260-008-0	Washer 8	2
9	V360-260-008-0	Nut with washer M8	2
10	0337-612-012-1A	Change blade rubber	1

LEVER/COVER (No.2)

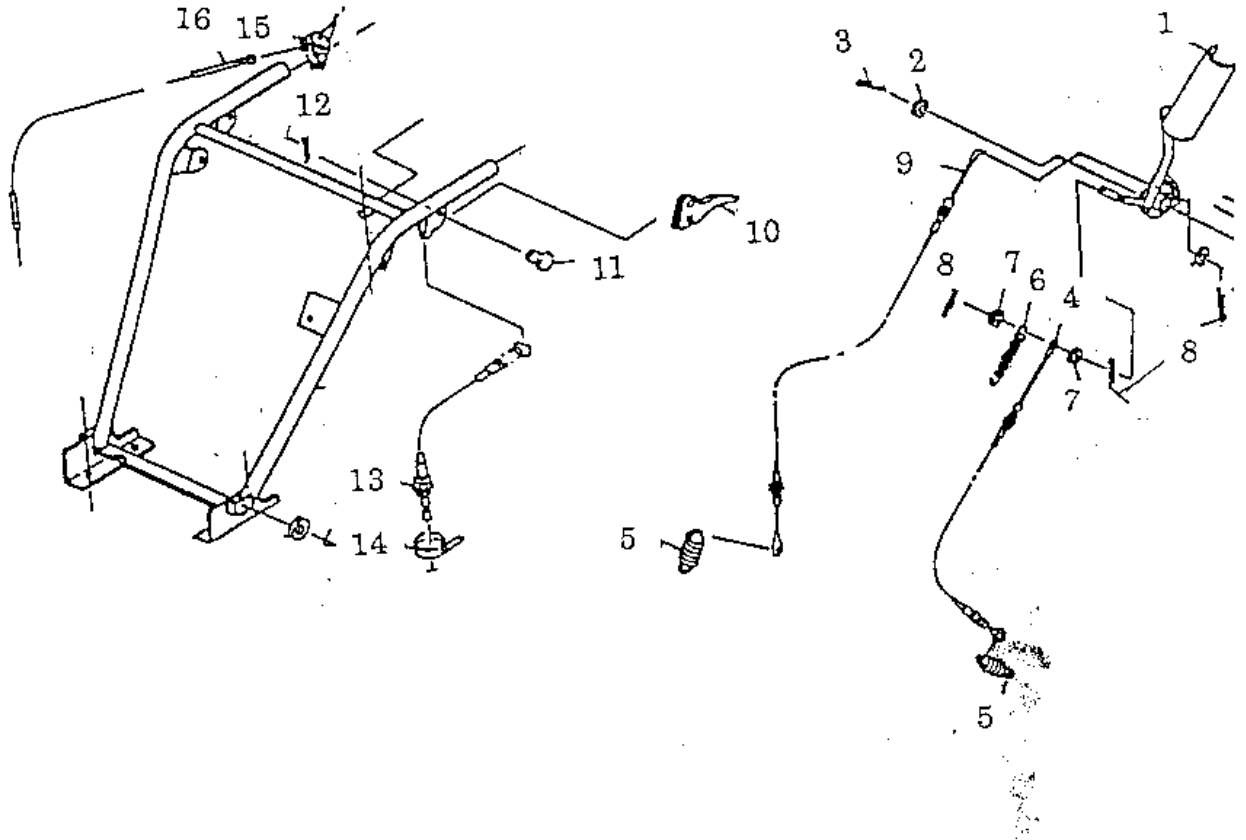
No.7 操作・カバー関係 (その2)



No.	Part No.	Part Description	Q'ty
1	0290-053-270-0	Handle(I)	1
2	0337-620-016-1A	Fender(A)(L)	1
3	0337-620-016-1A	Fender(A)(R)	1
4	V211-361-002-5	Bolt(SP) M10 x 25	4
5	0403-501-011-0	Handle grip	2
6	V362-260-010-0	Nut	4
7	0332-620-015-0	Cusion rubber	1

LEVER/COVER (No.3)

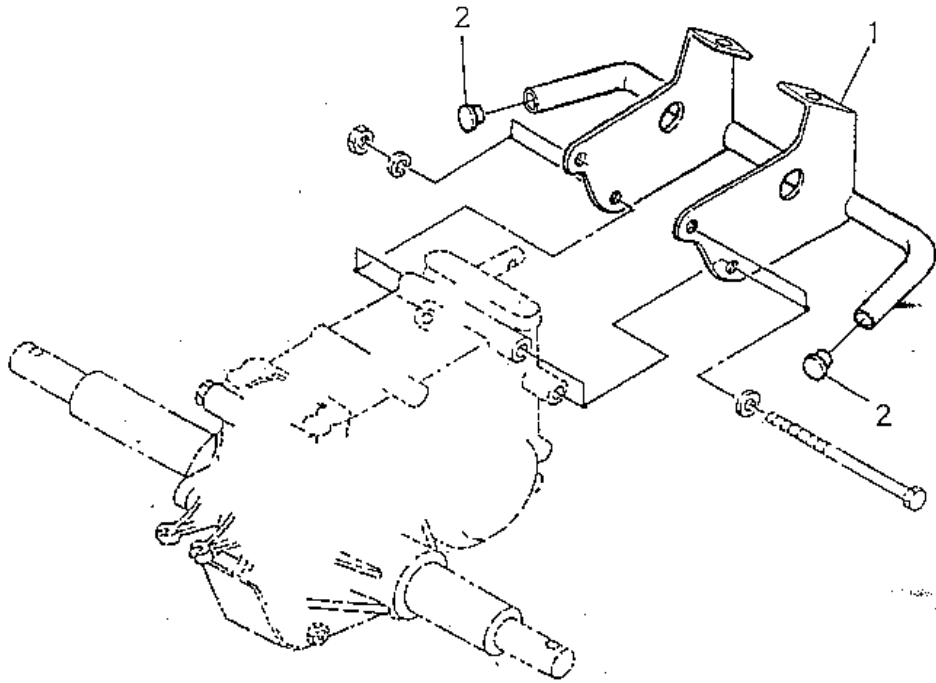
No.7 操作・カバー関係 (その3)



No.	Part No.	Part Description	Q'ty
1	0333-625-220-0B	Clutch lever	1
2	V411-260-012-0	Washer 12	1
3	1305-241-001-0	Hair pin	1
4	0333-625-014-0	Cable (running)	1
5	1317-401-004-0	Spring	2
6	8935-004-032-0	Spring	1
7	V411-260-008-0	Washer 8	2
8	V500-162-501-5	Split pin 2.5 x 15	3
9	0333-625-012-1A	Cable (brake)	1
10	0333-625-013-0A	Side clutch lever (C)	2
11	0331-623-017-0	Pin (6 x 24)	2
12	V500-162-001-5	Split pin 2 x 15	2
13	0333-625-015-0	Cable (clutch)(I)	2
14	3526-142-006-1	Wire band	3
15	1106-450-200-0	Throttle lever	1
16	1106-450-011-3C	Cable (throttle)	1

LEVER/COVER (No.4)

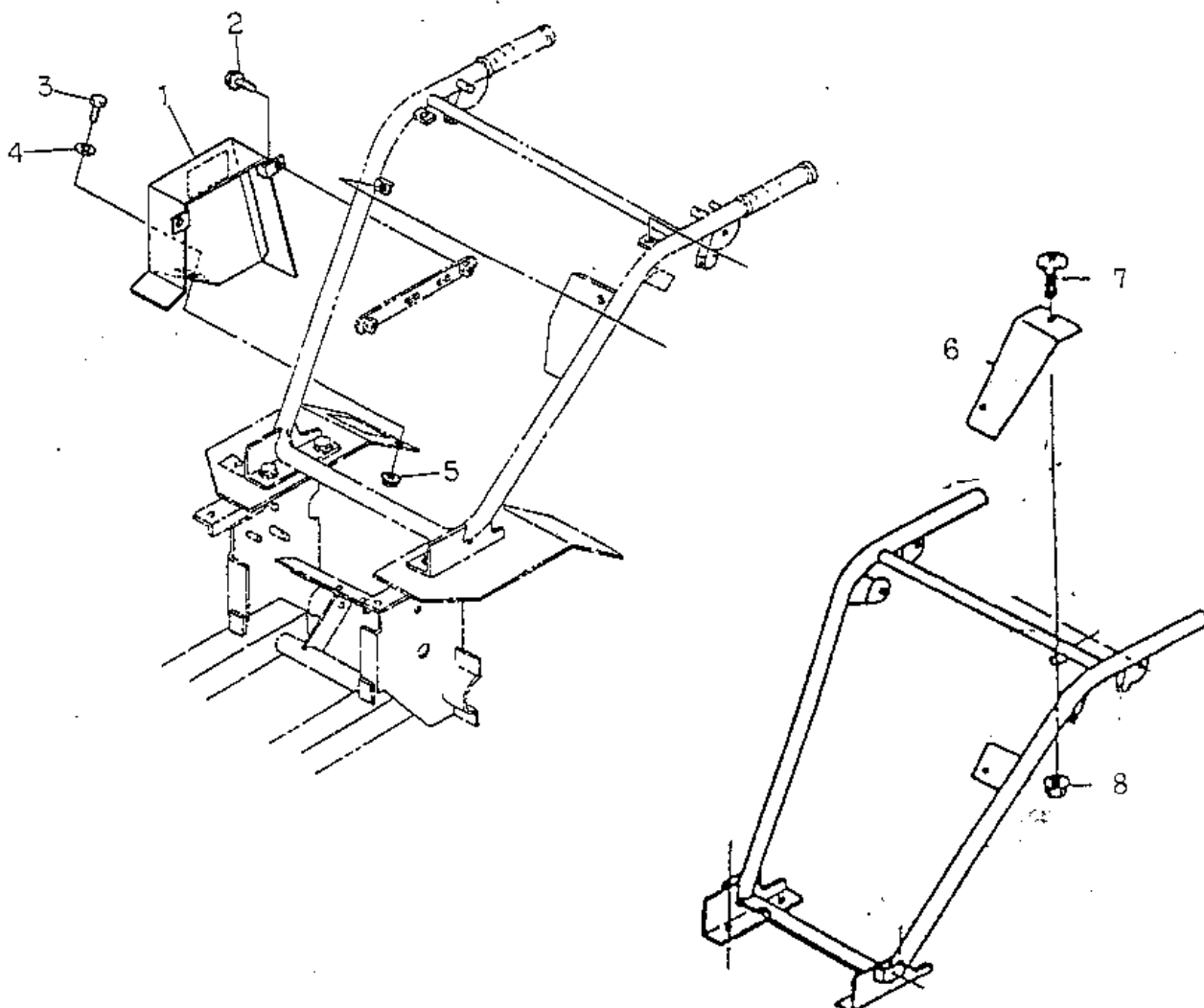
No.7 操作・カバー関係 (その4)



<u>No.</u>	<u>Part No.</u>	<u>Part Description</u>	<u>Q'ty</u>
1	0337-624-250-0	Bumper(A) COMP	1
2	0332-260-011-0	Cap (16)	2

LEVER/COVER (No.5)

No.7 操作・カバー関係 (その5)



No.	Part No.	Part Description	Q'ty
1	0337-636-200-1A	Pulley cover COMP	1
2	V210-360-601-2	Bolt (SP) M6 x 12	2
3	V200-250-601-6	Bolt M6 x 16	1
4	3789-151-006-0	Washer	1
5	V361-260-006-0	Nut M6	1
6	0333-625-011-0	Clutch cover (I)	1
7	P115-630-013-0	Screw M6 x 16	2
8	V361-260-006-0	Nut M6	2