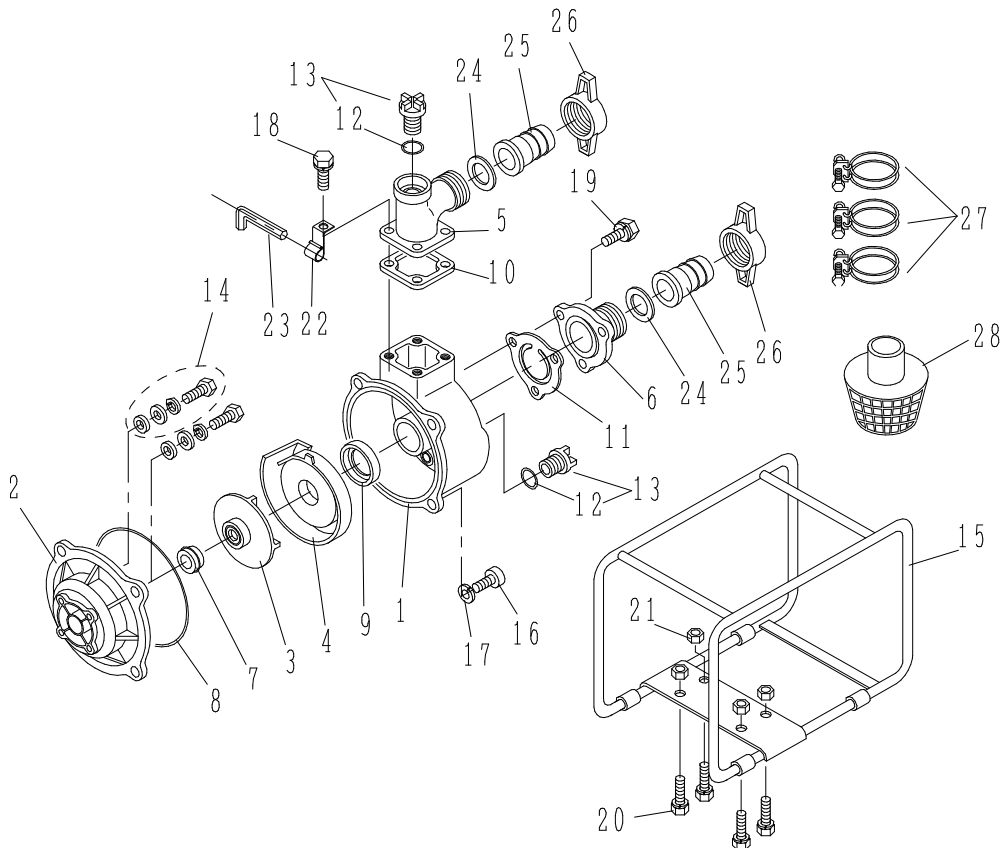


WP-300HS



REF No.	Parts No.	Parts name	Q'ty	Price	Remarks
	ENGINE	HONDA GX160	(1)		
1	200 200 180	CASING	(1)		OEL-80
2	200 200 770	CASING COVER	1		
3	200 210 480	IMPELLER	1		
4	200 210 060	INNER CASING	1		
5	200 200 260	BEND	1		PF3
6	200 200 270	VALVE CASE	1		PF3
7	201 100 051	MECHANICAL SEAL	1		2",3"Sic
8	200 800 180	O-RING	1		W1517-45
9	200 900 180	PACKING, INNER CASING	1		
10	200 900 190	PACKING, BEND	1		
11	200 900 110	CHECK VALVE	1		
12	200 800 020	O-RING	(2)		P-24
13	200 500 040	PLUG ASSY	2		
14	203 000 100	CASING BOLT ASSY	4		M8x50
15	200 100 050	FRAME (BLACK)	1		
16	203 000 420	HEX.SOCKET BOLT	4		M10x30
17	203 100 230	SPRING WASHER	4		M10
18	203 000 050	HEX.BOLT	4		M8x25 P=3
19	203 000 060	HEX.BOLT	3		M8x30 P=3
20	203 000 070	HEX.BOLT	4		M8x40 P=2
21	203 200 010	FLANGE NUT	4		M8
22	203 300 130	PLATE	1		
23	203 300 120	HEX.STICK WRENCH	1		
24	200 900 060	PACKING, COUPLING	2		NBR
25	200 200 680	HOSE COUPLING	(2)		AL
26	200 200 250	HOSE COUPLING HANDLE	2		PF3
27	201 000 060	HOSE BAND	3		3"

