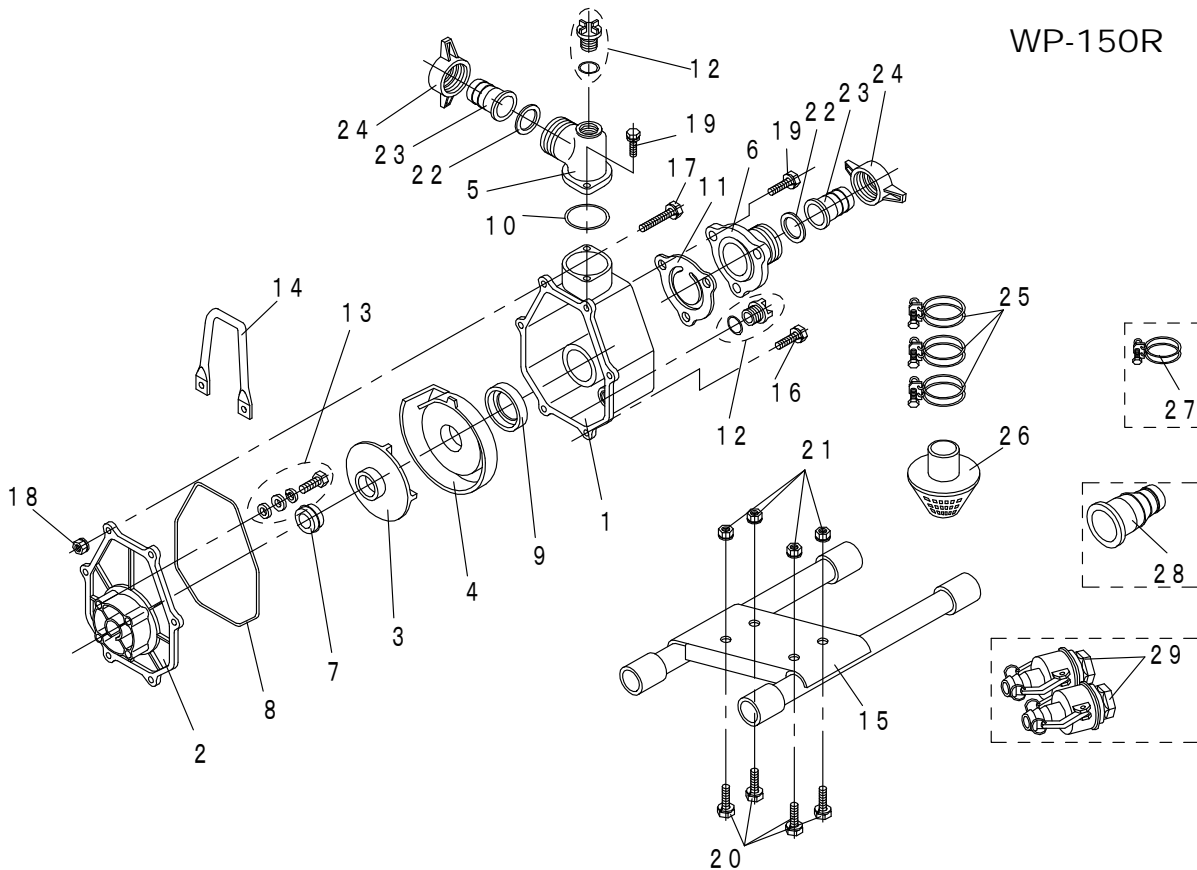


WP-150R



REF No.	Parts No.	Parts name	Q'ty	Remarks
	ENGINE	ROBIN EH09	(1)	SCR-40RH
1	200 200 100	CASING(SCQ)	1	SCQ-40
2	200 200 430	CASING COVER	1	
3	200 210 150	IMPELLER	1	
4	200 210 160	INNER CASING	1	
5	200 200 630	BEND	1	EX-PF
6	200 200 640	VALVE CASE	1	EX-PF
7	201 100 021	MECHANICAL SEAL	1	
8	200 900 340	PACKING,CASING	1	
9	200 900 230	PACKING,INNER CASING	1	
10	200 800 080	O-RING	1	G-45
11	200 900 140	CHECK VALVE	1	
12	200 500 040	PLUG ASSY	2	
13	203 000 100	CASING BOLT ASSY	4	M8 × 50
14	200 300 570	HANGER	(1)	SCR-40RH
15	200 100 660	BASE (BLACK)	1	
16	203 000 040	HEX.BOLT	4	M8 × 25 P=2
17	203 000 070	HEX.BOLT	2	M8 × 40 P=2
18	203 200 030	SPRING NUT	2	M8
19	203 000 190	HEX.BOLT	5	M6 × 20 P=2
20	203 000 030	HEX.BOLT	4	M8 × 20 P=2
21	203 200 010	FRANGE NUT	4	M8
22	200 900 040	PACKING,COUPLING	2	
23	200 500 140	HOSE COUPLING	2	
24	200 500 150	COUPLING HANDLE	2	PF
25	201 000 030	HOSE BAND	3	
26	201 200 020	STRAINER	1	1.5"J