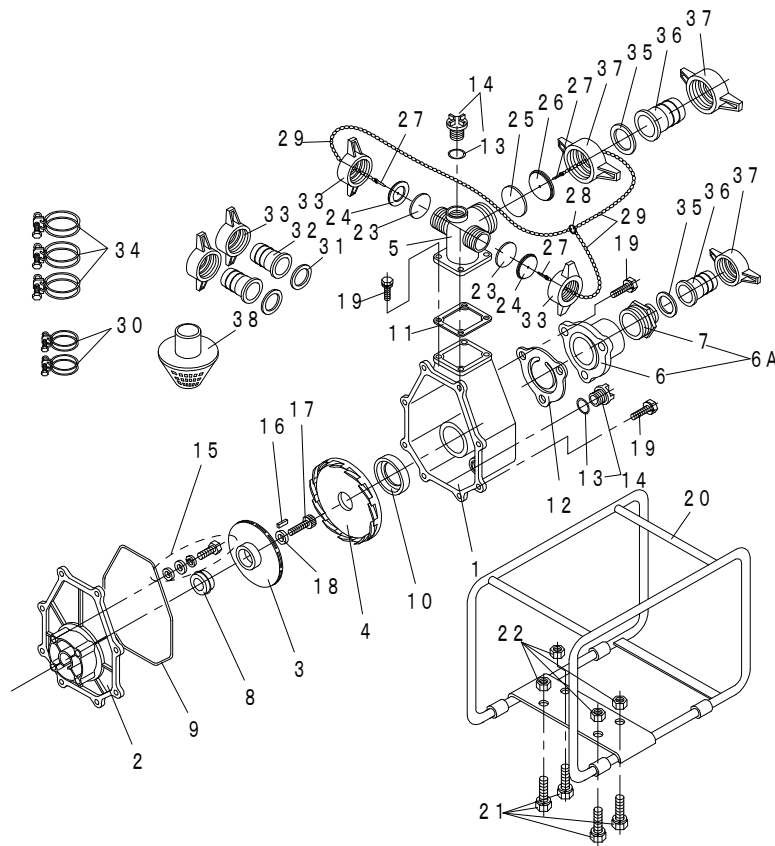


REF No.	Parts No.	Parts name	Q'ty	Remarks
	ENGINE	HONDA GX160	1	
1	200 200 130	CASING	1	SCQ-50
2	200 201 040	CASING COVER	1	
3	200 210 200	IMPELLER	1	
4	200 210 410	DIFFUSER	1	
5	200 201 080	BEND	1	
6	200 200 540	VALVE CASE	1	IN-NPSM2
7	200 500 240	FITTING PIPE	1	2"→1.5"
6A	202 200 160	VALVE CASE ASSY	(1)	PF1.5
8	201 100 031	MECHANICAL SEAL	1	
9	200 900 350	PACKING,CASING	1	
10	200 900 240	PACKING,INNER CASING	1	
11	200 900 170	PACKING,BEND	1	
12	200 900 120	CHECK VALVE	1	
13	200 800 020	O-RING	2	P-24
14	200 500 040	PLUG ASSY	2	
15	203 000 100	CASING BOLT ASSY	4	M8×50
16	203300100	KEY	1	5×5×7
17	203 000 400	SOCKET BOLT M8x35	(1)	HONDA
18	203 100 210	SEAL WASHER	1	W8-S1
19	203 000 040	HEX.BOLT	15	M8×25 P=2
20	200 100 050	FRAME (BLACK)	(1)	
21	203 000 070	HEX.BOLT	4	M8×40 P=2
22	203 200 010	FLANGE NUT	4	M8
23	200 900 100	PACKING,CAP	2	φ 30.8
24	200 300 400	CAP	2	1"
25	200 900 090	PACKING,CAP	1	φ 45.5
26	200 300 390	CAP	1	1.5"



REF No.	Parts No.	Parts name	Q'ty	Remarks
27	203 300 050	PIN	3	3 × 15(SUS)
28	203 300 060	RING	1	φ 15
29	203 300 070	CHAIN	3	
30	201 000 020	HOSE BAND	2	1"
31	200 900 030	PACKING,COUPLING	2	NBR
32	200 500 030	HOSE COUPLING	2	ABS
33	200 500 020	HOSE COUPLING HANDLE	4	PF1
34	201 000 030	HOSE BAND	3	1.5"
35	200 900 040	PACKING,COUPLING	2	NBR
36	200 500 140	HOSE COUPLING	2	ABS
37	200 500 150	HOSE COUPLING HANDLE	3	PF1.5
38	201 200 020	STRAINER	1	1.5J