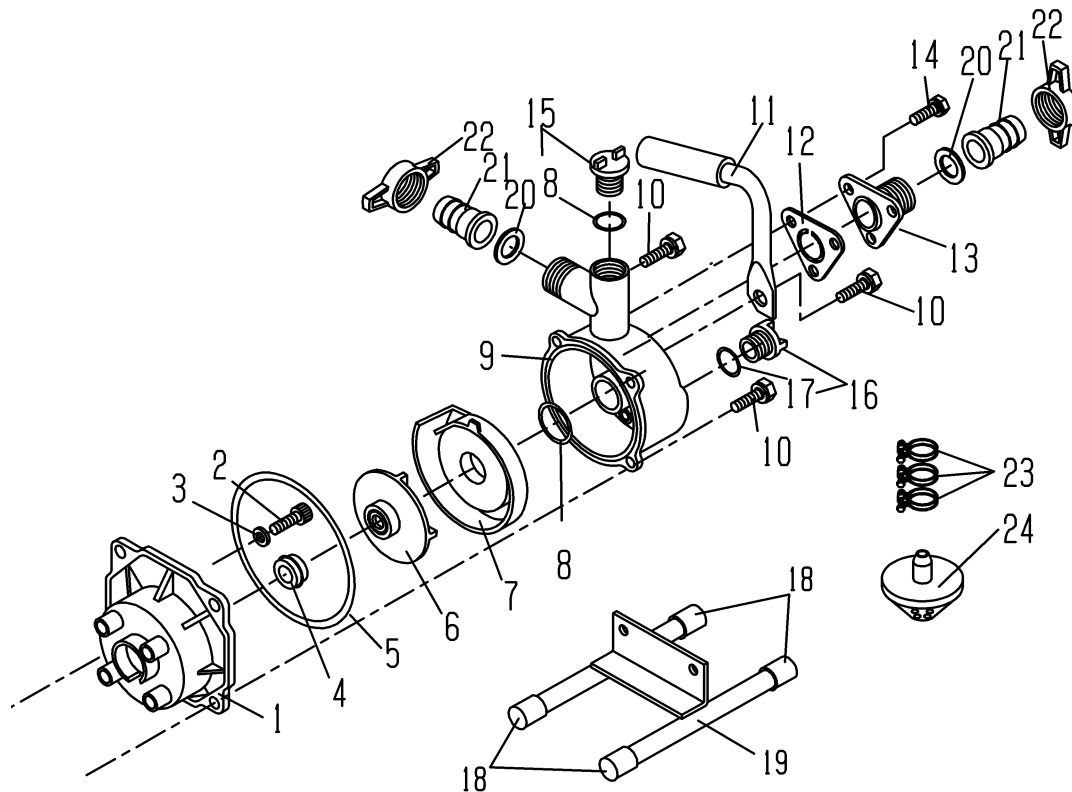


WP-100K



REF No.	Parts No.	Parts name	Q'ty	Price	Remarks
	-	TF022	1		
1	200 201 180	CASING COVER	1		
2	203 000 010	HEX.SOCKET BOLT	4		M5 × 25
3	203 100 030	AL WASHER	4		5 × 12 × 0.8
4	201 100 011	MECHANICAL SEAL	1		
5	200 800 010	O-RING	1		W1517-31
6	200 201 190	IMPELLER	1		
7	200 201 200	INNER CASING	1		
8	200 800 030	O-RING	2		P-41
9	200 200 040	CASING	1		OEL-25
10	203 000 020	HEX.BOLT	4		M8 × 30 P=2
11	200 300 010	CARRING HANDLE	1		
12	200 900 010	CHECK VALVE	1		
13	200 200 050	VALVE CASE	1		PF1
14	1400 1001450	HEX.BOLT	3		M6 × 20 P=3
15	200 500 010	PRIMING PLUG ASSY	1		
16	200 500 040	PLUG ASSY	1		
17	200 800 020	O-RING	1		P-24
18	200 900 500	RUBBER	4		
19	200 101 150	PIPE BASE (BLACK)	1		
20	200 900 030	COUPLING PACKING	2		NBR
21	200 500 030	HOSE COUPLING	2		1"
22	200 500 020	COUPLING HANDLE	2		PF1
23	201 000 020	HOSE BAND	3		1"
24	201 200 010	STRAINER	1		1J