

PARTS CATALOG

MITSUBISHI MEIKI  
AIR-COOLED  
GASOLINE ENGINE

MODEL TLE43FA-UST

MAR, 2010

MITSUBISHI HEAVY INDUSTRIES, LTD.

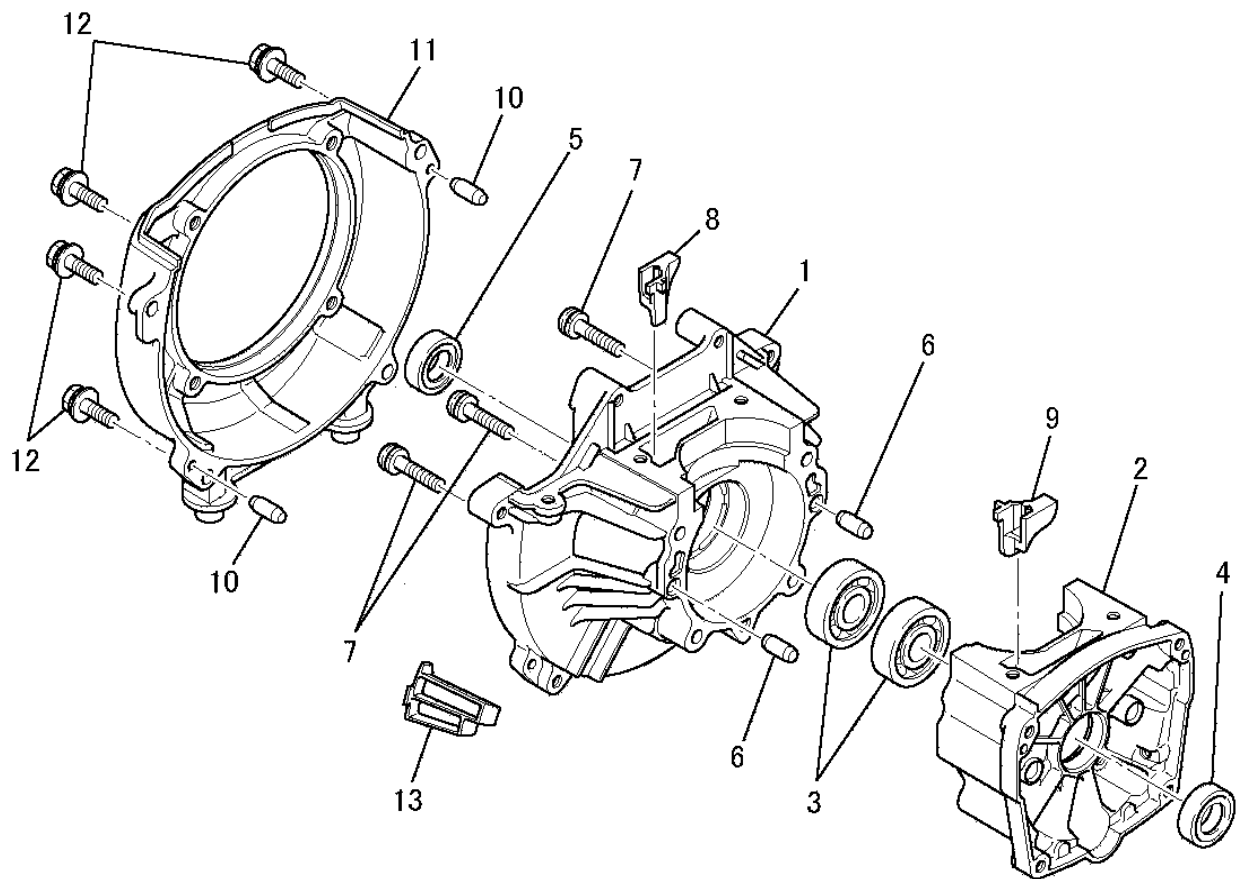
# INDEX

Page No.	No.	Parts No.	Page No.	No.	Parts No.
1	1	KB15005AA	7	5	KK22083CB
1	2	KB15006AA	7	6	KK22016AA002
1	3	S111X62X020	7	7	KK21009AA002
1	4	KW21005AA	7	8	KK22007AA003
1	5	KW21012AA	7	9	KK23002AA005
1	6	KU40003AA	7	10	KK22007AA005
1	7	KU12029AA	7	11	FR66652XX027
1	8	KB90020BA	7	12	FR66652XX029
1	9	KB90021BA	8	13	KK22007AA006
1	10	KU40004AA	8	14	KK22007AA007
1	11	KH30027AA	8	15	KK21017AA013
1	12	FR64569F	8	16	KK21050AA006
2	13	KH90078AA	8	17	KK22007AA012
3	1	KC13025AA	8	18	KK21017AA005
3	2	KW32027AA	8	19	KK21028AA009
3	3	B121C05X020	8	20	KK21041AA110
3	4	KC90020AA	8	21	KK21017AA002
3	5	KC90021AA	8	22	FR66652XX032
3	6	KW39083AA	8	23	KK21024AA022
3	7	KU12031AA	8	24	KK21017AA021
3	8	B151B06X050	9	25	KK21052CA016
3	9	KH40120BA	9	26	KK22007AA019
3	10	KH70022AA	9	27	KK22004EA024
3	11	H071D05X020K	10	1	KW39087AA
3	12	KU12018CA	10	2	KA10044AA
4	13	KU12018BA	10	3	H071D05X050
5	1	KD01037AA	10	4	KA40080AA
5	2	KP13018AA	10	5	KA02034AB
5	3	KP52001AA	10	6	FR64960D
5	4	W430B03X013	11	1	KM70080AA
5	5	KP23004AA	11	2	KM01098AA
5	6	FR34111	11	3	N801A06
5	7	KW12016AA	11	4	H071D05X012K
5	8	ZZ70028C	12	1	KT01054AA
6	1	KE11033AA	12	2	KT12002BA
6	2	KE04034BA	12	3	KT01054AA002
6	3	FR64961	12	4	KT14001AA
6	4	KE90001BA	12	5	FR67347
6	5	FR66751	12	6	KU36001AA
6	6	FR64569A	13	1	KS20094AB
6	7	KE41011AA	13	2	KS20094AB001
6	8	KE90106AA	13	3	KS20021AA006
7	1	KW34067AA	13	4	KS20094AA005
7	2	KK31033AA	13	5	KS20094AA006
7	3	FR64960E	13	6	KS20094AA007
7	4	KW39117AA	13	7	KS20094AA008

# INDEX

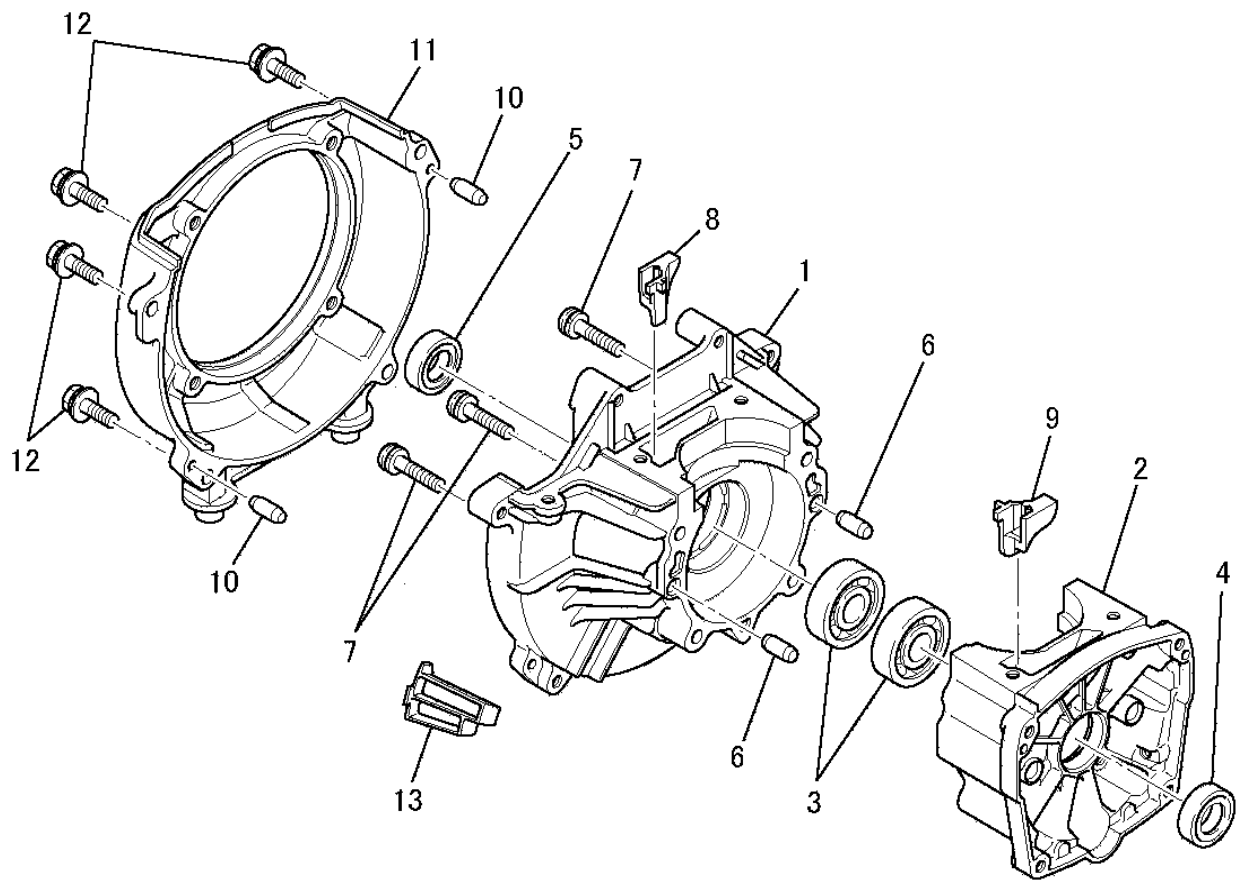
Page No.	No.	Parts No.	Page No.	No.	Parts No.
13	8	KS20094AA009			
13	9	KS20094AA010			
13	10	KS20094AB012			
13	11	FR66881XX011			
13	12	KS20097AA010			
14	13	KS30066AA			
14	14	KU12018CA			
14	15	KW52236BA			
15	1	KF01082BB			
15	2	KF05023BA			
15	3	KF21012AA			
15	4	KF90155AA			
15	5	KF09038AA			
15	6	KF90062AB			
15	7	KF90154AA			
15	8	KF90048AA			
15	9	KF70011HA			
15	10	KF70031BA			
15	11	KF01033AA007			
15	12	KF40004AA			
16	13	KF80008AA			
16	14	KU12018BA			
16	15	KU12018DA			
16	16	KT30024AA			
17	1	KN13001AA			
17	2	FR53718A			

# 1. CRANKCASE SYSTEM



No.	R/N	Parts No.	Parts Name	No.Req'd	Inte	Remarks	Serial No. (From ~ To)
1		KB15005AA	CASE ,DRIVE	1			
2		KB15006AA	CASE ,STARTER	1			
3		S111X62X020	BEARING ,BALL	2		#6202	
4		KW21005AA	OIL SEAL	1			
5		KW21012AA	OIL SEAL	1			
6		KU40003AA	PIN ,DOWEL	2			
7		KU12029AA	SCREW&WASHER	4			
8		KB90020BA	GUIDE	1			
9		KB90021BA	GUIDE	1			
10		KU40004AA	PIN ,DOWEL	2			
11		KH30027AA	CASE ,FAN	1			
12		FR64569F	BOLT&WASHER	4			

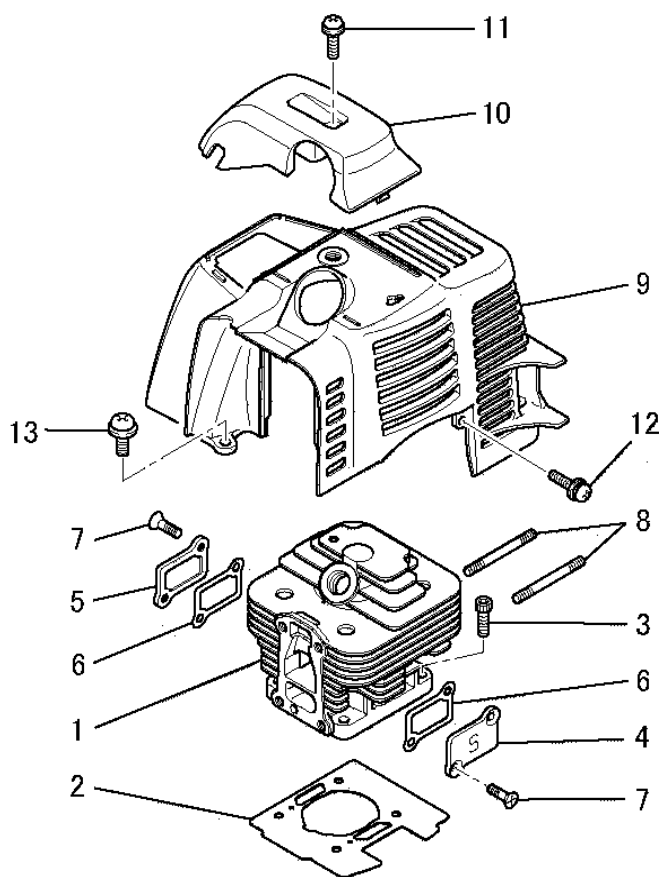
# 1. CRANKCASE SYSTEM



No.	R/N	Parts No.	Parts Name	No.Req'd	Inte	Remarks	Serial No.(From~To)
-----	-----	-----------	------------	----------	------	---------	---------------------

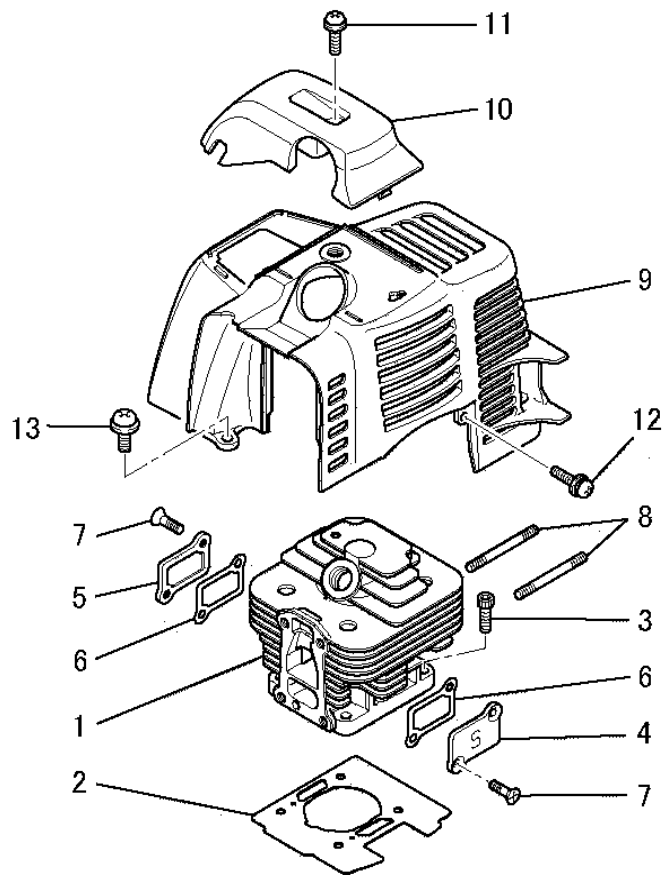
13		KH90078AA	COVER	1			
----	--	-----------	-------	---	--	--	--

## 2.CYLINDER, TOP COVER SYSTEM



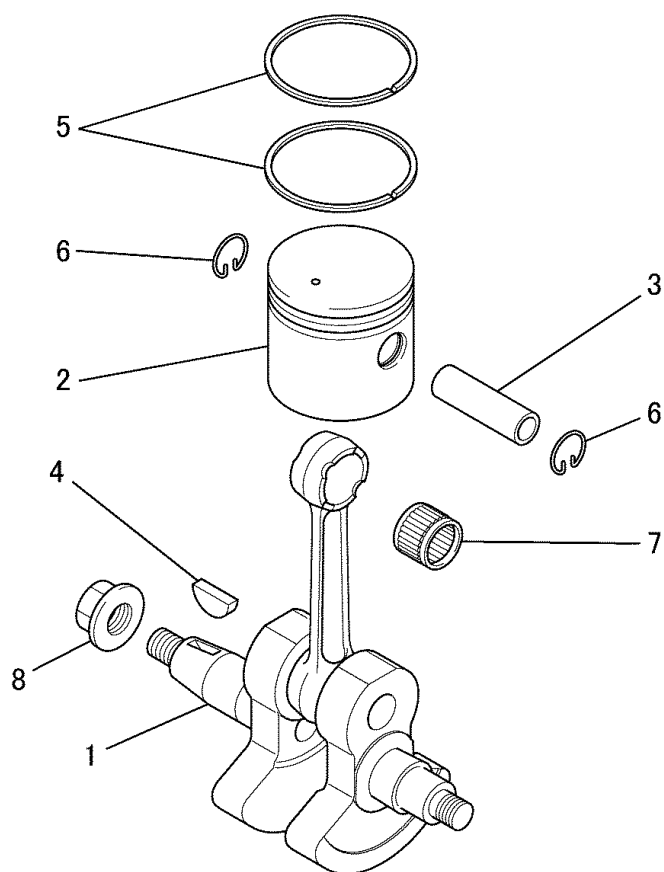
No.	R/N	Parts No.	Parts Name	No.Req'd	Inte	Remarks	Serial No.(From~To)
1		KC13025AA	CYLINDER	1			
2		KW32027AA	GASKET,CYLINDER	1			
3		B121C05X020	BOLT,SCH	4			
4		KC90020AA	COVER	1			
5		KC90021AA	COVER	1			
6		KW39083AA	GASKET	2			
7		KU12031AA	SCREW,CTSK-CRS	4			
8		B151B06X050	BOLT,STUD	2			
9		KH40120BA	COVER, TOP	1			
10		KH70022AA	GUARD, PLUG	1			
11		H071D05X020K	SCREW&WASHER	1			
12		KU12018CA	SCREW&WASHER	1			

## 2.CYLINDER, TOP COVER SYSTEM



No.	R/N	Parts No.	Parts Name	No.Req'd	Inte	Remarks	Serial No.(From~To)
13		KU12018BA	SCREW&WASHER	1			

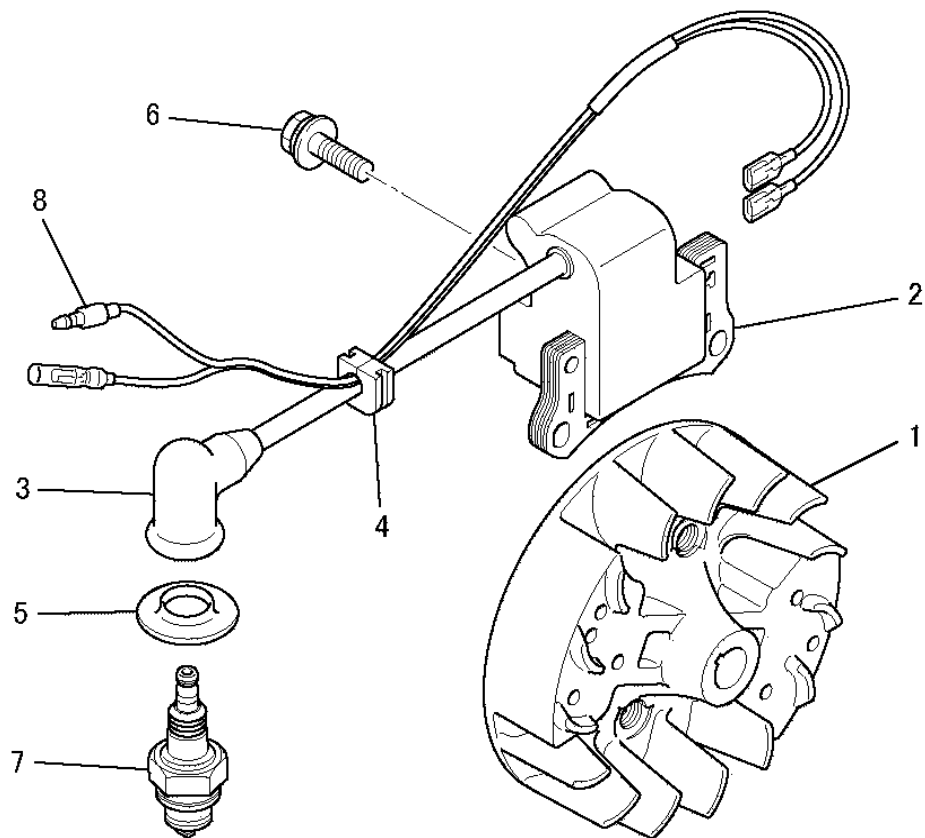
### 3. CRANKSHAFT & PISTON SYSTEM



No.	R/N	Parts No.	Parts Name	No. Req'd	Inte	Remarks	Serial No. (From ~ To)
1		KD01037AA	CRANKSHAFT ASSY	1			
2		KP13018AA	PISTON	1			
3		KP52001AA	PIN, PISTON	1			
4		W430B03X013	KEY, WOODRUFF	1			
5		KP23004AA	RING, TOP	2			
6		FR34111	CLIP, PISTON PIN	2			
7		KW12016AA	BEARING, NEEDLE	1			
8		ZZ70028C	NUT, CONICAL SPG	1			

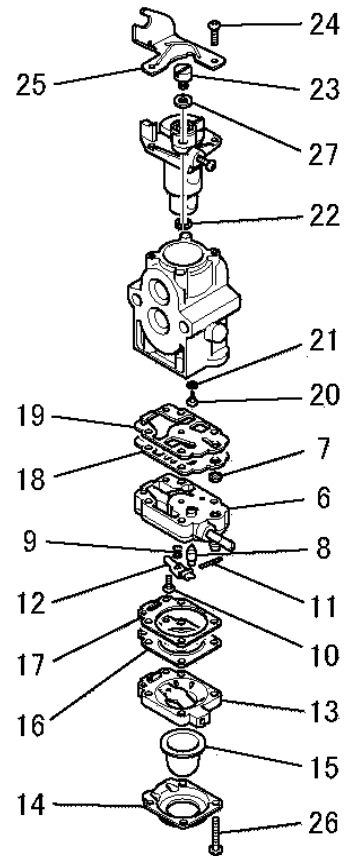
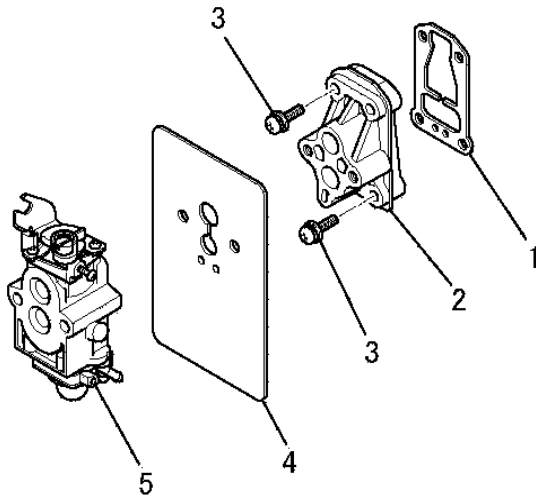


## 4. FLYWHEEL MAGNETO SYSTEM



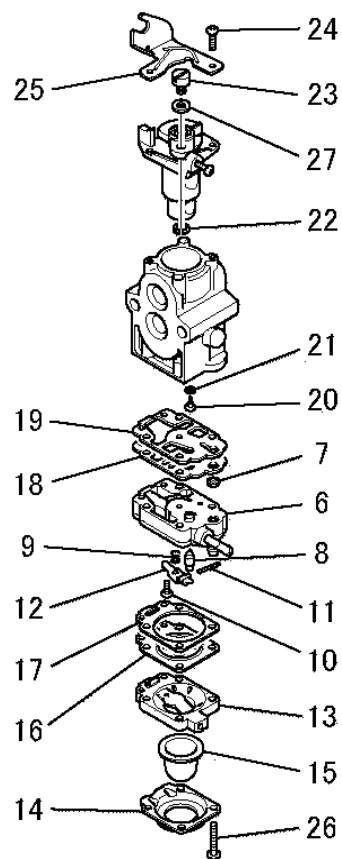
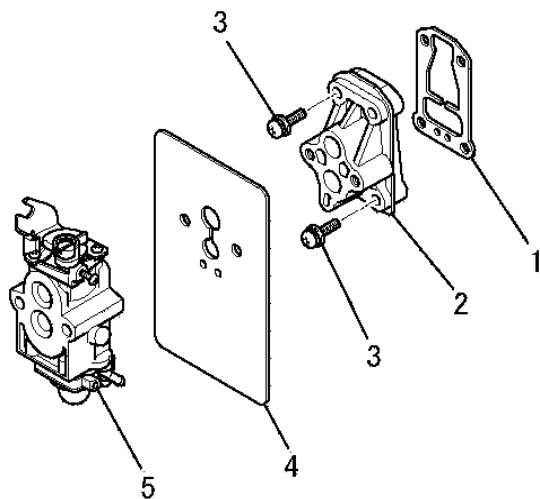
No.	R/N	Parts No.	Parts Name	No. Req'd	Inte	Remarks	Serial No. (From ~ To)
1		KE11033AA	ROTOR	1			
2		KE04034BA	COIL, IGNITION	1		INCL. NO. 3	
3		FR64961	CAP, PLUG	1			
4		KE90001BA	GROMMET	1			
5		FR66751	CAP, PLUG	1			
6		FR64569A	BOLT & WASHER	2			
7		KE41011AA	PLUG, SPARK	1		NGK BPMR8Y	
8		KE90106AA	WIRE, LEAD	1			

# 5. CARBURETOR SYSTEM



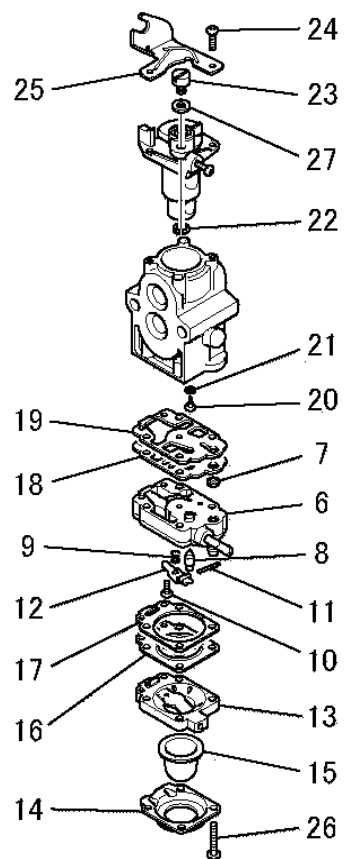
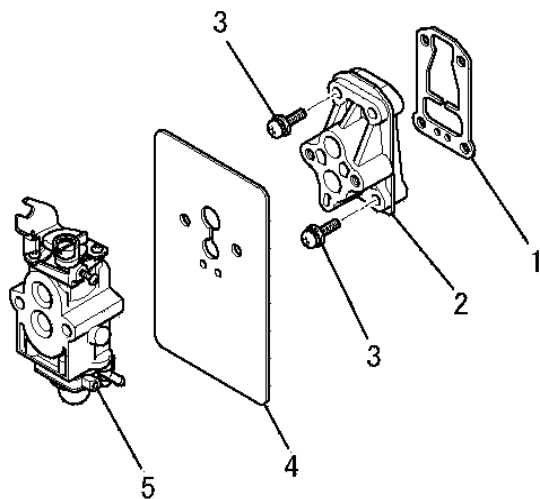
No.	R/N	Parts No.	Parts Name	No.Req'd	Inte	Remarks	Serial No.(From~To)
1		KW34067AA	GASKET , INSULATOR	1			
2		KK31033AA	INSULATOR	1			
3		FR64960E	SCREW&WASHER	4			
4		KW39117AA	GASKET , CARBURETOR	1			
5		KK22083CB	CARBURETOR (D)	1		INCL.NO.6-27	
6		KK22016AA002	BODY , PUMP	1		INCL.NO.7-12	
7		KK21009AA002	SCREEN	1			
8		KK22007AA003	VALVE , NEEDLE	1			
9		KK23002AA005	SPRING	1			
10		KK22007AA005	SCREW	1			
11		FR66652XX027	PIN	1			
12		FR66652XX029	LEVER	1			

# 5. CARBURETOR SYSTEM



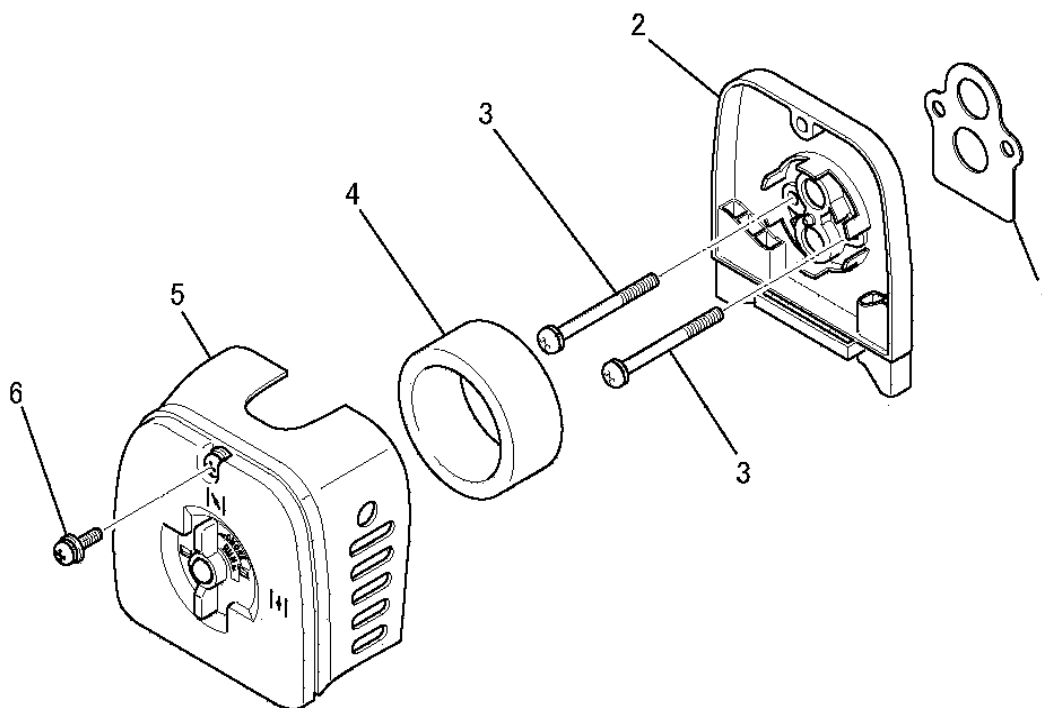
No.	R/N	Parts No.	Parts Name	No.Req'd	Inte	Remarks	Serial No.(From~To)
13		KK22007AA006	BODY	1			
14		KK22007AA007	COVER	1			
15		KK21017AA013	CAP	1			
16		KK21050AA006	DIAPHRAGM	1			
17		KK22007AA012	GASKET	1			
18		KK21017AA005	DIAPHRAGM	1			
19		KK21028AA009	GASKET	1			
20		KK21041AA110	JET	1			
21		KK21017AA002	O-RING	1			
22		FR66652XX032	CLIP	1			
23		KK21024AA022	HOLDER, WIRE	1			
24		KK21017AA021	SCREW	2			

# 5. CARBURETOR SYSTEM



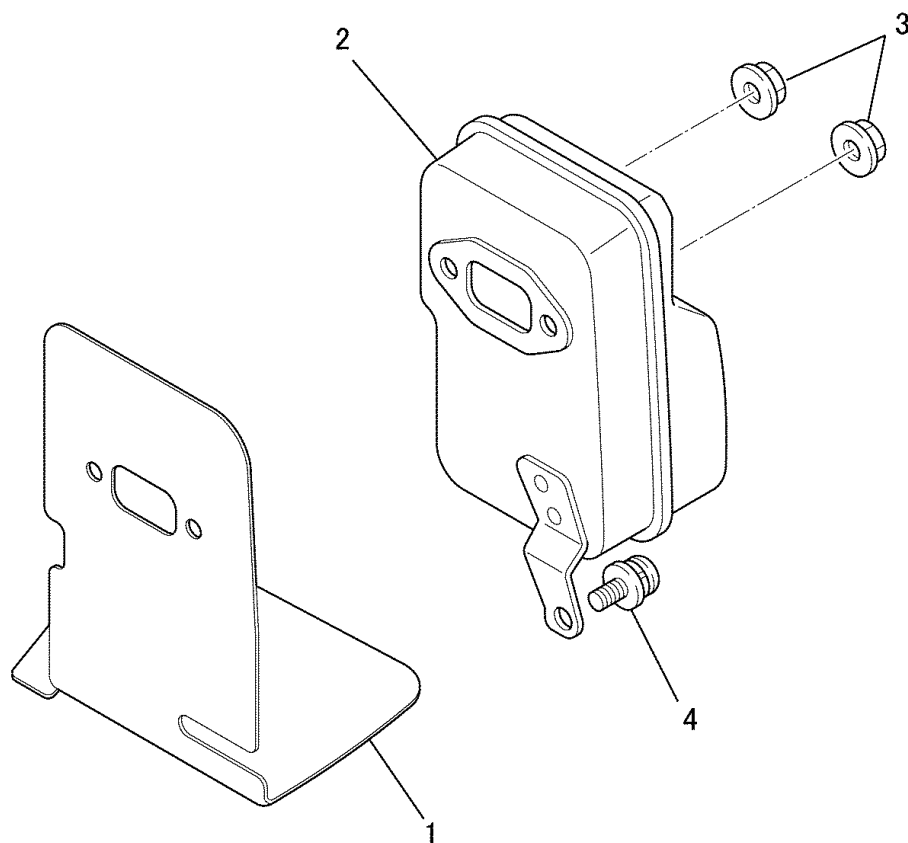
No.	R/N	Parts No.	Parts Name	No.Req'd	Inte	Remarks	Serial No.(From~ To)
25		KK21052CA016	BRACKET	1			
26		KK22007AA019	SCREW	4			
27		KK22004EA024	WASHER	1			

## 6. AIR CLEANER SYSTEM



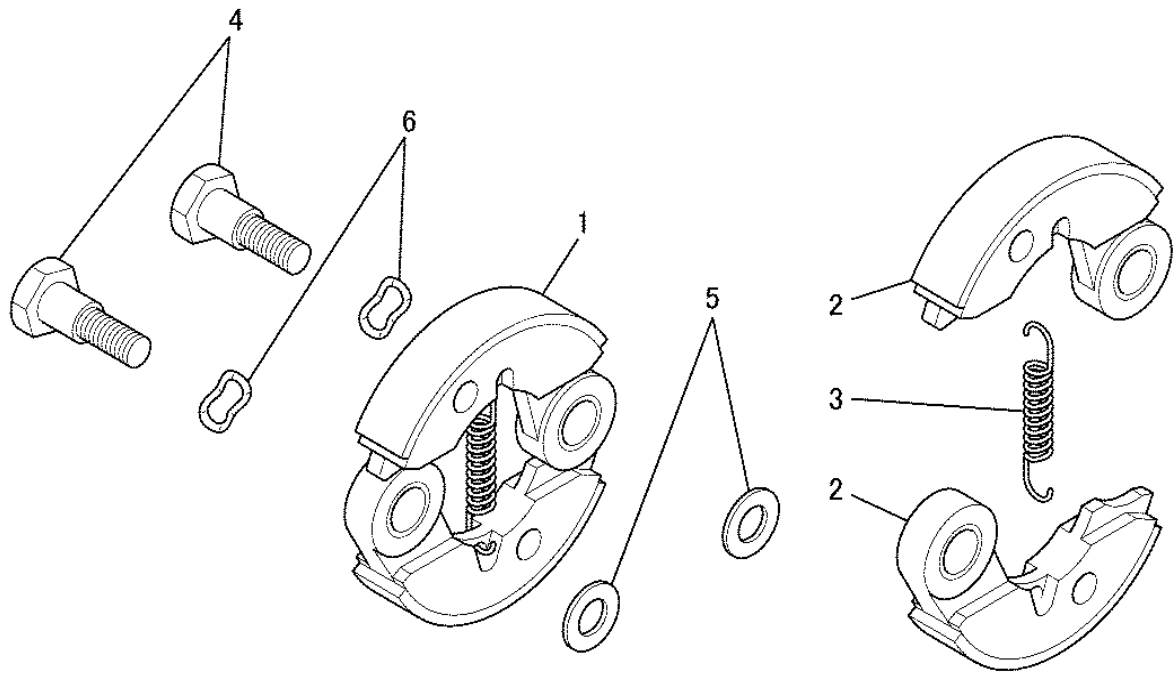
No.	R/N	Parts No.	Parts Name	No. Req'd	Inte	Remarks	Serial No. (From ~ To)
1		KW39087AA	GASKET, AIR CLEANER	1			
2		KA10044AA	CASE, CLEANER	1			
3		H071D05X050	SCREW&WASHER	2			
4		KA40080AA	ELEMENT, CLEANER	1			
5		KA02034AB	COVER, CLEANER	1		INCL. NO. 6	
6		FR64960D	SCREW&WASHER	1			

# 7. MUFFLER SYSTEM



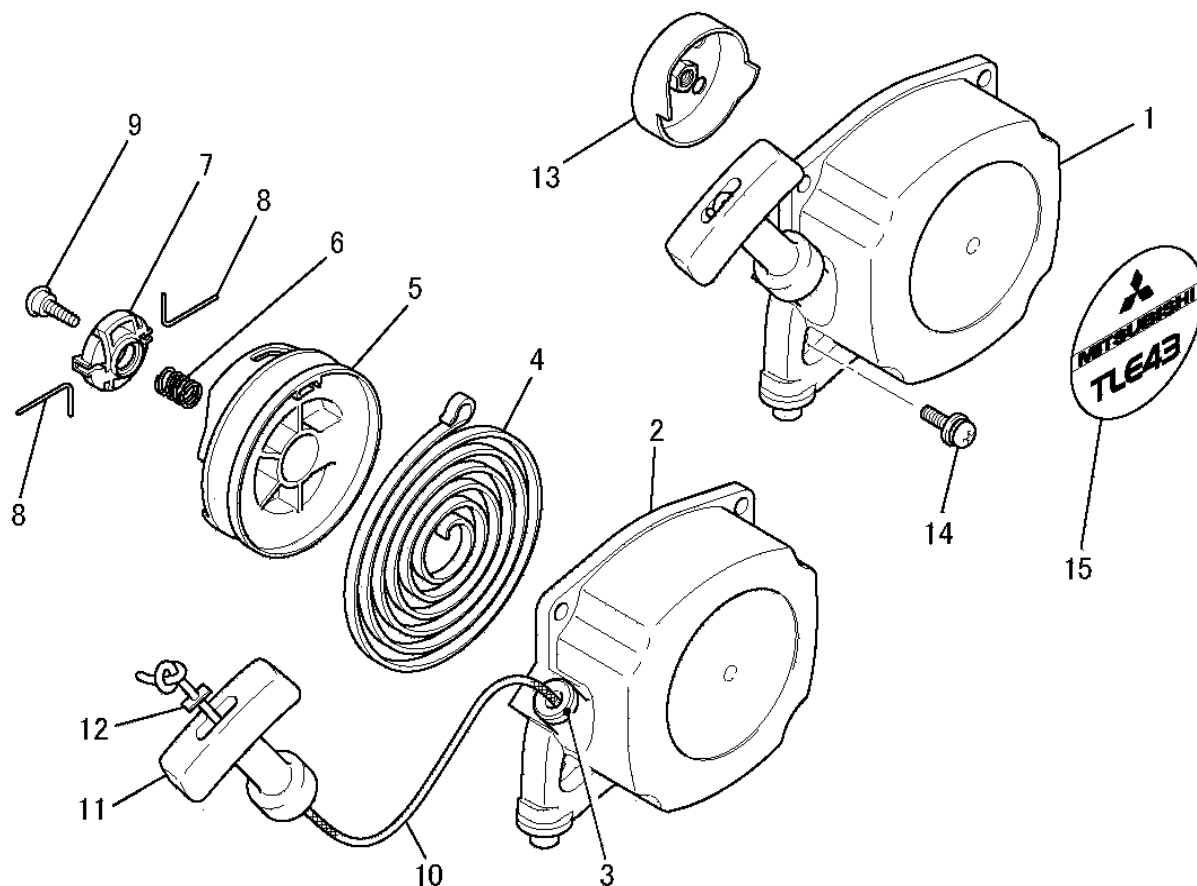
No.	R/N	Parts No.	Parts Name	No. Req'd	Inte	Remarks	Serial No. (From ~ To)
1		KM70080AA	GASKET ,MUFFLER	1			
2		KM01098AA	MUFFLER ASSY	1			
3		N801A06	NUT ,FLANGE	2			
4		H071D05X012K	SCREW&WASHER	1			

## 8. CLUTCH SYSTEM



No.	R/N	Parts No.	Parts Name	No. Req'd	Inte	Remarks	Serial No. (From ~ To)
1		KT01054AA	CLUTCH ASSY	1		INCL. NO. 2, 3	
2		KT12002BA	SHOE, CLUTCH	2			
3		KT01054AA002	SPRING	1			
4		KT14001AA	BOLT, CLUTCH	2			
5		FR67347	WASHER	2			
6		KU36001AA	WASHER	2			

## 9.RECOIL STARTER SYSTEM

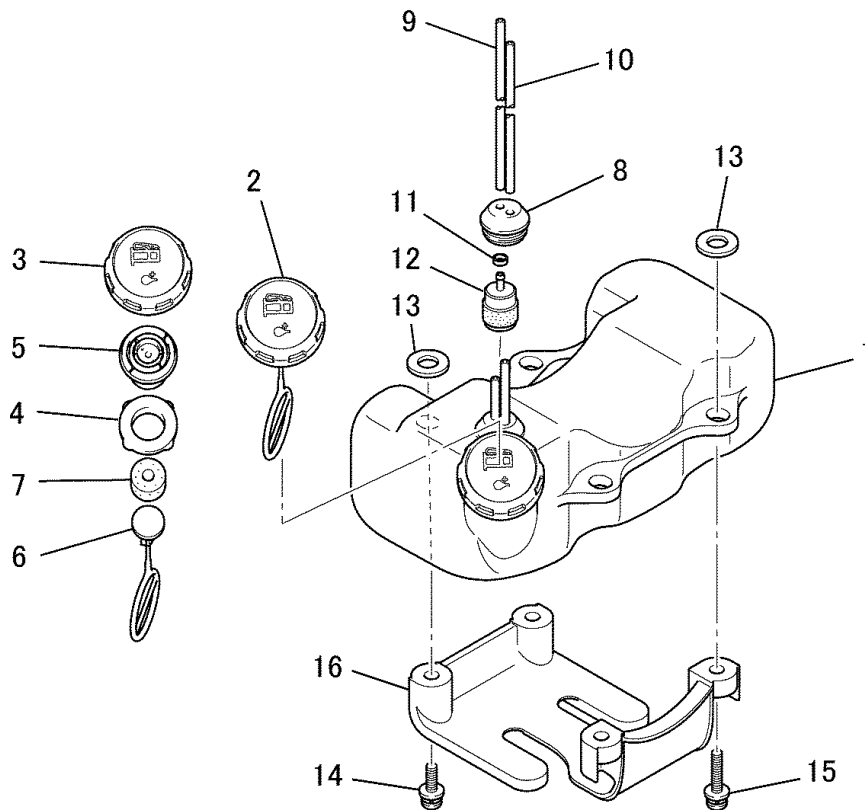


No.	R/N	Parts No.	Parts Name	No.Req'd	Inte	Remarks	Serial No.(From~To)
1		KS20094AB	RECOIL STARTER	1		INCL.NO.2-12	
2		KS20094AB001	RECOIL STARTER	1		INCL.NO.3	
3		KS20021AA006	GUIDE	1			
4		KS20094AA005	SPRING, SPIRAL	1			
5		KS20094AA006	REEL	1			
6		KS20094AA007	SPRING	1			
7		KS20094AA008	SPACER	1			
8		KS20094AA009	LEVER	2			
9		KS20094AA010	SCREW	1			
10		KS20094AB012	ROPE, STARTER	1			
11		FR66881XX011	KNOB, STARTER	1			
12		KS20097AA010	STOPPER	1			



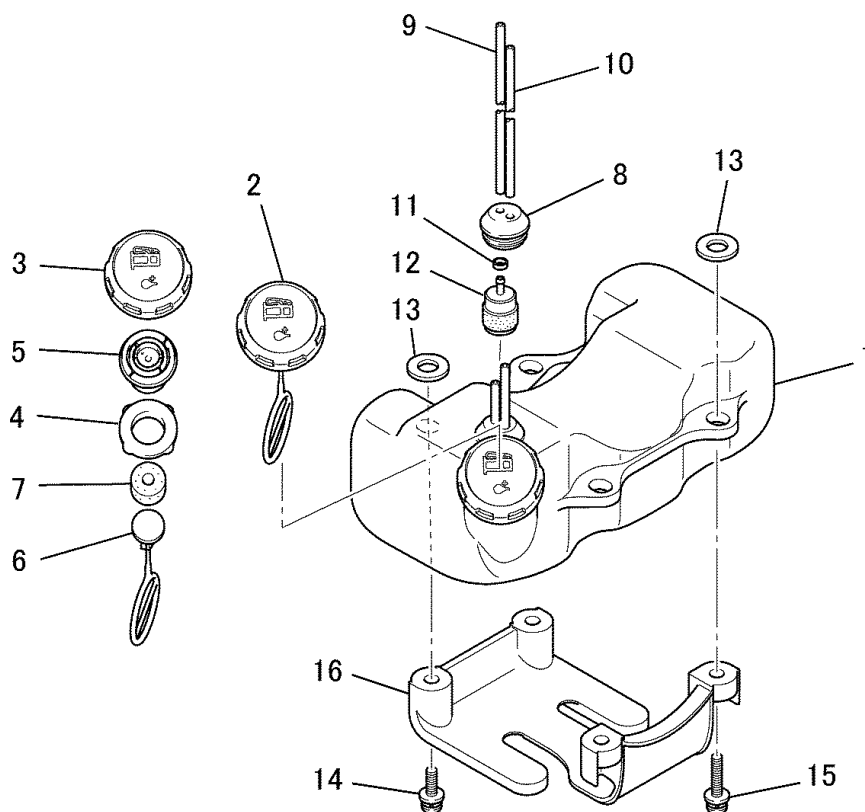


# 10.FUEL TANK SYSTEM



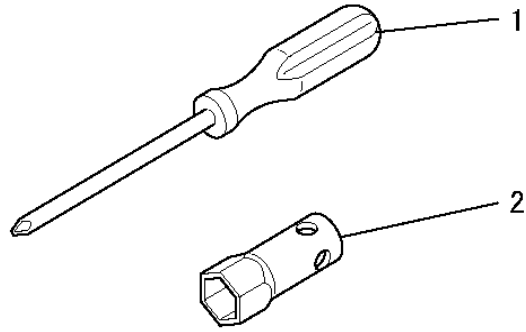
No.	R/N	Parts No.	Parts Name	No.Req'd	Inte	Remarks	Serial No.(From~To)
1		KF01082BB	FUEL TANK ASSY	1		INCL.NO.2-12	
2		KF05023BA	TANK CAP ASSY	1		INCL.NO.3-7	
3		KF21012AA	CAP ,FUEL TANK	1			
4		KF90155AA	PACKING	1			
5		KF09038AA	BREATHER VALVE ASSY	1			
6		KF90062AB	HOLDER	1			
7		KF90154AA	SPONGE	1			
8		KF90048AA	PLUG	1			
9		KF70011HA	TUBE ,FUEL	1		L=220	
10		KF70031BA	TUBE ,FUEL	1		L=75	
11		KF01033AA007	BUSH	1			
12		KF40004AA	FILTER ,FUEL	1			

# 10.FUEL TANK SYSTEM



No.	R/N	Parts No.	Parts Name	No.Req'd	Inte	Remarks	Serial No.(From ~ To)
13		KF80008AA	PAD	4			
14		KU12018BA	SCREW&WASHER	2			
15		KU12018DA	SCREW&WASHER	2			
16		KT30024AA	STAND, ENGINE	1			

# 12.TOOL SET



No.	R/N	Parts No.	Parts Name	No.Req'd	Inte	Remarks	Serial No.(From~To)
1		KN13001AA	DRIVER,SCREW	1			
2		FR53718A	WRENCH,SOCKET	1			