

This catalog covers:  
**TJ045E-□L40**

This fig. covers:  
**TITLE**

# PARTS CATALOG

## 2-STROKE ENGINE

### TJ045E

PRODUCT CODE	NOTE
TJ045E-AL40	BRUSH-CUTTER (CFB8D)



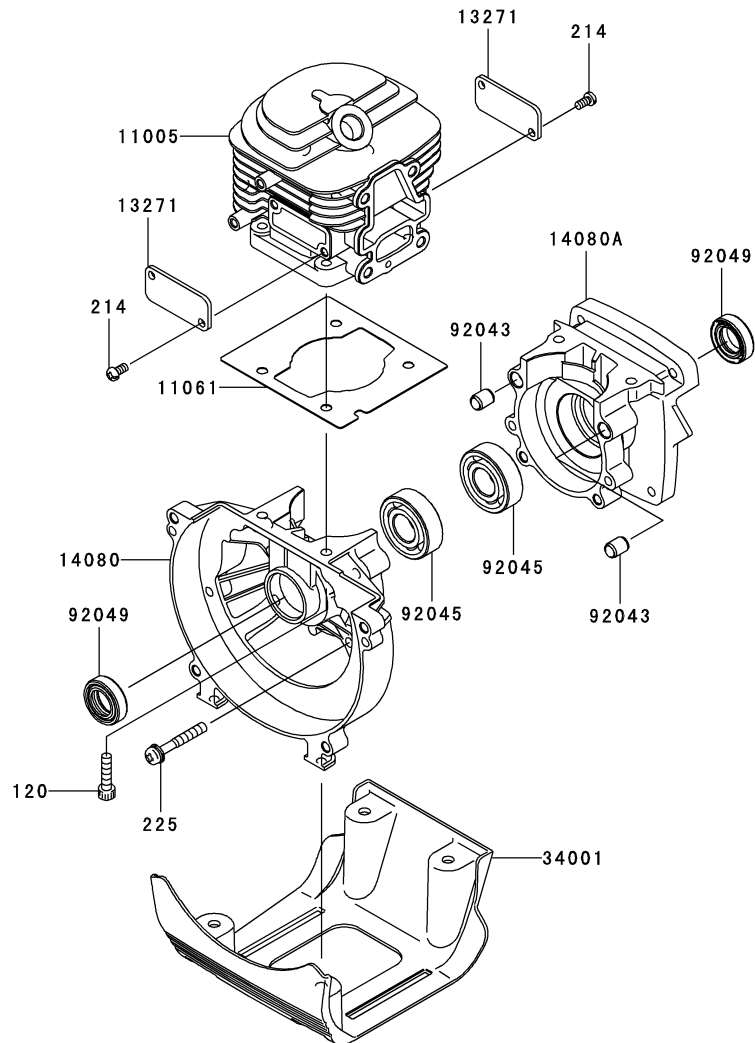
This catalog covers:

**TJ045E- □ L40**

This fig. covers:

**01 CYLINDER/CRANKCASE**

E0110-A586A



Ref. No.	Part No.	Description	Quantity
11005	11005-2159	CYLINDER-ENGINE	1
11061	11061-2173	GASKET,CYLINDER	1
13271	13271-2262	PLATE	2
14080	14080-2062	CRANKCASE	1
14080A	14080-2063	CRANKCASE	1
34001	34001-2089	STAND	1
92043	92043-1302	PIN	2
92045	92045-2279	BEARING-BALL,6202C3	2
92049	92049-2259	SEAL-OIL,ISCD-15-25-7-F	2
120	120CB0520	BOLT-SOCKET,5X20	4
214	214AA0408	SCREW-PAN+-,4X8	4
225	225AA0535	SCREW-PAN-WSP-CROS,5X35	4

This catalog covers:

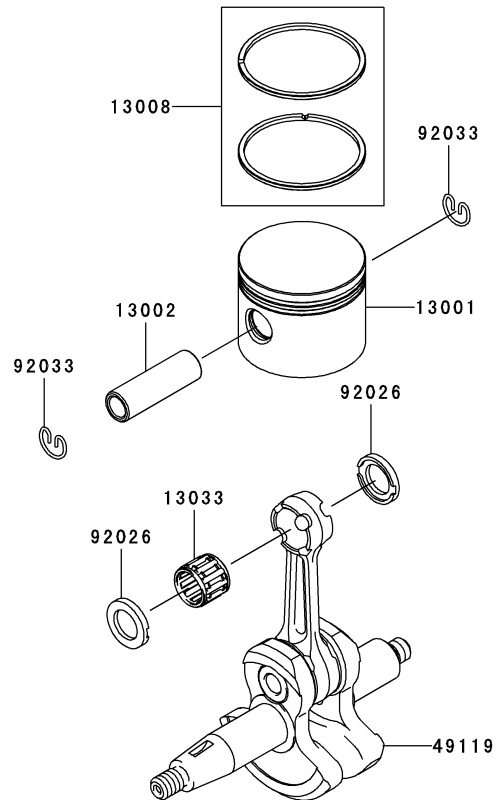
**TJ045E- □ L40**

**02**

This fig. covers:

**PISTON/CRANKSHAFT**

E0120-A373A



Ref. No.	Part No.	Description	Quantity
13001	13001-2166	PISTON-ENGINE	1
13002	13002-2067	PIN-PISTON	1
13008	13008-6067	RING-SET-PISTON	1
13033	13033-2063	BEARING-SMALL END	1
49119	49119-2231	CRANKSHAFT-ASSY	1
92026	92026-2353	SPACER	2
92033	92033-2058	RING-SNAP	2

This catalog covers:

**TJ045E-** □ **L40**

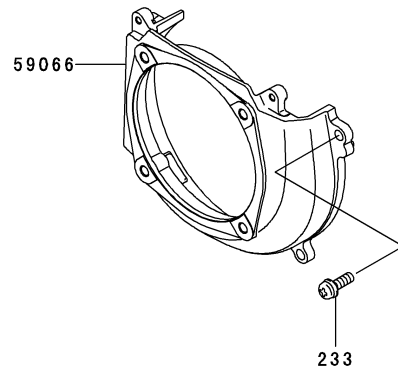
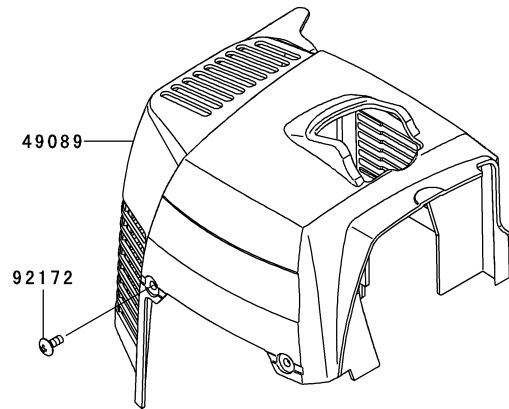
**03**

This fig. covers:

**COOLING-EQUIPMENT**

E0150-A827A

Ref. No.	Part No.	Description	Quantity
49089	49089-2631	SHROUD-ENGINE	1
59066	59066-2797	HOUSING-FAN	1
92172	92172-2060	SCREW,4X10	2
233	233AA0516	SCREW-PAN-WP+-.5X16	4



This catalog covers:

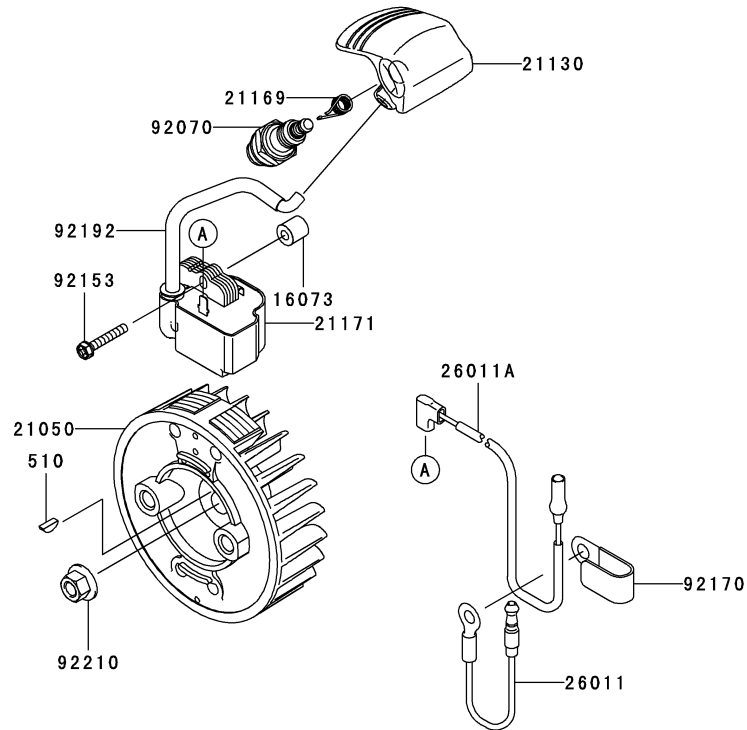
**TJ045E- □ L40**

**04**

This fig. covers:

**ELECTRIC-EQUIPMENT**

E0160-B201A

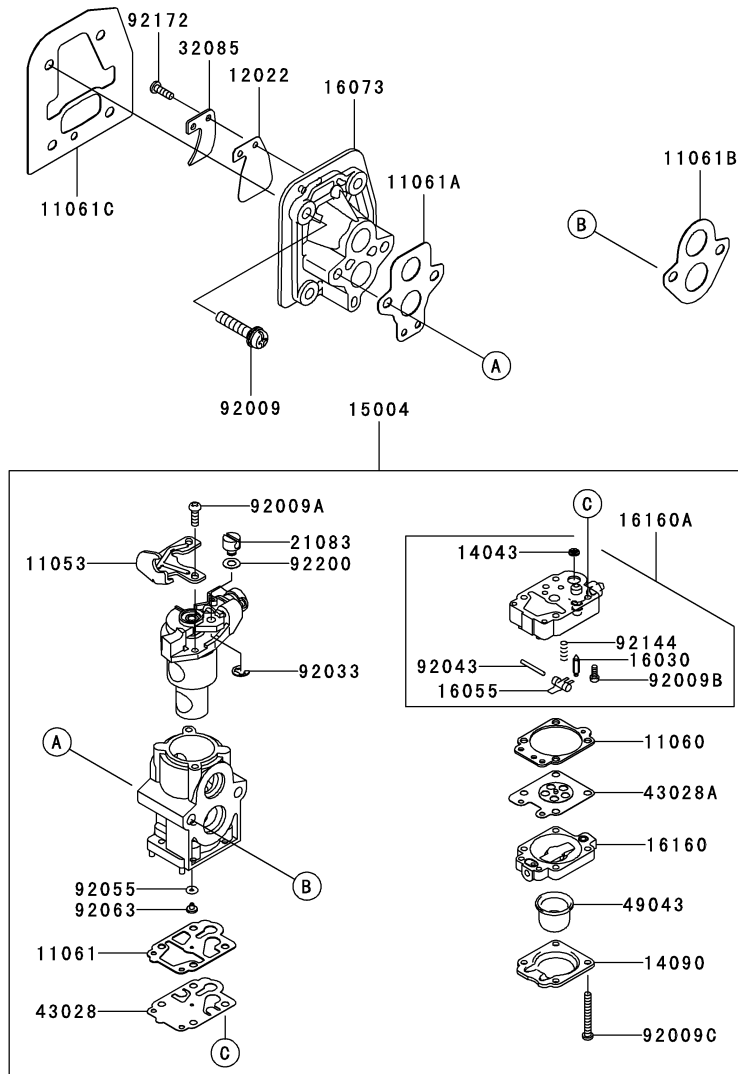


Ref. No.	Part No.	Description	Quantity
16073	16073-2220	INSULATOR	2
21050	21050-2313	FLYWHEEL	1
21130	21130-2072	CAP-SPARK PLUG	1
21169	21169-2051	TERMINAL	1
21171	21171-2250	COIL-ASSY-IGNITION	1
26011	26011-2113	WIRE-LEAD	1
26011A	26011-2361	WIRE-LEAD,L=230	1
92070	92070-2107	PLUG-SPARK,BPMR7A(NGK),SOLID	1
92153	92153-2135	BOLT,4X25	2
92170	92170-2041	CLAMP	1
92192	92192-2165	TUBE,6X6.6X80	1
92210	92210-2101	NUT,M8	1
510	510A3100	KEY-WOODRUFF	1

This catalog covers:  
**TJ045E- □ L40**

**05** This fig. covers:  
**CARBURETOR**

E0180-A745A



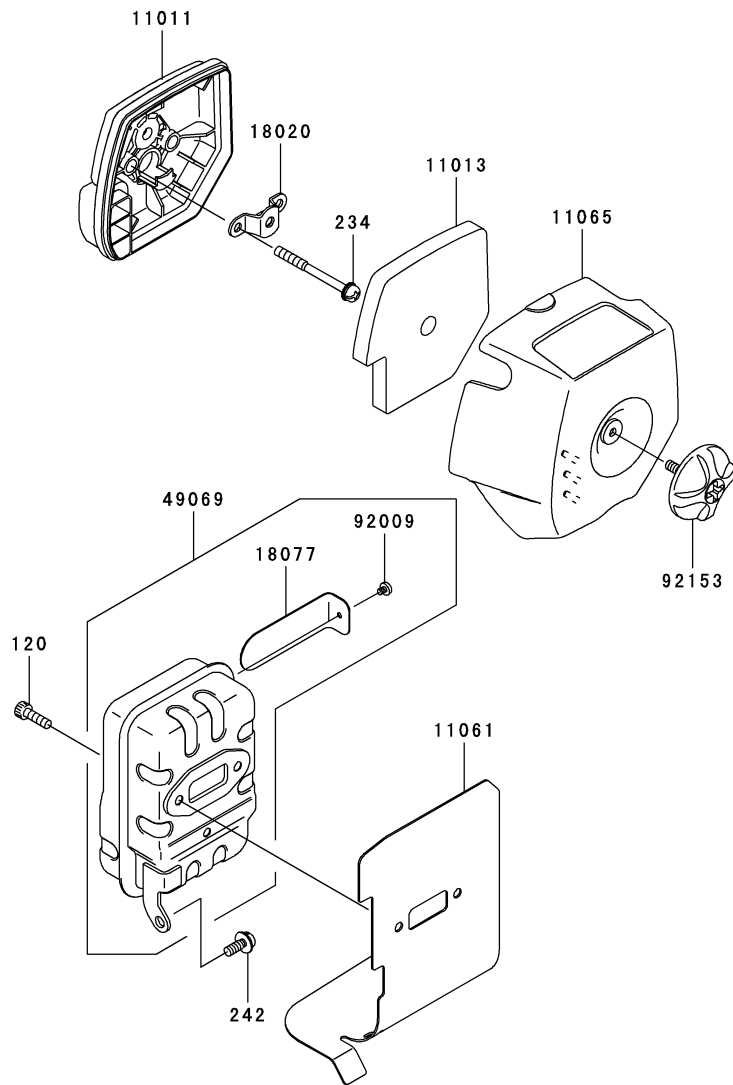
Ref. No.	Part No.	Description	Quantity
11053	11053-2066	BRACKET	1
11060	11060-2111	GASKET	1
11061	11061-2054	GASKET	1
11061A	11061-2175	GASKET,CARBURETOR-INSULATOR	1
11061B	11061-2176	GASKET	1
11061C	11061-2178	GASKET,CYLINDER-INSULATOR	1
12022	12022-2059	VALVE-REED	1
14043	14043-2051	FILTER	1
14090	14090-2017	COVER,PRIMER PUMP	1
15004	15004-2060	CARBURETOR-ASSY	1
16030	16030-2078	VALVE-FLOAT	1
16055	16055-2051	LEVER	1
16073	16073-2236	INSULATOR	1
16160	16160-2089	BODY	1
16160A	16160-2103	BODY	1
21083	21083-2073	ARM	1
32085	32085-2105	STOPPER	1
43028	43028-2067	DIAPHRAGM	1
43028A	43028-2096	DIAPHRAGM	1
49043	49043-2067	PUMP-PRIMING	1
92009	92009-2235	SCREW,5X25	4
92009A	92009-2277	SCREW	2
92009B	92009-2336	SCREW	1
92009C	92009-2337	SCREW	4
92033	92033-2078	RING-SNAP	1
92043	92043-2094	PIN	1
92055	92055-2147	RING-O	1
92063	92063-2483	JET-MAIN,#40	1
92144	92144-2308	SPRING	1
92172	92172-2091	SCREW,3X12	1
92200	92200-2074	WASHER	1

This catalog covers:  
**TJ045E- □ L40**

**06**

This fig. covers:  
**AIR-FILTER/MUFFLER**

E0190-B015A



Ref. No.	Part No.	Description	Quantity
11011	11011-2362	CASE-AIR FILTER	1
11013	11013-2226	ELEMENT-AIR FILTER	1
11061	11061-2174	GASKET,MUFFLER	1
11065	11065-2123	CAP	1
18020	18020-2091	BAFFLE	1
18077	18077-2137	ARRESTER-SPARK	1
49069	49069-2430	MUFFLER-ASSY	1
92009	92009-2411	SCREW	1
92153	92153-2128	BOLT	1
120	120CB0516	BOLT-SOCKET,5X16	2
234	234AA0555	SCREW-PAN-WSP+,5X55	2
242	242AA0514	SCREW-PAN-WSP+,5X14	1





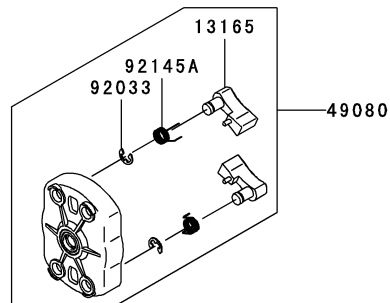
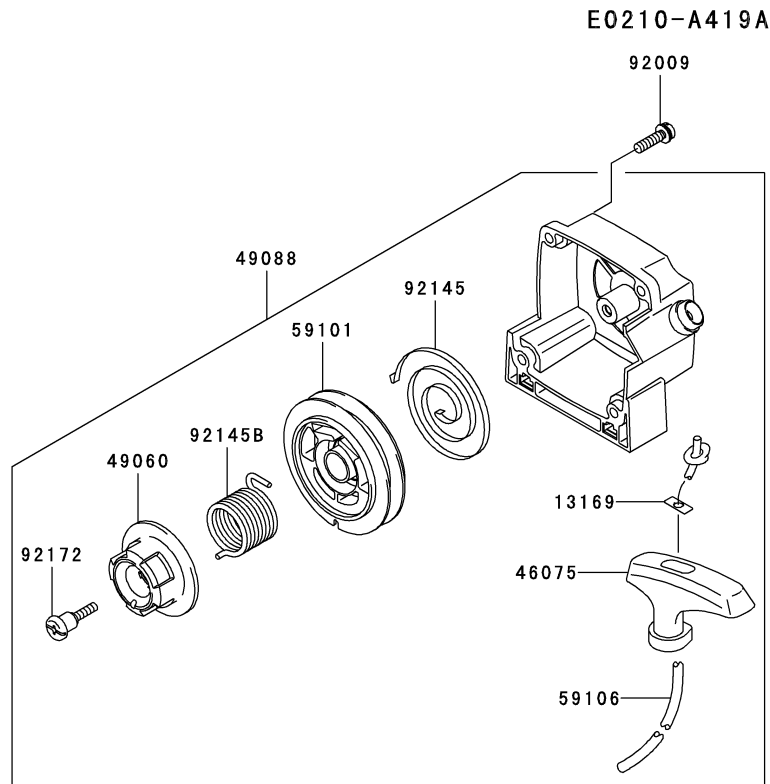
This catalog covers:

**TJ045E- □ L40**

**08**

This fig. covers:

**STARTER**



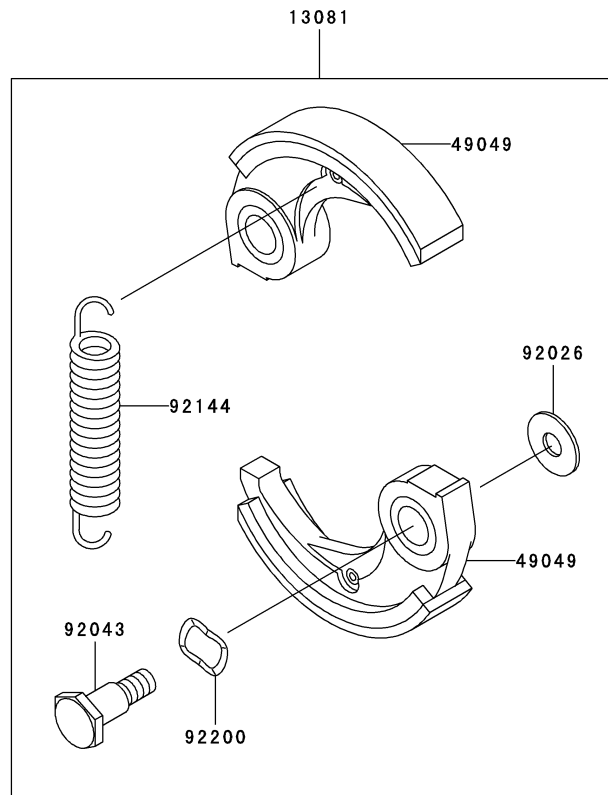
Ref. No.	Part No.	Description	Quantity
13165	13165-2107	PAWL	2
13169	13169-2386	PLATE,RECOIL STARTER	1
46075	46075-2129	GRIP,RECOIL STARTER	1
49060	49060-2065	CAM,STARTER-RECOIL	1
49080	49080-2205	PULLEY-STARTING	1
49088	49088-2559	STARTER-RECOIL	1
59101	59101-2120	REEL,STARTER-RECOIL	1
59106	59106-2064	ROPE,3.8X950	1
92009	92009-2249	SCREW,5X20	4
92033	92033-2010	RING-SNAP	2
92145	92145-2112	SPRING,SPIRAL	1
92145A	92145-2148	SPRING	2
92145B	92145-2150	SPRING	1
92172	92172-2100	SCREW	1

This catalog covers:  
**TJ045E- □ L40**

**09**

This fig. covers:  
**P.T.O-EQUIPMENT**

E0220-A008D



Ref. No.	Part No.	Description	Quantity
13081	13081-2220	CLUTCH-ASSY	1
49049	49049-2075	SHOE-CLUTCH	2
92026	92026-2125	WASHER	2
92043	92043-2210	PIN,CLUTCH	2
92144	92144-2390	SPRING	1
92200	92200-2064	WASHER,SPRING,10.5X14.5X0.3	2

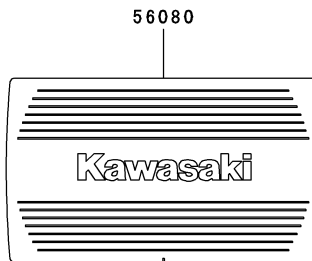
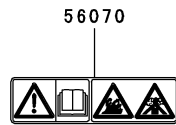
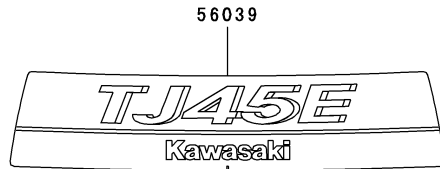
This catalog covers:  
**TJ045E- □ L40**

**10**

This fig. covers:  
**LABEL**

F0290-B385A

Ref. No.	Part No.	Description	Quantity
56039	56039-2954	LABEL-PRODUCT	1
56070	56070-2020	LABEL-WARNING	1
56080	56080-2413	LABEL-BRAND	1



*This catalog covers:*

**TJ045E- □ L40**

*This fig. covers:*

---

## PART NAME INDEX

AIR-FILTER/MUFFLER.....	06
CARBURETOR.....	05
COOLING-EQUIPMENT.....	03
CYLINDER/CRANKCASE .....	01
ELECTRIC-EQUIPMENT.....	04
FUEL-TANK/FUEL-VALVE.....	07
LABEL.....	10
P.T.O-EQUIPMENT.....	09
PISTON/CRANKSHAFT .....	02
STARTER.....	08

