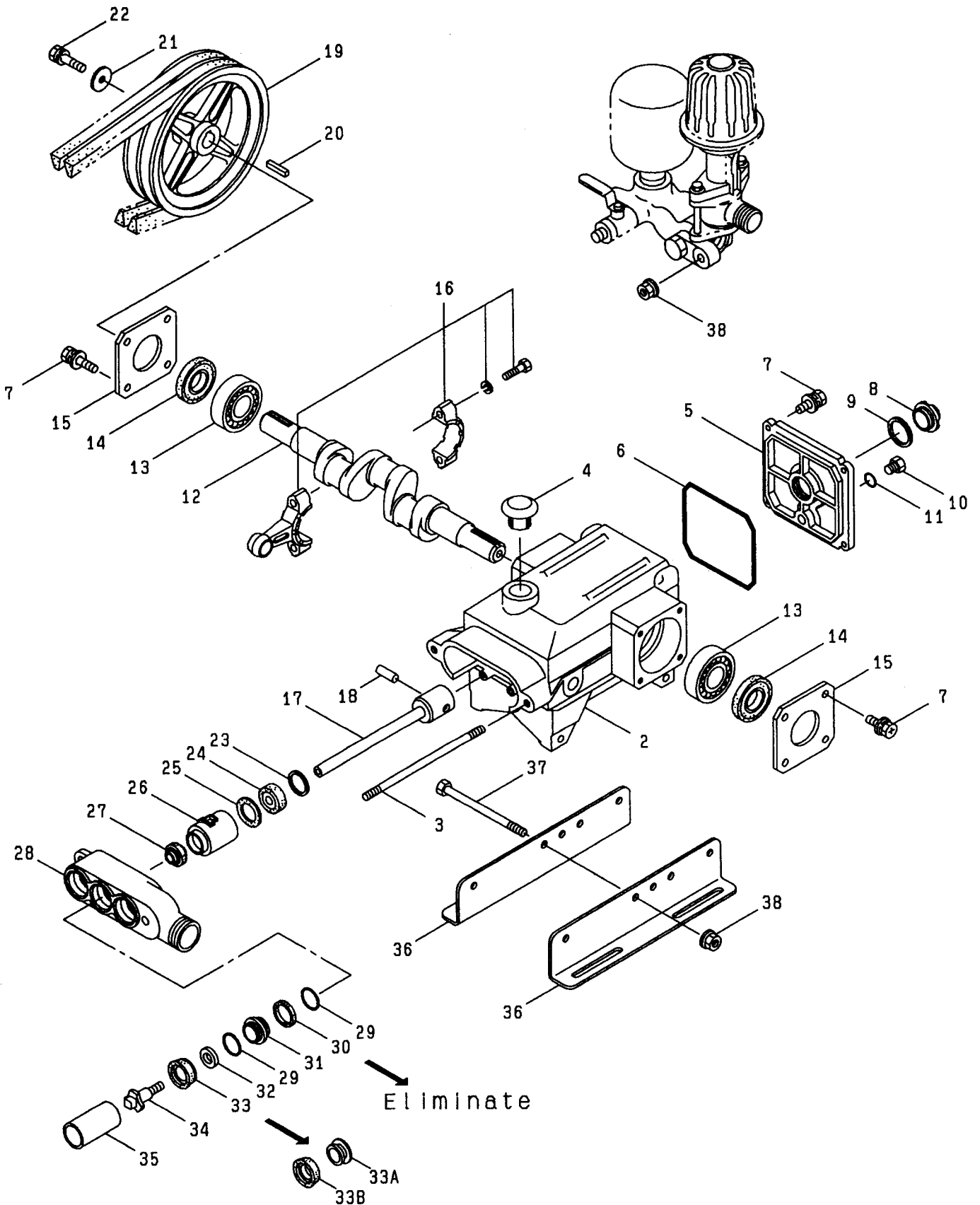


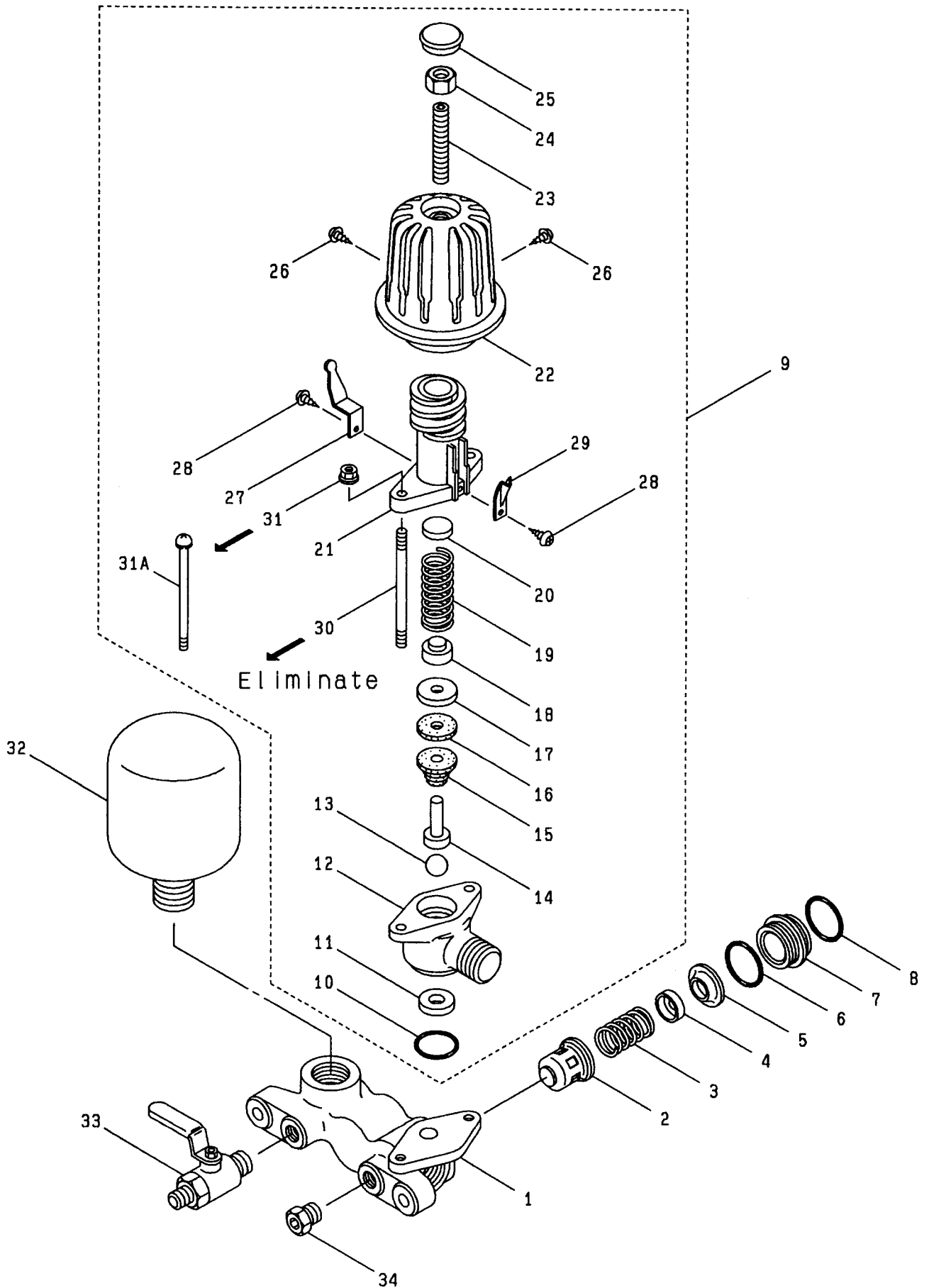
PARTS LIST MODEL SS5550

1. CRANKCASE, INLET VALVE



Ref. No.	Part No.	Part Name	Q'ty	Remarks
1 - 1	353961	SS5550	1	
1 - 2	117480	Crankcase	1	
1 - 3	085195	Stud	2	M8 × 140 × 11 × 18
1 - 3A	085203	Stud	2	M8 × 150 × 11 × 18
1 - 4	117420	Cap	1	
1 - 5	117421	Rear Cover, Crankcase	1	
1 - 6	014041	O - Ring, Rear Cover	1	S100
1 - 7	092519	Bolt	12	M6 × 16
1 - 8	043987	Oil Gauge	1	
1 - 9	044428	Packing	1	φ 25 × φ 34 × t2.5
1 - 10	025625	Drain Plug	1	PF1/4
1 - 11	023170	O - Ring	1	P12.5
1 - 12	117422	Crankshaft	1	
1 - 13	014487	Bearing	2	# 6304
1 - 14	117423	Oil Seal	2	D20 52 8
1 - 15	117424	Plate	2	
1 - 16	117482	Connecting Rod Assy	3	
1 - 17	117426	Piston Rod	3	
1 - 18	016948	Piston Pin	3	
1 - 19	100837	V - Pulley	1	A × 2 - 152
1 - 20	014543	Key	1	5 × 5 × 25L
1 - 21	100836	Washer	1	φ 8.5 × φ 30 × t3.2
1 - 22	092521	Bolt	1	M8 × 20
1 - 23	020017	Washer	3	φ 17 × φ 24 × t1.2
1 - 24	025461	Oil Seal	3	S10.5 24 7
1 - 25	026854	Washer	3	φ 20 × φ 28 × t1.2
1 - 26	117576	Seal Retainer	3	
1 - 27	114725	Seal	3	
1 - 28	117428	Manifold, Inlet	1	
1 - 29	015862	O - Ring	6	P21
1 - 30	017563	Packing	1	φ 25 × φ 28.5 × t0.5
1 - 30A	—	—	—	
1 - 31	016957	Adapter	3	
1 - 32	117430	Inlet Valve Seat	3	φ 6.1 × φ 20 × t2.8
1 - 32A	014122	Inlet Valve Seat	3	φ 6.1 × φ 20 × t2.8
1 - 33	117431	Piston Packing	3	
1 - 33A	022930	Inlet Valve	3	
1 - 33B	016958	Piston Packing	3	
1 - 34	117432	Piston Retainer	3	
1 - 35	117750	Cylinder	3	φ 25 × φ 28.5 × 55L
1 - 36	117438	Angle Rail	2	
1 - 37	080275	Bolt	2	M8 × 115 × 30
1 - 38	101804	Nut	4	M8

2.DISCHARGE VALVE,PRESSURE REGULATOR VALVE



Ref. No.	Part No.	Part Name	Q'ty	Remarks
2-1	117539	Manifold, Discharge	1	
2-2	022841	Retainer	3	
2-3	022031	Spring	3	
2-4	117435	Discharge Valve	3	
2-4A	022842	Discharge Valve	3	
2-5	029487	Discharge Valve Seat	3	
2-6	023172	O - Ring	3	P22
2-7	022931	Adapter	3	
2-8	015862	O - Ring	3	P21
2-9	117439	Pressure Regulator Valve Assy	1	Incl. 10~31
2-10	014179	O - Ring	1	P20
2-11	117443	Valve Seat	1	
2-12	117442	Body	1	
2-13	011531	Valve Ball	1	1/2
2-13A	103761	Valve Ball	1	1/2
2-14	117447	Valve Rod	1	
2-15	011451	Bellows	1	
2-16	016972	Bellows Packing	1	$\phi 5 \times \phi 22 \times t1.5$
2-17	117615	Washer	1	$\phi 6.2 \times \phi 22 \times t2.6$
2-18	105521	Retainer	1	
2-19	105520	Spring	1	
2-20	019917	Retainer	1	
2-21	117448	Case	1	
2-22	108590	Grip	1	
2-22A	118318	Grip	1	
2-23	088975	Screw	1	M10 \times 48
2-24	084015	Nut	1	M10
2-25	105518	Cap	1	
2-26	089899	Tapping Screw	2	M4 \times 13
2-27	117441	Indicator	1	
2-28	082744	Tapping Screw	2	M4 \times 6
2-29	117440	Plate	1	
2-30	085134	Stud	2	M6 \times 55 \times 8 \times 14
2-30A	—	—	—	
2-31	100420	Nut	2	M6
2-31A	092017	Screw	2	M6 \times 55
2-32	117813	Air Chamber	1	
2-33	117609	Cock Assy	1	PF1/4 \times PT1/4
2-34	061794	Plug	1	PT1/4
2-34A	145964	Plug	1	PT1/4