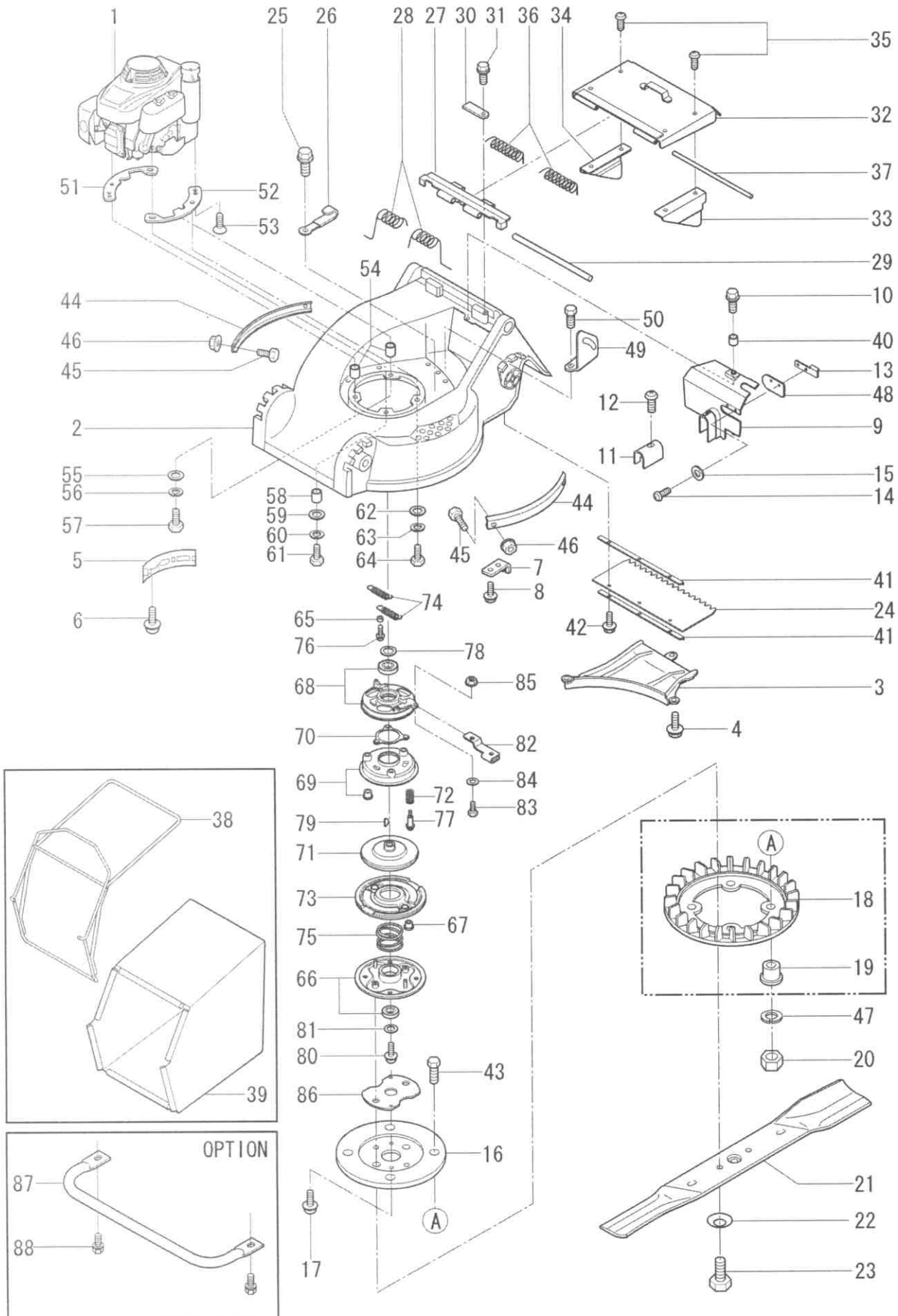


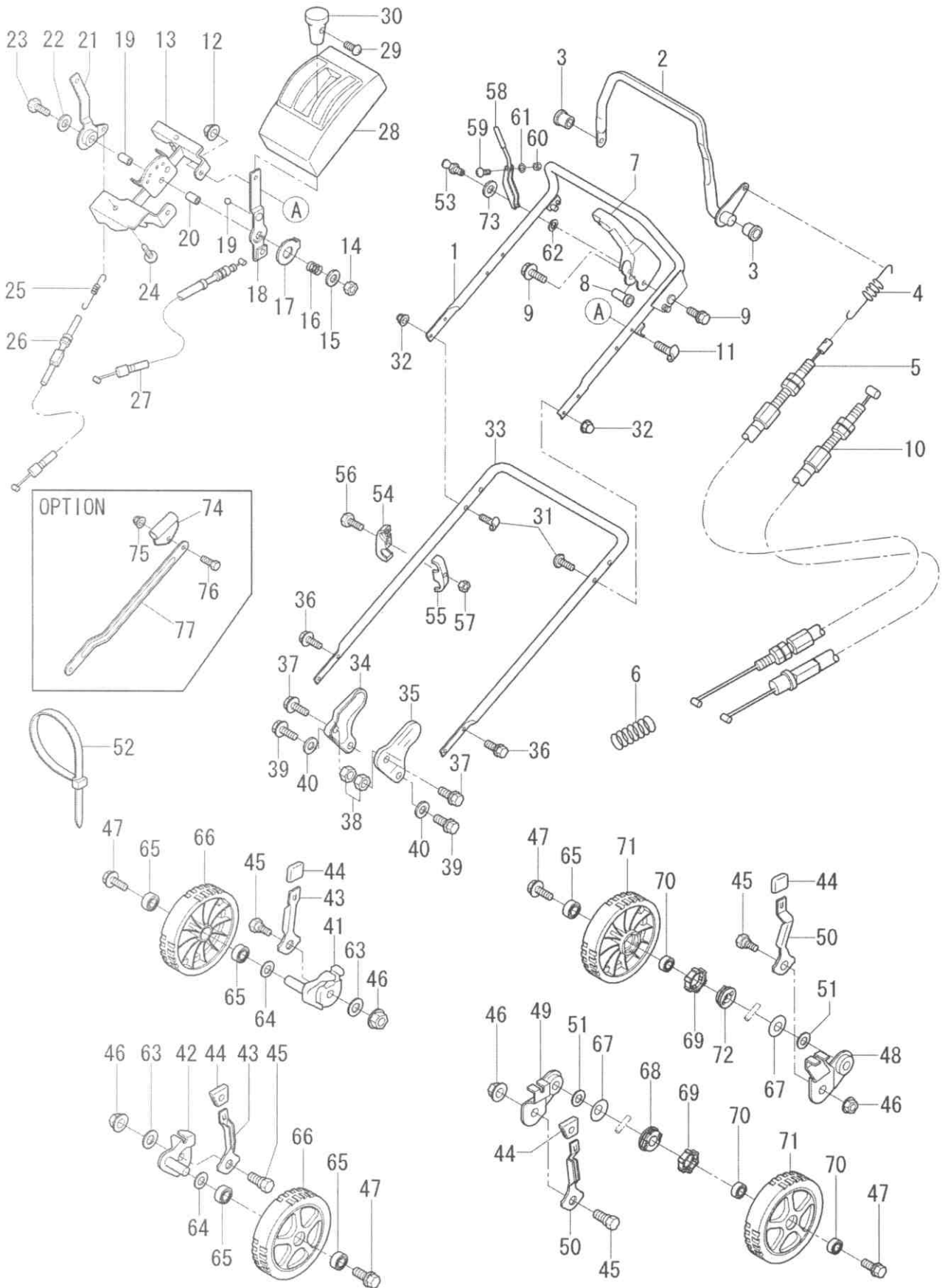
RCD-5300APL-HDH (Fig. 1)



List for DECK of RCD-5300APL-HDH (Fig. 1) (0808)

| Ref. No. | Parts No.   | Description          | Qty | Remarks | Ref. No. | Parts No.      | Description           | Qty | Remarks       |
|----------|-------------|----------------------|-----|---------|----------|----------------|-----------------------|-----|---------------|
| 1        | HGXV160     | Engine(UH2 SFY1)     | 1   |         | 54       | 1116-2024      | COLLAR (15)           | 2   |               |
| 2        | 1302-2012AP | HOUSING, CUTTER      | 1   |         | 55       | 0152-0800      | WASHER                | 1   | φ 8           |
| 3        | 1322-1002B  | GUIDE, SCROLL        | 1   |         | 56       | 0151-0800      | SPRING WASHER         | 1   | φ 8           |
| 4        | 0048-0610   | BOLT, FLANGE         | 3   |         | 57       | 1101-2008      | BOLT (5/16-24UNF)     | 1   | 38mm          |
| 5        | 1322-1003AP | COVER, B.B.C.        | 1   |         | 58       | 1116-2025      | COLLAR (6)            | 1   |               |
| 6        | 0048-0610   | BOLT, FLANGE         | 2   |         | 59       | 0152-0800      | WASHER                | 1   | φ 8           |
| 7        | 1642-1001   | PLATE, B.B.C. CABLE  | 1   |         | 60       | 0151-0800      | SPRING WASHER         | 1   | φ 8           |
| 8        | 0048-0614   | BOLT, FLANGE         | 2   |         | 61       | 1101-2012      | BOLT (5/16-24UNF)     | 1   | 32mm          |
| 9        | 1312-1001   | COVER, TRANSMISSION  | 1   |         | 62       | 0152-1000      | WASHER                | 1   | φ 10          |
| 10       | 0048-0614   | BOLT, FLANGE         | 1   |         | 63       | 0151-1000      | SPRING WASHER         | 1   | φ 10          |
| 11       | 1323-2006   | COVER, UNIVERSAL     | 1   |         | 64       | 0011-1030      | BOLT                  | 1   | M10x30        |
| 12       | 0043-0412   | SCREW                | 1   |         | 65       | H19512-883-000 | COLLAR, FAN           | 2   |               |
| 13       | 1317-1006   | PLATE, T.R.M. COVER  | 1   |         | 66       | H72600-VA4-010 | BLADE HOLDER ASSY     | 1   |               |
| 14       | 0021-0515   | SCREW                | 2   |         | 67       | H72613-VA4-000 | BUSH, BLADE HOLDER    | 2   |               |
| 15       | 0153-0500   | WASHER               | 2   |         | 68       | H75090-VA4-030 | BALL CONTROL PLATE A  | 1   |               |
| 16       | 1366-2006   | BRACKET, FAN         | 1   |         | 69       | H75100-VA4-010 | BRAKE COMP.           | 1   |               |
| 17       | 0021-0508   | SCREW                | 2   |         | 70       | H75110-VA4-000 | BALL RETAINER COMP    | 1   |               |
| 18,19    | 1171-1001   | FAN ASS'Y            | 1   |         | 71       | H75130-VA4-000 | DISK, DRIVE           | 1   |               |
| 18       | 1172-1001   | FAN                  | 1   |         | 72       | H75132-VA4-000 | SPRING, BRAKE HOLDER  | 3   |               |
| 19       | 1116-1001   | COLLAR, FAN          | 4   |         | 73       | H75150-VA3-J01 | DRIVEN DISK COMP.     | 1   |               |
| 20       | 0101-0600   | NUT                  | 4   |         | 74       | H75182-VA3-J00 | SPRING, CLUTCH RETURN | 2   | 53.0mm        |
| 21       | 1422-2002   | BLADE                | 1   |         | 75       | H75183-VA3-J00 | SPRING, CLUTCH        | 1   | 36.6mm        |
| 22       | 0155-1000   | CONICAL (S) WASHER   | 2   |         | 76       | H90014-952-000 | BOLT, FLANGE          | 4   | M6x14(CT200)  |
| 23       | 1101-2011   | BOLT                 | 2   | (10.9)  | 77       | H90021-VA4-000 | BOLT, SPECIAL         | 3   | 6mm           |
| 24       | 1317-1031   | RUBBER, SAFETY       | 1   |         | 78       | H90501-952-010 | WASHER, THRUST        | 1   |               |
| 25       | 0048-0610   | BOLT, FLANGE         | 1   |         | 79       | H94401-16150   | KEY, WOODRUFF         | 1   | 16x15         |
| 26       | 1644-1014   | CLAMP, CABLE         | 1   |         | 80       | H90105-960-003 | BOLT                  | 1   | M10x25(P1.25) |
| 27       | 1321-1003   | GUARD(B), DISCHARGE  | 1   |         | 81       | H90409-952-000 | WASHER                | 1   | 10mm          |
| 28       | 1503-1012   | SPRING(B), DISCHARGE | 2   |         | 82       | 1612-2010      | LEVER (B.B.C. LONG)   | 1   |               |
| 29       | 1376-1004   | SHAFT(B), DISCHARGE  | 1   |         | 83       | 1101-2010      | BOLT                  | 1   | M6x20         |
| 30       | 1337-1005   | PLATE, SHAFT(B)      | 2   |         | 84       | 0152-0600      | WASHER                | 1   | φ 6           |
| 31       | 0048-0610   | BOLT, FLANGE         | 2   |         | 85       | 1106-2006      | NUT, FLANGE           | 1   | M6            |
| 32       | 1321-1002   | GUARD(A), DISCHARGE  | 1   |         | 86       | 1366-2007      | BRACKET               | 1   |               |
| 33       | 1321-1020   | COVER(L), SIDE       | 1   |         |          | H99004-21002   | PLUG WRENCH           | 1   | 21            |
| 34       | 1321-1021   | COVER(R), SIDE       | 1   |         |          |                |                       |     |               |
| 35       | 1102-1040   | SCREW                | 4   |         |          |                |                       |     |               |
| 36       | 1503-1010   | SPRING(A), DISCHARGE | 2   |         | 87       | 1316-1067      | Front Guard Comp.     | 1   |               |
| 37       | 1376-1003   | SHAFT(A), DISCHARGE  | 1   |         | 88       | 0048-0820      | CT Bolt               | 2   |               |
| 38,39    | 1800-2001   | CATCHER ASS'Y        | 1   |         |          |                |                       |     |               |
| 38       | 1811-1018   | FRAME, CATCHER       | 1   |         |          |                |                       |     |               |
| 39       | 1801-2003   | FABRIC, CATCHER      | 1   |         |          |                |                       |     |               |
| 40       | 1117-1008   | COLLAR, T.R.M. COVER | 1   |         |          |                |                       |     |               |
| 41       | 1318-1010   | BRACKET, SAFETY RUB  | 2   |         |          |                |                       |     |               |
| 42       | 0048-0614   | BOLT, FLANGE         | 3   |         |          |                |                       |     |               |
| 43       | 0013-0616   | BOLT                 | 4   |         |          |                |                       |     |               |
| 44       | 1317-1007   | GUARD, SIDE          | 2   |         |          |                |                       |     |               |
| 45       | 0011-0616   | BOLT                 | 4   |         |          |                |                       |     |               |
| 46       | 0103-0600   | NUT                  | 4   |         |          |                |                       |     |               |
| 47       | 0151-0600   | SPRING WASHER        | 4   |         |          |                |                       |     |               |
| 48       | 1317-1077   | COVER                | 1   |         |          |                |                       |     |               |
| 49       | 1307-1072   | STAY                 | 1   |         |          |                |                       |     |               |
| 50       | 0048-0610   | BOLT, FLANGE         | 2   |         |          |                |                       |     |               |
| 51       | 1336-1019   | SPACER, ENGINE (B)   | 1   |         |          |                |                       |     |               |
| 52       | 1336-1018   | SPACER, ENGINE (A)   | 1   |         |          |                |                       |     |               |
| 53       | 1101-2007   | BOLT (5/16-24UNF)    | 1   | 25mm    |          |                |                       |     |               |

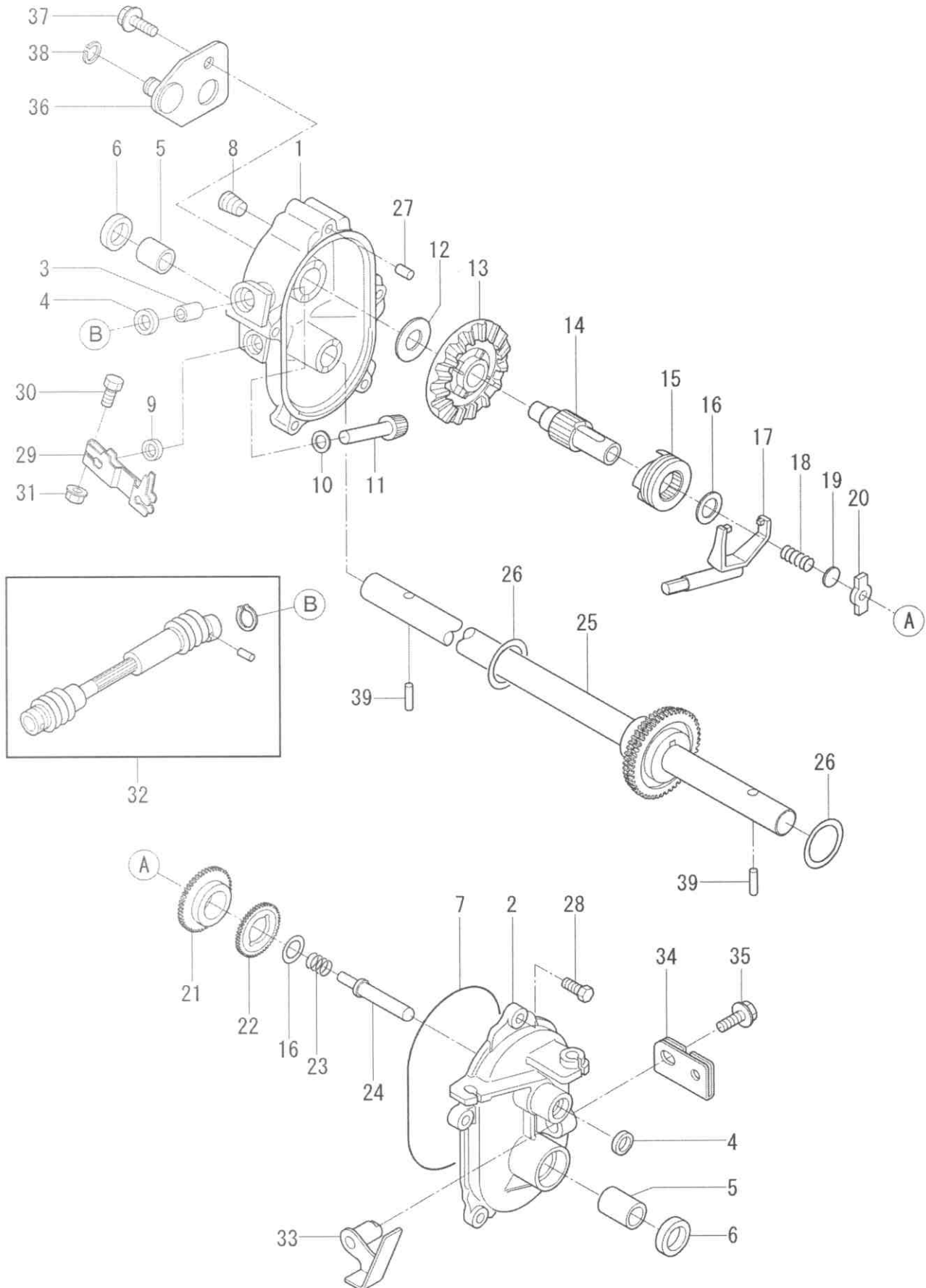
RCD-5300APL-HDH (Fig. 2)



List for Handle, Wheel of RCD5300APL-HDH (Fig. 2) (0808)

| Ref. No. | Parts No.  | Description             | Q'ty | Remarks | Ref. No. | Parts No. | Description        | Q'ty | Remarks        |
|----------|------------|-------------------------|------|---------|----------|-----------|--------------------|------|----------------|
| 1        | 1601-2011  | UPPER HANDLE            | 1    |         | 56       | 0035-0635 | BOLT               | 1    |                |
| 2        | 1611-1138  | LEVER, DRIVE            | 1    |         | 57       | 0101-0600 | NUT                | 1    |                |
| 3        | 1264-1001  | COLLAR, LEVER           | 2    |         | 58       | 1611-1136 | LOCK,RELEASE LEVER | 1    |                |
| 4        | 1502-1016  | SPRING, DRIVE           | 1    |         | 59       | 0004-0520 | SCREW              | 1    |                |
| 5        | 1650-1031  | CABLE, DRIVE            | 1    |         | 60       | 0107-0500 | U-NUT              | 1    |                |
| 6        | 1501-1035  | SPRING, CLUTCH          | 1    |         | 61       | 0152-0500 | WASHER             | 1    |                |
| 7        | 1611-1137B | LEVER, B.B.C.           | 1    |         | 62       | 0151-1000 | WASHER, SPRING     | 1    |                |
| 8        | 1101-1020  | BOLT                    | 1    |         | 63       | 1262-2001 | WASHER, THRUST     | 2    |                |
| 9        | 1105-1001  | BOLT, FLANGE            | 2    |         | 64       | 1111-2003 | WASHER             | 2    | φ 15x φ 24x2.0 |
| 10       | 1650-2005  | CABLE, B.B.C.           | 1    |         | 65       | 0305-6002 | BEARING            | 4    | 6002DD         |
| 11       | 1102-1005  | BOLT, HANDLE            | 2    |         | 66       | 1241-2003 | WHEEL, FRONT       | 2    |                |
| 12       | 0103-0600  | NUT                     | 2    |         | 67       | 1352-2003 | COVER, DUST        | 2    |                |
| 13       | 1621-2001  | PLATE                   | 1    |         | 68       | 1225-2002 | CLUTCH ASSY        | 1    | LEFT           |
| 14       | 0101-0600  | NUT                     | 1    |         | 69       | 1222-2001 | DRAM. CLUTCH       | 2    |                |
| 15       | 1111-1027  | WASHER                  | 1    |         | 70       | 0305-6002 | BEARING            | 4    | 6002DD         |
| 16       | 1501-1022  | SPRING, THROTTLE LEVER  | 1    |         | 71       | 1241-2004 | WHEEL, REAR        | 2    |                |
| 17       | 1111-1028  | PLATE, SPRING           | 1    |         | 72       | 1225-2003 | CLUTCH ASSY        | 1    | RIGHT          |
| 18       | 1612-1017  | THROTTLE LEVER          | 1    |         | 73       | 1552-1037 | WASHER             | 1    |                |
| 19       | 1132-1001  | STEEL BALL              | 1    |         |          |           |                    |      |                |
| 20       | 1117-1038  | COLLAR, LEVER           | 2    |         |          |           |                    |      |                |
| 21       | 1611-2013  | LEVER, T.R.M.           | 1    |         |          |           |                    |      |                |
| 22       | 1111-1027  | WASHER                  | 1    |         |          |           |                    |      |                |
| 23       | 0013-0650  | BOLT                    | 1    |         |          |           |                    |      |                |
| 24       | 0043-0412  | SCREW                   | 2    |         |          |           |                    |      |                |
| 25       | 1502-1018  | SPRING, T.R.M. LEVER    | 1    |         |          |           |                    |      |                |
| 26       | 1650-1028  | CABLE, T.R.M. LEVER     | 1    |         | OPTION   |           |                    |      |                |
| 27       | 1650-2004  | CABLE, THROTTLE         | 1    |         | 74       | 1343-1003 | HANDLE CLAMP       | 2    |                |
| 28       | 1632-1006  | COVER                   | 1    |         | 75       | 1106-1014 | CAP NUT, FLANGE    | 2    |                |
| 29       | 0021-0506  | SCREW                   | 2    |         | 76       | 0014-0816 | BOLT               | 2    |                |
| 30       | 1604-1005  | GRIP, LEVER             | 2    |         | 77       | 1307-1024 | HANDLE STAY        | 2    |                |
| 31       | 1102-1003  | BOLT, HANDLE            | 4    |         |          |           |                    |      |                |
| 32       | 1106-1014  | CAP NUT                 | 4    |         |          |           |                    |      |                |
| 33       | 1602-1061  | LOWER HANDLE            | 1    |         |          |           |                    |      |                |
| 34       | 1371-1054  | BRACKET(R), HANDLE      | 1    |         |          |           |                    |      |                |
| 35       | 1371-1055  | BRACKET(L), HANDLE      | 1    |         |          |           |                    |      |                |
| 36       | 0016-0816  | BOLT, FLANGE            | 4    |         |          |           |                    |      |                |
| 37       | 0016-0820  | BOLT, FLANGE            | 2    |         |          |           |                    |      |                |
| 38       | 0101-0800  | NUT                     | 2    |         |          |           |                    |      |                |
| 39       | 0048-0820  | BOLT                    | 2    |         |          |           |                    |      |                |
| 40       | 0153-0800  | WASHER                  | 2    |         |          |           |                    |      |                |
| 41       | 1360-2001  | BRACKET, FR(R) WHEEL    | 1    |         |          |           |                    |      |                |
| 42       | 1360-2002  | BRACKET, FR(L) WHEEL    | 1    |         |          |           |                    |      |                |
| 43       | 1612-1003  | LEVER, FR ADJUSTER      | 2    |         |          |           |                    |      |                |
| 44       | 1604-1003  | GRIP, ADJUSTER          | 4    |         |          |           |                    |      |                |
| 45       | 1101-1007  | BOLT, BRACKET           | 4    |         |          |           |                    |      |                |
| 46       | 1106-1019  | NUT, FLANGE             | 4    |         |          |           |                    |      |                |
| 47       | 1105-1001  | BOLT, FLANGE            | 4    |         |          |           |                    |      |                |
| 48       | 1361-1008  | BRACKET, RR(R) WHEEL    | 1    |         |          |           |                    |      |                |
| 49       | 1361-1007  | BRACKET, RR(L) WHEEL    | 1    |         |          |           |                    |      |                |
| 50       | 1612-1004  | LEVER, RR ADJUSTER      | 2    |         |          |           |                    |      |                |
| 51       | 0158-1600  | (S) WASHER, CONICAL     | 2    |         |          |           |                    |      |                |
| 52       | 1644-1001  | CABLE BAND              | 1    |         |          |           |                    |      |                |
| 53       | 1681-1001  | LOCK PIN                | 1    |         |          |           |                    |      |                |
| 54       | 1337-1023  | GUIDE (B), STARTER ROPE | 1    |         |          |           |                    |      |                |
| 55       | 1337-1022  | GUIDE (A), STARTER ROPE | 1    |         |          |           |                    |      |                |

RCD-5300APL-HDH (Fig. 3)



List for Transmission of RCD5300APL-HDH (Fig. 3) (0808)

| Ref. No. | Parts No.  | Description          | Q'ty | Remarks | Ref. No. | Parts No. | Description | Q'ty | Remarks |
|----------|------------|----------------------|------|---------|----------|-----------|-------------|------|---------|
| 1~24     | 1206-1071  | TRANSMISSION ASS'Y   | 1    |         |          |           |             |      |         |
| 1        | 1382-1028  | CASE(R), GEAR        | 1    |         |          |           |             |      |         |
| 2        | 1382-1022  | CASE(L), GEAR        | 1    |         |          |           |             |      |         |
| 3        | 1264-1009  | BUSH                 | 1    |         |          |           |             |      |         |
| 4        | 0312-10205 | OIL SEAL             | 1    |         |          |           |             |      |         |
| 5        | 1264-1003  | BUSH                 | 2    |         |          |           |             |      |         |
| 6        | 0312-15245 | OIL SEAL             | 2    |         |          |           |             |      |         |
| 7        | 1152-1001  | O-RING               | 1    |         |          |           |             |      |         |
| 8        | 1103-1002  | BOLT, OIL DRAIN      | 1    |         |          |           |             |      |         |
| 9        | 0312-08144 | OIL SEAL             | 1    |         |          |           |             |      |         |
| 10       | 1262-1001  | WASHER, PINION       | 1    |         |          |           |             |      |         |
| 11       | 1207-1005  | BEVEL PINION         | 1    |         |          |           |             |      |         |
| 12       | 1262-1002  | WASHER, BEVEL        | 1    |         |          |           |             |      |         |
| 13       | 1207-1006  | BEVEL GEAR           | 1    |         |          |           |             |      |         |
| 14       | 1252-1048  | COUNTER SHAFT        | 1    |         |          |           |             |      |         |
| 15       | 1227-1002  | CLUTCH               | 1    |         |          |           |             |      |         |
| 16       | 1262-1014  | WASHER, GEAR         | 2    |         |          |           |             |      |         |
| 17       | 1656-1021  | ARM(B), CLUTCH       | 1    |         |          |           |             |      |         |
| 18       | 1501-1032  | SPRING, LOW GEAR     | 1    |         |          |           |             |      |         |
| 19       | 1262-1005  | WASHER, ASSIST       | 1    |         |          |           |             |      |         |
| 20       | 1131-1001  | KEY                  | 1    |         |          |           |             |      |         |
| 21       | 1207-1041  | GEAR, HIGH           | 1    |         |          |           |             |      |         |
| 22       | 1207-1040  | GEAR, LOW            | 1    |         |          |           |             |      |         |
| 23       | 1501-1033  | SPRING, HIGH GEAR    | 1    |         |          |           |             |      |         |
| 24       | 1653-1014  | SHIFT SLIDER         | 1    |         |          |           |             |      |         |
| 25       | 1251-1001  | FINAL SHAFT COMP.    | 1    |         |          |           |             |      |         |
| 26       | 1262-1004  | WASHER, FINAL SHAFT  | 2    |         |          |           |             |      |         |
| 27       | 1117-1007  | PIN                  | 2    |         |          |           |             |      |         |
| 28       | 0035-0625  | BOLT                 | 5    |         |          |           |             |      |         |
| 29       | 1657-1015  | ARM(A), CLUTCH       | 1    |         |          |           |             |      |         |
| 30       | 1102-1037  | BOLT                 | 1    |         |          |           |             |      |         |
| 31       | 0103-0600  | NUT, FLANGE          | 1    |         |          |           |             |      |         |
| 32       | 1233-2001  | UNIVERSAL ASS'Y      | 1    |         |          |           |             |      |         |
| 33       | 1656-1018  | ARM(A), CHANGE LEVER | 1    |         |          |           |             |      |         |
| 34       | 1657-1013  | ARM(B), CHANGE LEVER | 1    |         |          |           |             |      |         |
| 35       | 0016-0610  | BOLT, FLANGE         | 1    |         |          |           |             |      |         |
| 36       | 1306-1019  | STAY, TRANSMISSION   | 1    |         |          |           |             |      |         |
| 37       | 0016-0812  | BOLT, FLANGE         | 1    |         |          |           |             |      |         |
| 38       | 0202-1000  | RETAINER             | 1    |         |          |           |             |      |         |
| 39       | 0229-0522  | PIN                  | 2    |         |          |           |             |      |         |
|          |            |                      |      |         |          |           |             |      |         |
|          |            |                      |      |         |          |           |             |      |         |
|          |            |                      |      |         |          |           |             |      |         |