

# Masport®

## EUROPEAN REEL LAWN MOWERS

### Olympic 400-500-660

400 -Part Number	019026	B&S 3.5
500 -Part Number	019027	Honda GX160
660 -Part Number	019028	Honda GX160

Market Introduction: February 2008

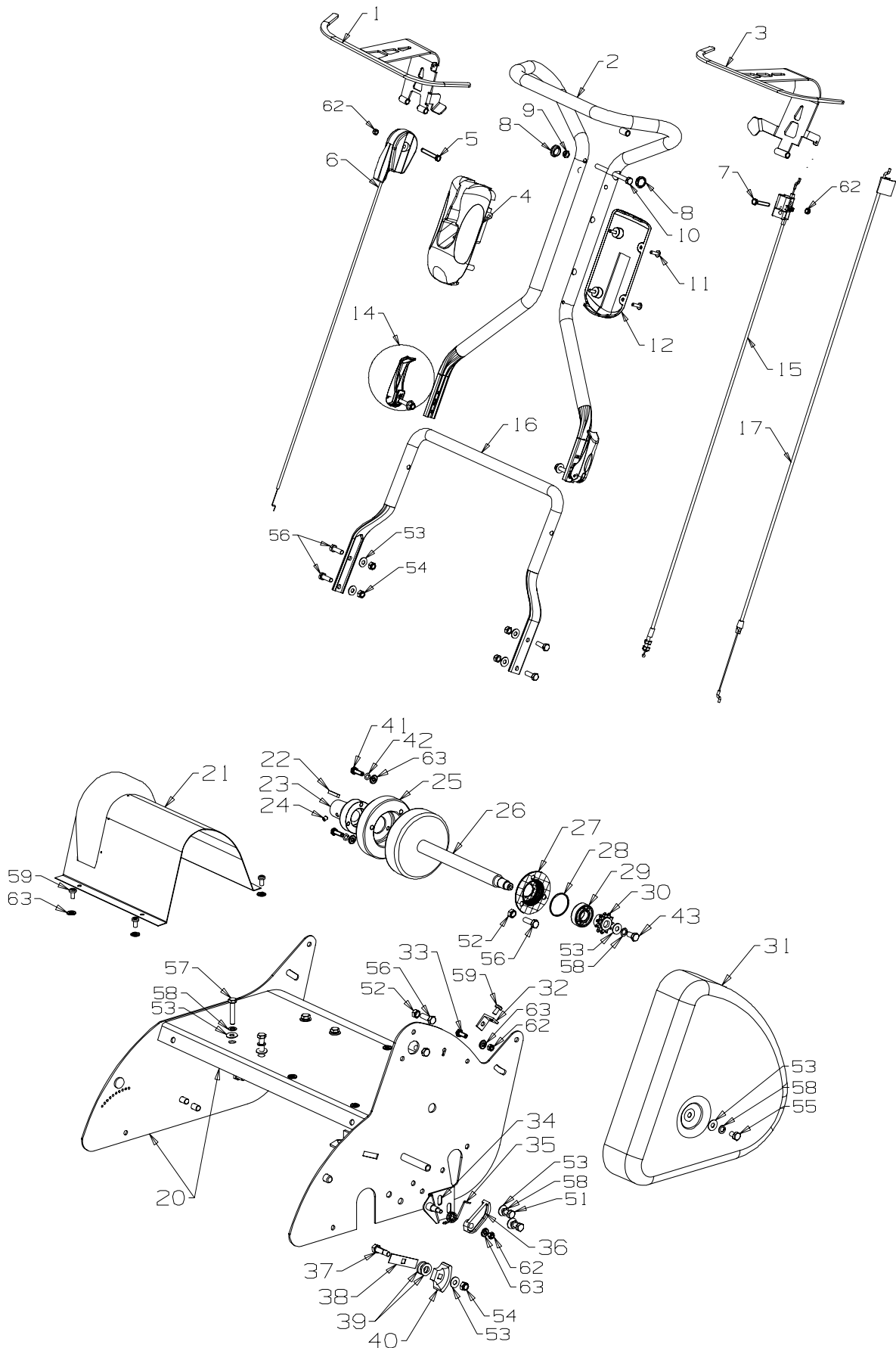




OLYMPIC Reel Mowers  
Powered By:  
400 - Briggs & Stratton 3.5  
500/660 - Honda GX 160

# Masport

## OLYMPIC REEL MOWERS



When ordering PLEASE QUOTE PART NUMBER & Description, NOT Illustration No.  
Determine right or left hand side from standing in operating position (standing at handle)



OLYMPIC Reel Mowers  
 Powered By:  
 400 - Briggs & Stratton 3.5  
 500/660 - Honda GX 160



OLYMPIC REEL MOWERS

1	979278	Bail Arm Assy, OPC MSV- Black	1	27	002834	Housing, Bearing	1
2	731847	Handle-Upper, Olympic Reel -Black	1	28	004292	Ring, Bearing	1
3	979279	Bail Arm Assy, SP MSV Black	1	29	501213	Bearing	1
4	583442	Mount-Throttle,Top "Plain" Black	1	30	002818	Sprocket - 11t, Drive	1
6	583458	Control-Throttle,H' Sing Wescon	1	31	031585	Chaincase Green	1
7	503604	Screw, Pan M6X 45 ZP	1	32	031915	Bracket-Chain Cover R/MWR	1
8	503882	Grommet-Blanking 3/4" (19MM)	2	33	501702	Screw, Set M6 x 16	1
9	503831	Nut, M8 Hex Nyloc 6 Thick ZP	1	34	004942	Plate Assy-Mounting Black	1
10	503883	Bolt, Hex M8 x 100 ZP	1	35	004945	Spring R/MWR	1
11	503650	Screw, S/T M5 x 18 Wasr Plast	4	36	004963	Adjuster-Chain Tension, Nylon	1
12	583340	Cover-Throttle, Bottom Black	1	37	002848	Bolt-Adjuster, Chain	1
14	779755	Cam lock, Assm - MSV, Black	2	38	002845	Sealplate-Chain Adjuster ZP	1
15	031846	Cable-Clutch,	1	39	006028	Washer, Flat 12 x 22 x 3.0	2
16(400)	031848	Handle-Lower, R/Mower 400- Bilk	1	40	002844	Adjuster-Chain, Fixed Nylon	1
(500)	031849	" " " " " " 500- Bilk	1	41	501600	Screw, Set M6 x 20 Hex ZP	3
(660)	031850	" " " " " " 660- Bilk	1	42	500201	Washer, Spring M6	3
17	031878	Cable-Eng OPC, Reel Mower	1	43	501715	Screw, Set M8 x 15 x 1mm Pitch	1
20(400)	031580	Chassis Assy- 400 Olympic-Green	1	51	501597	Screw, Set M8 x 20 Hex ZP	2
(500)	031590	Chassis Assy- 500 Olympic-Green	1	52	501602	Nut, M8 Hex	3
(660)	031592	Chassis Assy- 660 Olympic-Green	1	53	501606	Washer, Flat 8 x 19 x 1.6	8
21(400)	731583	Cover-Clutch Transmission 400	1	54	501793	Nut, M8 Hex Nyloc 8thCKZP	1
(500)	731909	Cover-Clutch Transmission 500/660	1	55	501863	Screw, Set M8 x 12	1
(660)	731909	Cover-Clutch Transmission 500/660	1	56	501598	Screw, Set M8 x 25	3
22	536178	Woodruff Key, 3/16sq x 24	1	57	501843	Engine Bolts, M8 x 40 Hex	4
23(400)	031913	Boss - Clutch, 400	1	58	503747	Washer, Spring M8	3
(500)	031914	Boss - Clutch, 500	1	59	503591	Screws, Pan M6 x 12	5
(660)	031914	Boss - Clutch, 660	1	62	501764	Nut, M6 Nyloc 6thCKZP	2
24	501713	Grub Screw, M6 x 8	1	63	501703	Washer, Flat 6 x 14 x 1.2 ZP	9
25	031912	Clutch-Centrifugal Drive Assy	1				
26(400)	031579	Drum Assy-Clutch, 400 ZP	1				
(500)	031587	Drum Assy-Clutch, 500 ZP	1				
(660)	031587	Drum Assy-Clutch, 660 ZP	1				

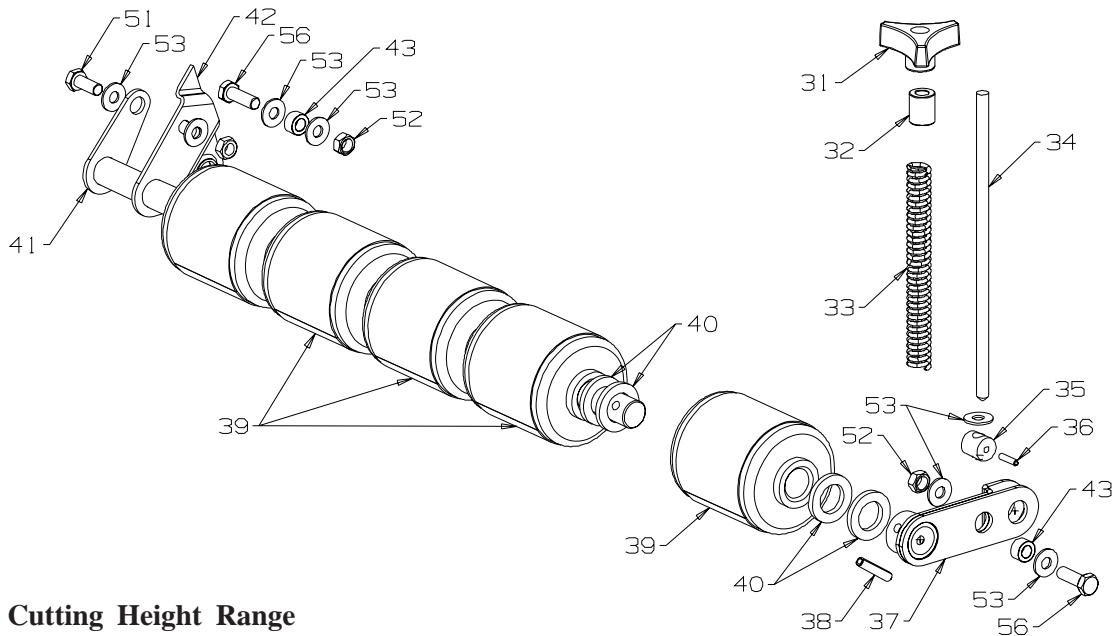
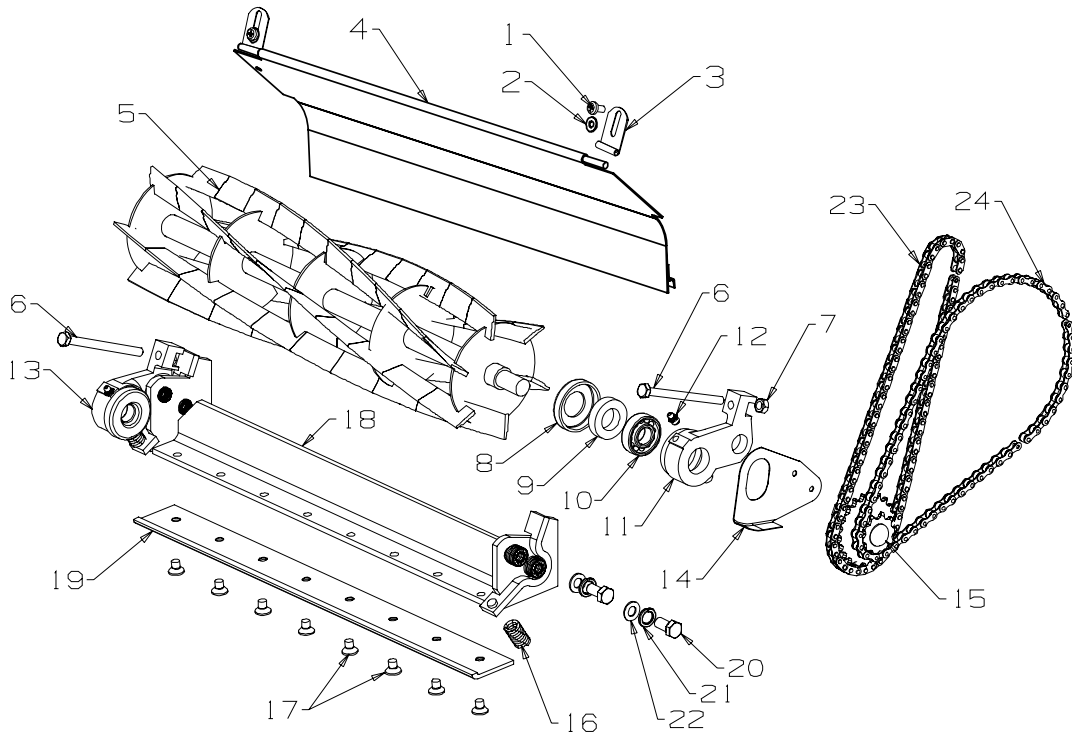
When ordering PLEASE QUOTE PART NUMBER & Description, NOT Illustration No.  
 Determine right or left hand side from standing in operating position (standing at handle)



**OLYMPIC Reel Mowers**  
 Powered By:  
 400 - Briggs & Stratton 3.5  
 500/660 - Honda GX 160

# Masport

**OLYMPIC REEL MOWERS**



**Cutting Height Range**  
**7mm to 30mm**

- 400** - Front Spindle & Roller Set Assembly \* 4 Rollers (Complete) **Part: 005013**
- 500** - Front Spindle & Roller Set Assembly \* 5 Rollers (Complete) **Part: 005014**
- 660** - Front Spindle & Roller Set Assembly \* 7 Rollers (Complete) **Part: 005015**

When ordering PLEASE QUOTE PART NUMBER & Description, NOT Illustration No.  
 Determine right or left hand side from standing in operating position (standing at handle)



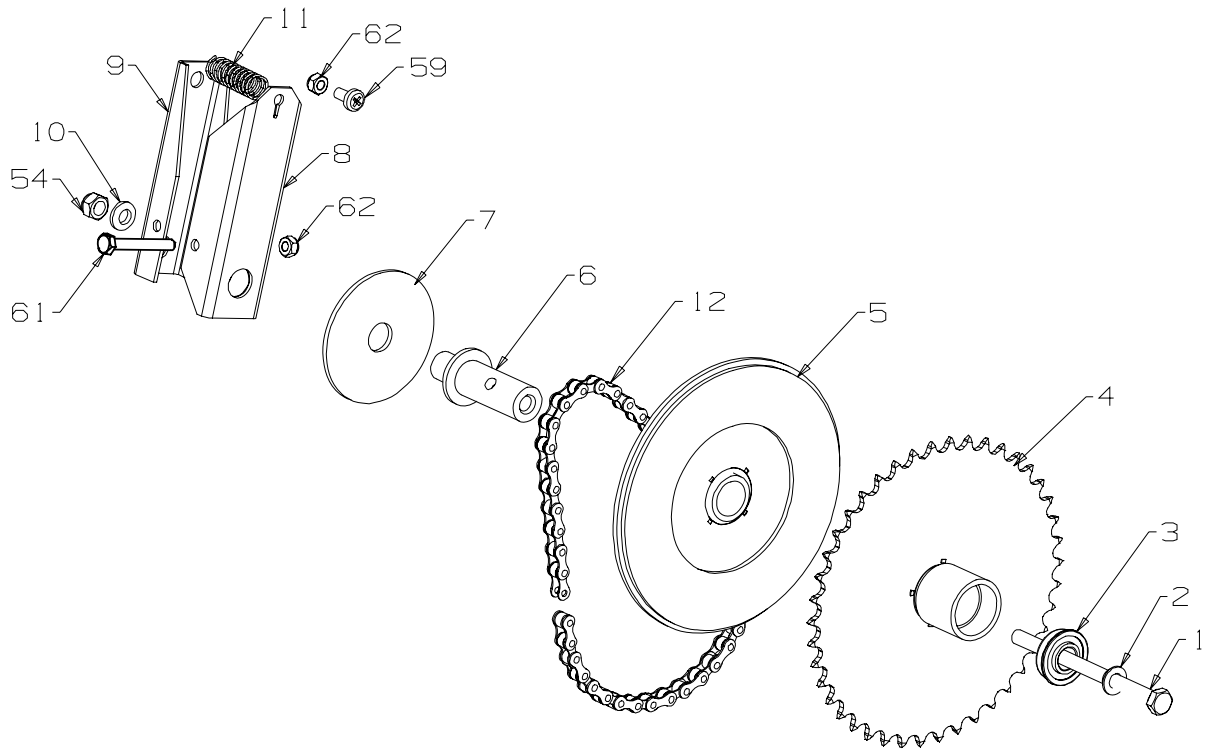
OLYMPIC Reel Mowers  
 Powered By:  
 400 - Briggs & Stratton 3.5  
 500/660 - Honda GX 160



OLYMPIC REEL MOWERS

<b>REEL &amp; BLADES</b>			
<b>1</b>	503591	Screw - Pan M6 x 12 Poz Blk	6
<b>2</b>	501703	Washer, Flat 6 x 14 x 1.2 ZP	2
<b>3</b>	002589	Bracket -Grass Chute ZP	2
<b>4(400)</b>	008900	Grass Chute - 400	1
	(500)	008901 Grass Chute - 500	1
	(660)	004916 Grass Chute - 660	1
<b>5(400)</b>	008924	Reel-Blade Assembly - 400	1
	(500)	008970 Reel-Blade Assembly - 500	1
	(660)	008980 Reel-Blade Assembly - 660	1
<b>6</b>	006282	Screw, Blade Adjust - 5/16" UNF x 4"	2
<b>7</b>	007240	Nut, Blade Adjust - 5/16" UNF	2
<b>8</b>	005211	Bearing Dust Cover	2
<b>9</b>	002583	Seal, Felt	2
<b>10</b>	503273	Bearing	2
<b>11</b>	002573	Bearing Housing, - LH	1
<b>12</b>	503337	Grease Nipple, 6MM Straight	2
<b>13</b>	002576	Bearing Housing, - RH	1
<b>14</b>	002561	Plate-Seal, Chaincase	1
<b>15</b>	004298	Sprocket 10/23 T, Threaded LH	1
<b>16</b>	002581	Spring - Baseplate	2
<b>17</b>	008611	Screw, M 8X 7 C/Snk	8
<b>18(400)</b>	009861	Bracket-400, Baseplate holder	1
	(500)	009862 Bracket-500, Baseplate holder	1
	(660)	009863 Bracket-660, Baseplate holder	1
<b>19(400)</b>	009872	Blade - Baseplate 400 R/Mwr	1
	(500)	009873 Blade - Baseplate 500 R/Mwr	1
	(660)	009874 Blade - Baseplate 660 R/Mwr	1
<b>20</b>	501760	Screw, Set M10 x 20 Hex	4
<b>21</b>	503897	Washer, Spring M10	4
<b>22</b>	501704	Washer, Flat 10 x 19 x 1.6	4
<b>23</b>	002835	Chain - 75P (Drive to Reel)	1
<b>24</b>	004299	Chain - 59P (Reel to Clutch)	1
<b>FRONT ROLLERS</b>			
<b>31</b>	574230	Knob-Plastic, M8 Insert	1
<b>32</b>	031910	Spacer, Knob ZP	1
<b>33</b>	004691	Spring R/Mwr	1
<b>34</b>	004988	Spindle-Adjuster, Front Rollers	1
<b>35</b>	004990	Spindle-Trunnion	1
<b>36</b>	503006	Pin, Tension 4.0 x 16	1
<b>37</b>	004984	Bracket Assy-Adj, Front Roller	1
<b>38</b>	007496	Pin, Tension 6.0 x 30 ZP	1
<b>39</b>	031911	Roller, Front Assm (Single) 4, 5, or 7 Model dep.	
<b>40</b>	501432	Washer, Flat 20 x 33 x 4.0 Model dep.	
<b>41(400)</b>	004976	Spindle Assy- Front Roller 400	1
	(500)	004977 Spindle Assy- Front Roller 500	1
	(660)	004978 Spindle Assy- Front Roller 660	1
<b>42</b>	004983	Bracket-Front Roller, RH Height Indicator	1
<b>43</b>	004991	Bush, Pivot	2
<b>51</b>	501597	Screw, M8 x 20 Hex	
<b>52</b>	501602	Nut M8, Hex	3
<b>53</b>	501606	Washer, Flat 8 x 19 x 1.6	6
<b>56</b>	501598	Screw, M8 x 25 Hex	3

When ordering PLEASE QUOTE PART NUMBER & Description, NOT Illustration No.  
 Determine right or left hand side from standing in operating position (standing at handle)



## CLUTCH ASSEMBLY

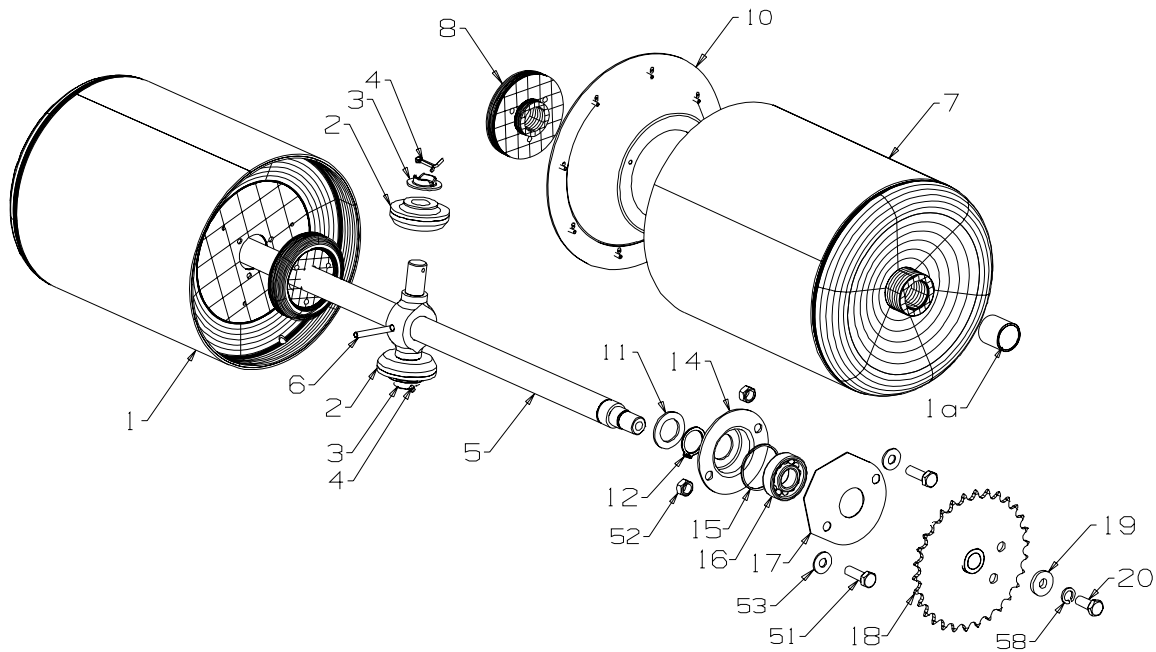
<b>1</b>	503938	Screw, Set M8 x 120 Hex ZP	1
<b>2</b>	031841	Washer-Centralising	1
<b>3</b>	551212	Bearing-Wheel	1
<b>4</b>	031836	Sprocket, 42T Plate & Boss Assm	1
<b>5</b>	031839	Sprocket - Clutch Plate Assm	1
<b>6</b>	031840	Post-Clutch	1
<b>7</b>	031843	Washer, Flat 16.5 x 75 x 3.0 ZP	1
<b>8</b>	031830	Lever Carrier-Clutch	1
<b>9</b>	031831	Lever-Clutch	1
<b>10</b>	031842	Thrust Washer	1
<b>11</b>	031845	Spring-Clutch	1
<b>12</b>	004929	Chain 3/16XP x 1/2, 40P ISO 083	1
<b>54</b>	501793	Nut, M8 Hex Nyloc x 8 Thick ZP	2
<b>59</b>	503591	Screw, Pan M6 x 12 ZP	1
<b>61</b>	503558	Screw, Set M6 x 45 ZP	1
<b>62</b>	501764	Nut, M6 Hex Nyloc x 6 Thick ZP	6



OLYMPIC Reel Mowers  
 Powered By:  
 400 - Briggs & Stratton 3.5  
 500/660 - Honda GX 160

# Masport

OLYMPIC REEL MOWERS



## REAR ROLLER ASSEMBLY - "BLACK" ( Incl. Items 1 - 16 )

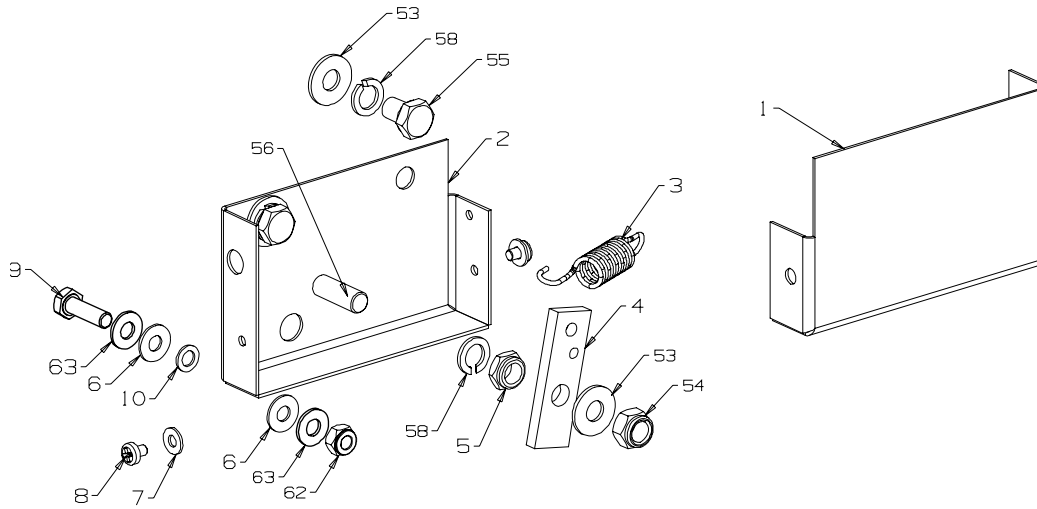
**400 - Part**

**500 - Part 031918**

**660 - Part**

<b>1(400)</b>	031954	Rear Roller, RH (400 - Half)Black (Inc 8 & 9)	1
<b>(500)</b>	031955	Rear Roller, RH (500 - Half)Black (Inc 8 & 9)	1
<b>(660)</b>	031956	Rear Roller, RH (660 - Half)Black (Inc 8 & 9)	1
<b>1a</b>	007616	Bush,	2
<b>2</b>	002708	Pinion - Bevel, 14T, Nylon	2
<b>3</b>	008944	Collar	2
<b>4</b>	007473	Split Pin	2
<b>5(400)</b>	008945	Spindle-Assm, Rear Roller 400 (Incl. Item 6)	1
<b>(500)</b>	008947	Spindle-Assm, Rear Roller 500 (Incl. Item 6)	1
<b>(660)</b>	008948	Spindle-Assm, Rear Roller 660 (Incl. Item 6)	1
<b>6</b>	007494	• Pin - Tension 6.0 x 45	1
<b>7 (400)</b>	031917	Rear Roller, LH (400 - Half)Black (Inc 8 - 10)	1
<b>(500)</b>	031919	Rear Roller, LH (500 - Half)Black (Inc 8 - 10)	1
<b>(660)</b>	031921	Rear Roller, LH (660 - Half)Black (Inc 8 - 10)	1
<b>8</b>	002707	• Bevel Gear	2
<b>9</b>	503399	• Rivets	6
<b>10</b>		• Seal Assembly	1
<b>11</b>	002732	Washer, Flat 22 x 40 x 2.0 ZP	2
<b>12</b>	007260	Circlip; 7/8" Ext Din 471	2
<b>14</b>	000409	Housing-Bearing ZP	2
<b>15</b>	004292	Ring - Bearing Housing	2
<b>16</b>	503273	Bearing	2
<b>17</b>	002618	Plate-Seal, Bearing	1
<b>18</b>	002604	Sprocket & Boss Assy-Rear Roller, Threaded	1
<b>19</b>	002757	Spacer, Stepped Washer	1
<b>20</b>	501717	Screw, Set M8 x 20, 1mm Pitch	1
<b>51</b>	501597	Screw	4
<b>52</b>	501602	Nut	4
<b>53</b>	501606	Washer	4
<b>58</b>	503747	Washer	2

When ordering PLEASE QUOTE PART NUMBER & Description, NOT Illustration No.  
 Determine right or left hand side from standing in operating position (standing at handle)

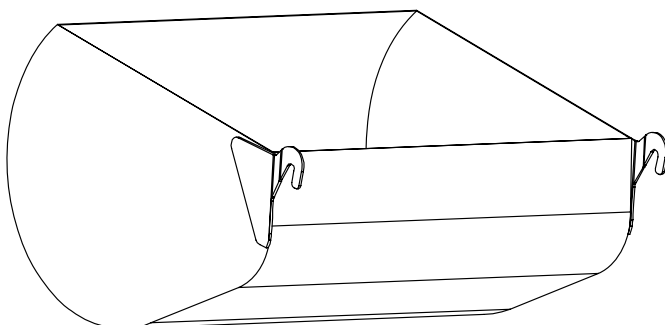


**SAFETY CUT-OFF DEVICE**

<b>1</b>	031881	Cover, Safety Switch	1
<b>2</b>	031880	Housing, Safety Switch	1
<b>3</b>	031886	Spring	1
<b>4</b>	031885	Lever-Arm, Safety Switch	1
<b>5</b>	503831	Nut M8 Hex Nyloc x 6 Thick ZP	1
<b>6</b>	031884	Washer, Flat, Insulated Fiber 6 x 14 x 1.0	2
<b>7</b>	503593	Washer, Flat, 4 x 9 x 1.0 ZP	1
<b>8</b>	503631	Screw, Pan M4 x 5 Poz ZP	1
<b>9</b>	501600	Screw, Set M6 x 20 Hex ZP	1
<b>10</b>	031883	Washer, Flat, Insulated Fiber 6 x 10 x 1.0	1

**NOT ILLUSTRATED**

	031882	Wire Loom, Safety Switch	1
<b>53</b>	501606	Washer, Flat 8 x 19 x 1.6 ZP	4
<b>54</b>	501793	Nut, M8 Hex Nyloc x 8 Thick ZP	2
<b>55</b>	501863	Screw, Set M8 x 12 Hex ZP	2
<b>56</b>	501598	Screw, Set M8 x 25 Hex ZP	1
<b>58</b>	503747	Washer, Spring 8 ZP	3
<b>59</b>	503591	Screw, Pan M6 x 12 Poz Blk	1
<b>61</b>	503558	Screw, Set M6 x 45 ZP	1
<b>62</b>	501764	Nut, M6 Hex Nyloc x 6 Thick ZP	6
<b>63</b>	501703	Washer, Flat 6 x 14 x 1.2 ZP	2



**STEEL CATCHERS**

- 031581** Catcher - 400 (51.26 Ltrs)
- 031591** Catcher - 500 (61.94 Ltrs)
- 031593** Catcher - 660 (85.44 Ltrs)