

Masport®

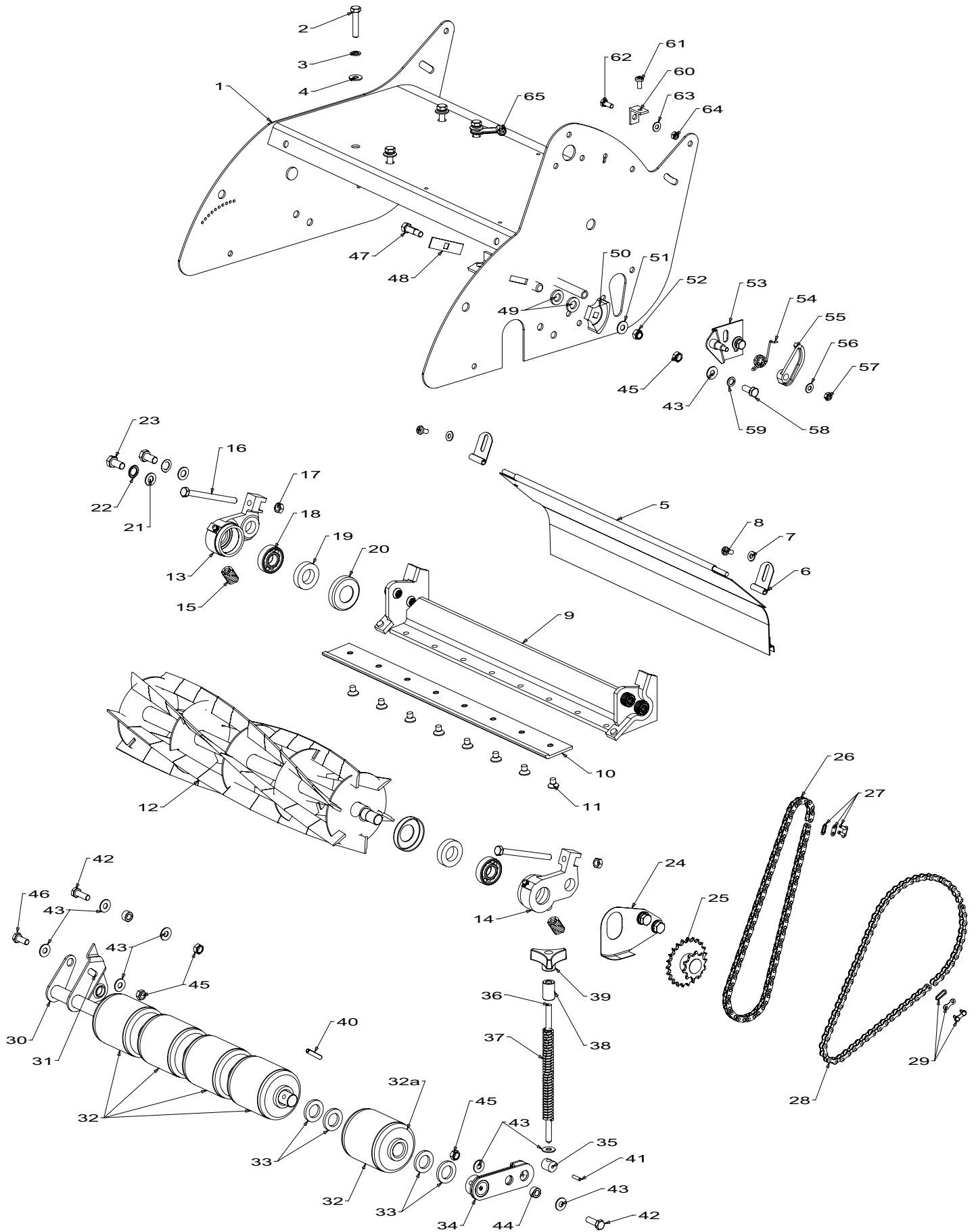
REEL LAWN MOWERS

MASPORT 400-500-660 OPC

	<u>Part number</u>	<u>Model</u>	<u>Engine</u>
MASPORT	019043	400 PRR	Honda GX160
MASPORT	019045	500 PRR	B & S Series 475
MASPORT	019027	500 PRR	Honda GX160
MASPORT	019028	660 PRR	Honda GX160

Month and Year of First Manufacture -





When ordering PLEASE QUOTE PART NUMBER & Description, NOT Illustration No.
Determine right or left hand side from standing in operating position (standing at handle)



Masport

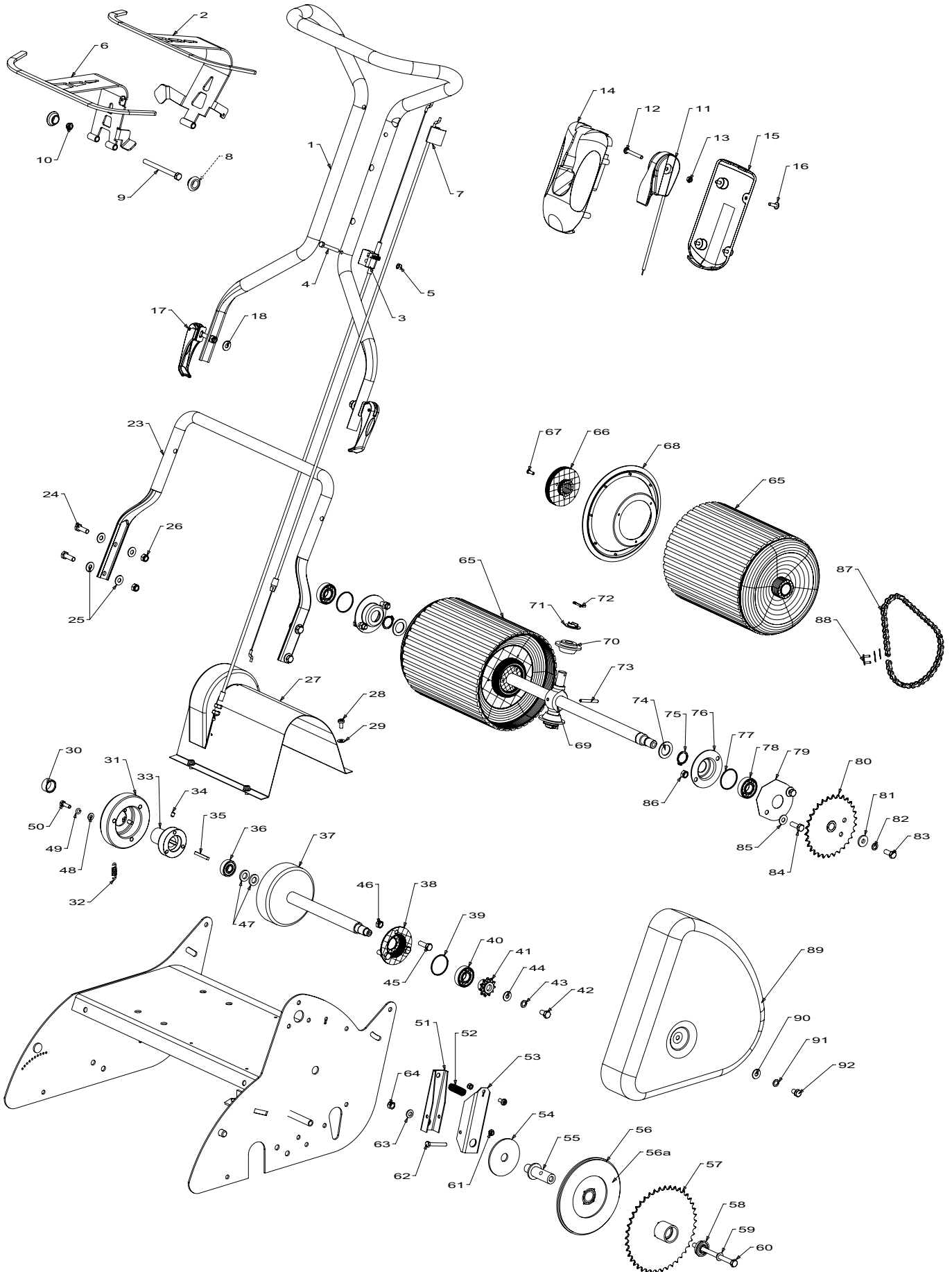
REEL LAWN MOWERS Plain Rear Roller

Item No	Part No	Description	Qty	Item No	Part No	Description	Qty
1	031580	Chassis Assy- 400	1	30	004976	Spindle Assy, Front Roller 400	1
	031590	Chassis Assy- 500	1		004977	Spindle Assy, Front Roller 500	1
	031592	Chassis Assy- 660	1		004978	Spindle Assy, Front Roller 660	1
2	501843	Screw, Set M8x40 Hex	4	31	004983	Bracket- Front Roller, RH	1
3	503747	Washer, Spg 8	4	32	031911	Front Roller Assy 400	4
4	501606	Washer, Flt 8x19x1.6	4		031911	Front Roller Assy 500	5
5	008900	Deflector, Grass- 400	1		031911	Front Roller Assy 660	6
	008901	Deflector, Grass- 500	1	32a	005478	Cap- End, 72.3	8, 10 or 12
	004916	Deflector, Grass- 660	1	33	501432	Washer, Flt 20x33x4.0	8, 10 or 7
6	002589	Bracket, Grass Chute	2	34	004984	Bracket Assy- Adj, Front Roller	1
7	501703	Washer, Flt 6x14x1.2	2	35	004990	Spindle, Trunnion	1
8	503591	Screw, Pan M6x12	2	36	004988	Spindle- Adj, Front Roller	1
9	009861	BracketAssy, Baseplate 400	1	37	004691	Spring- Height Adjust	1
	009862	BracketAssy, Baseplate 500	1	38	031910	Spacer- Knob	1
	009863	BracketAssy, Baseplate 660	1	39	574230	Knob- Plastic, M8 Insert	1
10	009872	Blade, Baseplate 400	1	40	007496	Pin, Tension 6.0x30	1
	009873	Blade, Baseplate 500	1	41	503006	Pin, Tension 4.0x16	1
	009874	Blade, Baseplate 660	1	42	501598	Screw, Set M8x25 Hex	2
11	008611	Screw, CSK M8x12 Allen 400	7	43	501606	Washer, Flt 8x19x1.6	8
	008611	Screw, CSK M8x12 Allen 500	8	44	004991	Bush- Pivot, Front Roller	2
	008611	Screw, CSK M8x12 Allen 660	12	45	501602	Nut, M8 Hex	4
12	008924	Cylinder Assy- Cutting 400	1	46	501597	Screw, Set M8x20 Hex	1
	008970	Cylinder Assy- Cutting 500	1		==		
	008980	Cylinder Assy- Cutting 660	1	47	002848	Bolt- Adjuster, Chain	1
13	002576	Housing- Bearing, RH	1	48	002845	Sealplate- Chain Adjuster	1
14	002573	Housing- Bearing, LH	1	49	006028	Washer, Flt 12x22x3.0	4
15	002581	Spring- Baseplate	2	50	002844	Adjuster- Chain, Fixed Nylon	1
16	006282	Screw, Set NF 5/16"x4" Hex	2	51	501606	Washer, Flt 8x19x1.6	1
17	007240	Nut, NF 5/16 Hex Nyloc Type "P"	2	52	501793	Nut, M8 Hex Nyloc 8 Thck	1
18	503273	Bearing, Ball 17x40x12 6203 2S	2	53	004942	Plate Assy, Mounting	1
19	002583	Seal- Felt	2	54	004945	Spring	1
20	005211	Cover- Dust, Cylinder Bearing	2	55	004963	Adjuster- Chain, Tension Nylon	1
21	501704	Washer, Flt 10x19x1.6	4	56	501703	Washer, Flt 6x14x1.2	1
22	503897	Washer, Spg 10	4	57	501764	Nut, M6 Hex Nyloc 6 Thck	1
23	501760	Screw, Set M10x20 Hex	4	58	501597	Screw, Set M8x20 Hex	1
24	002561	Plate- Seal, Chaincase	1	59	501703	Washer, Flt 6x14x1.2	1
25	004298	Sprocket- 10/23, LH Thrd	1	60	031915	Bracket- Chain Cover	1
26	002835	Chain, 0.23xP 3/8, 75P	1	61	503591	Screw, Pan M6x12	1
27	731972	Link, Chain 3/8	1	62	501702	Screw, Set M6x15 Hex	1
28	004299	Chain, 0.205xP 1/2, 59P	1	63	501703	Washer, Flt 6x14x1.2	1
29	731971	Link, Chain 1/2	1	64	501764	Nut, M6 Hex Nyloc 6 Thck	1
	==			65	581527	Retainer, Clutch Cable	1

Bold Text = Assemblies

Bulleted Text = Items included in Assemblies

When ordering PLEASE QUOTE PART NUMBER & Description, NOT Illustration No.
Determine right or left hand side from standing in operating position (standing at handle)



When ordering PLEASE QUOTE PART NUMBER & Description, NOT Illustration No.
Determine right or left hand side from standing in operating position (standing at handle)



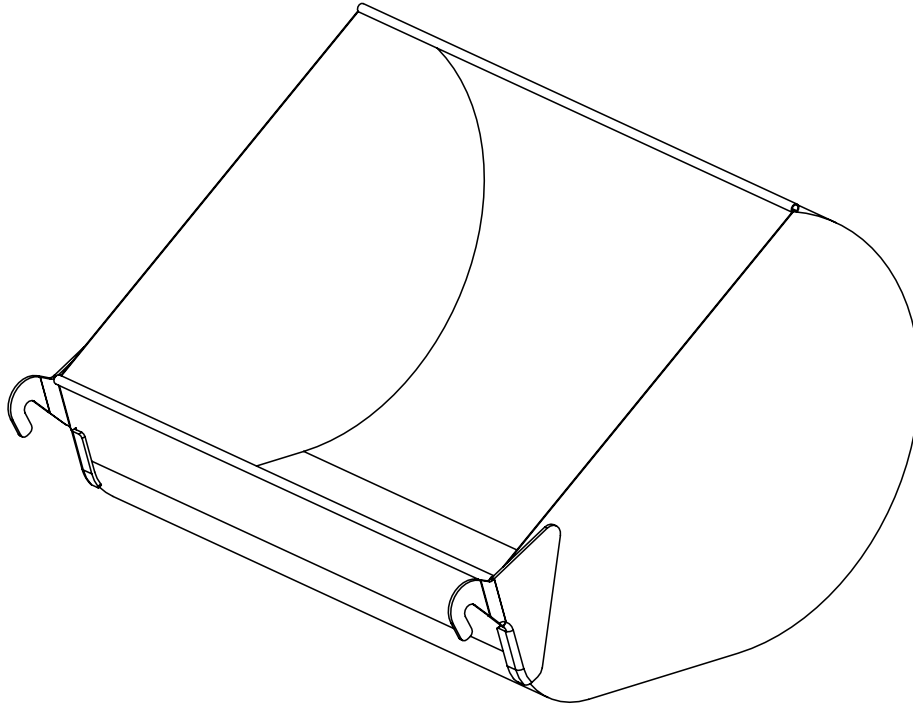
Item No	Part No	Description	Qty	Item No	Part No	Description	Qty
1	731847	Handle- Upper, MSV	1	37	031579	Drum Assy, Clutch 400	1
2	979279	Bail Arm Assy, SP MSV	1		031587	Drum Assy, Clutch 500/660	1
3	031989	Cable- Clutch, Thumb Wheel	1	38	002834	Housing- Bearing	1
4	503558	Screw, Set M6x45	1	39	004292	Ring- Bearing Housing	1
5	501764	Nut, M6 Nylocx 6 Thck	1	40	503273	Bearing, Ball 17x40x12 6203 2S	1
6	979278	Bail Arm Assy, OPC MSV	1	41	002818	Sprocket- 11T, Drive	1
7	031878	Cable- Engine, OPC	1	42	501715	Screw, Set M8x15 1mm Pitch	1
8	503882	Grommet, Blanking	2	43	503747	Washer, Spg 8	1
9	503883	Bolt, Hex M8x100	1	44	501606	Washer, Flt 8x18x1.6	1
10	503831	Nut, M8 Hex Nyloc 6 Thck	1	45	501598	Screw, Set M8x25 Hex	3
11	583458	Control- Throttle, Housing Wescon	1	46	501602	Nut, M8 Hex	3
12	503604	Screw, Pan M6x45	1	47	006028	Washer, Flt 12x22x3.0	2
13	501764	Nut, M6 Nylocx 6 Thck	1	48	501703	Washer, Flt 6x14x1.2	3
14	583442	Mount- Throttle, Top	1	49	500201	Washer, Spg 6	3
15	583340	Cover- Throttle, Bottom	1	50	503223	Screw, Set M6x16 HT8.8 Hex	3
16	503650	Screw, S/T M5x18 Wasr	4		__==__		
17	582419	Lever- Handle, Locking MSV	2	51	031831	Lever- Clutch	1
18	503369	Pin, Tension 3/16x7/8	2	52	031845	Spring- Clutch	1
19	016777	Washer, Slipper S/S	2	53	031830	Lever Carrier- Clutch	1
20	583041	Stud- Handle, Lock Short	2	54	031843	Washer. Fly 16.5x75x3.0	1
21	501793	Nut, M8 Nylocx 8 Thck	2	55	031840	Post- Clutch	1
22	501606	Washer, Flat 8x19x1.6	2	56	031988	Sprocket- Clutch Plate Assy	1
23	031848	Handle- Lower, 400	1	56a	031987	Liner- Clutch Face Cork	1
	031849	Handle- Lower, 500	1	57	031963	Sprocket- 42T, Plate & Boss Assy	1
	031850	Handle- Lower, 660	1	58	503901	Bearing, Ball 12x28x8 6001 2RSH	1
24	501598	Screw, Set M8x25	4	59	031965	Washer- Centralizing Brass	1
25	501606	Washer, Flat 8x19x1.6	4	60	503938	Bolt, M8x120 Hex	1
26	501793	Nut, M8 Nylocx 8 Thck	4	61	501764	Nut, M6 Nyloc 6 Thck	1
	__==__			62	580160	Screw, Set M6x50 Hex	1
27	731583	Cover- Trans, 400	1	63	031842	Washer, Thrust	1
	731909	Cover- Trans, 500/660	1	64	501793	Nut, M8 Hex Nyloc 8 Thck	1
28	503591	Screw, Pan M6x12	4		__==__		
29	501703	Washer, Flt 6x14x1.2	4				
30	031958	Spacer- Drive Shaft, 13mm	1				
31	031912	Clutch- Drive Assy	1				
32	005634	Spring- Clutch	3				
33	031913	Boss- Clutch, 19 Dia B&S	1				
	031914	Boss- Clutch, 20 Dia Honda	1				
34	501719	Screw, Grb M6x8	2				
35	536178	Key- Engine 3/16"SQ x 24 B&S	1				
	536012	Key- Engine 3/16"SQ x 38 Honda	1				
36	501213	Bearing, Ball 12x32x10 6201 2RS	1				



Masport

REEL LAWN MOWERS Plain Rear Roller

Item No	Part No	Description	Qty	Item No	Part No	Description	Qty
*	031916	Rear Roller Assy, Complete 400	1			NOT ILLUSTRATED	
	031918	Rear Roller Assy, Complete 500	1				
	031920	Rear Roller Assy, Complete 660	1	031880		Safety Switch Housing	1
65	031917	Roller- Rear, Plain Half 400	2	031881		Safety Switch Cover	1
	031918	Roller- Rear, Plain Half 500	2	031885		Safety Switch Lever Arm	1
	031921	Roller- Rear, Plain Half 660	2	031906		Safety Switch Loom B&S	1
66	503399	Rivet- Pop 4.8x13	6	031882		Safety Switch Loom Honda	1
67	002707	Gear- Bevel, 24 T	2	031796		Owners Manual	1
68	004847	Seal- Rear Roller	2				
69	008945	Spindle- Rear Roller, 400	1				
	008947	Spindle- Rear Roller, 500	1				
	008948	Spindle- Rear Roller, 660	1				
70	002708	Pinion- Bevel, 14T	2				
71	008944	Collar	2				
72	007473	Pin, Split 3.0Dx30	2				
73	007494	Pin, Tension 6.0x45	1				
74	002732	Washer, Flt 22x40x2.0	2				
75	007260	Circlip, 7/8" Ext DIN 471	2				
76	000409	Housing- Bearing	2				
77	004292	Ring- Bearing Housing	2				
78	503273	Bearing, Ball 17x40x12 6203 2S	2				
79	002618	Plate- Seal, Bearing	1				
80	002604	Sprocket & Boss Assy, Rear Roller	1				
81	503872	Washer, Flt 8x20x3.0	1				
82	503747	Washer, Spg 8	1				
83	801717	Screw, Set M8x20 1mm Pitch	1				
84	501598	Screw, Set M8x25 Hex	4				
85	501606	Washer, Flt 8x18x1.6	4				
86	501602	Nut, M8 Hex	4				
87	004929	Chain, 3/16" x 1/2, 40P	1				
88	731971	Link, Chain 1/2	1				
		==					
89	031585	Cover- Chaincase	1				
90	501606	Washer, Flt 8x18x1.6	1				
91	503747	Washer, Spg 8	1				
92	501863	Screw, Set M8x12 Hex	1				



731581 Catcher Assy, 400 1

731591 Catcher Assy, 500 1

731593 Catcher Assy, 660 1