

# Masport®

## EURO C E ROTARY MOWERS SERIES - 19

### MSV 550 SP - OPC

Part Number 983766 MSV550SP Quantum XVS 60

Month and Year of First Manufacture - December 2006  
From Serial Number 1728639

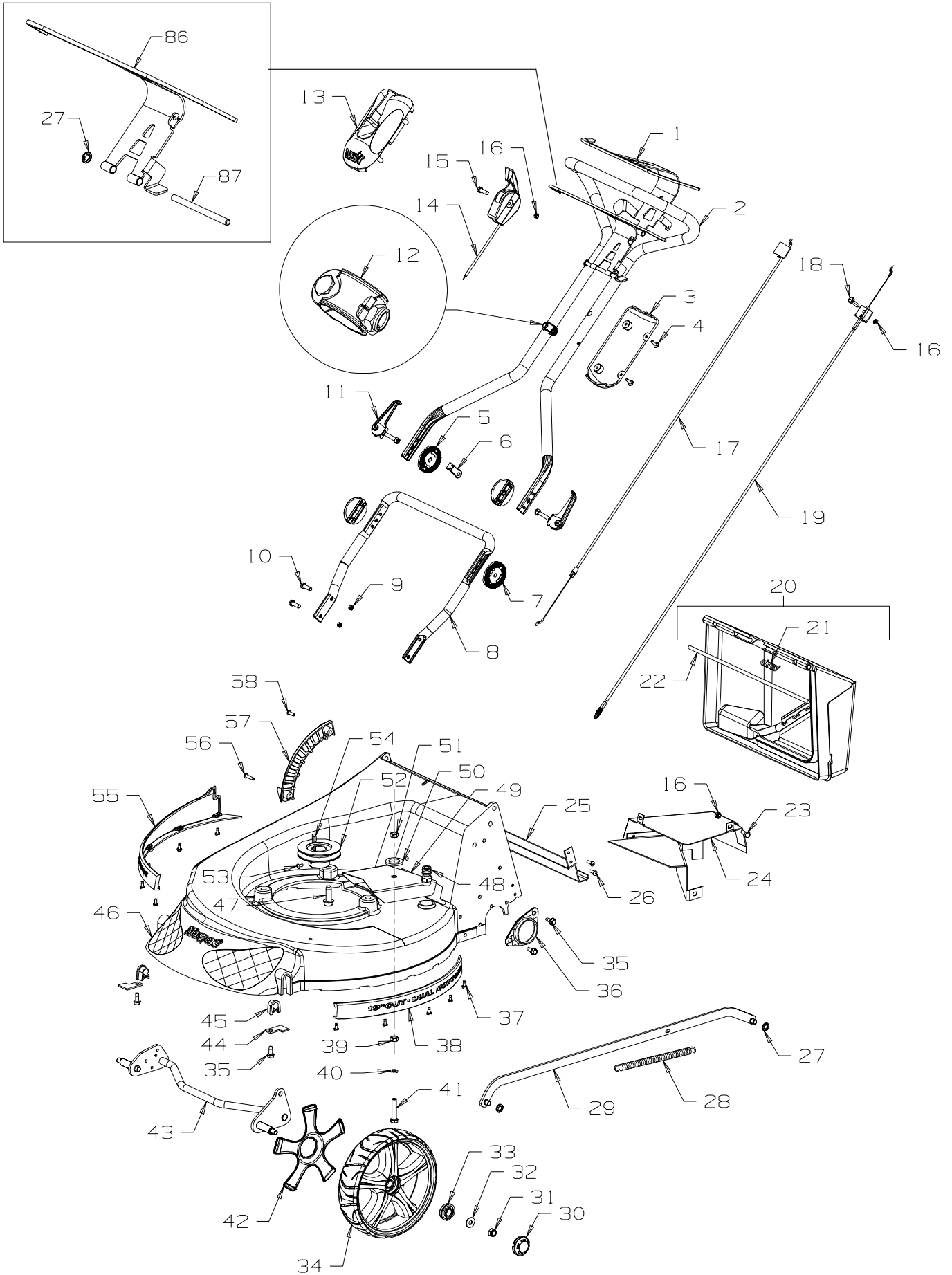




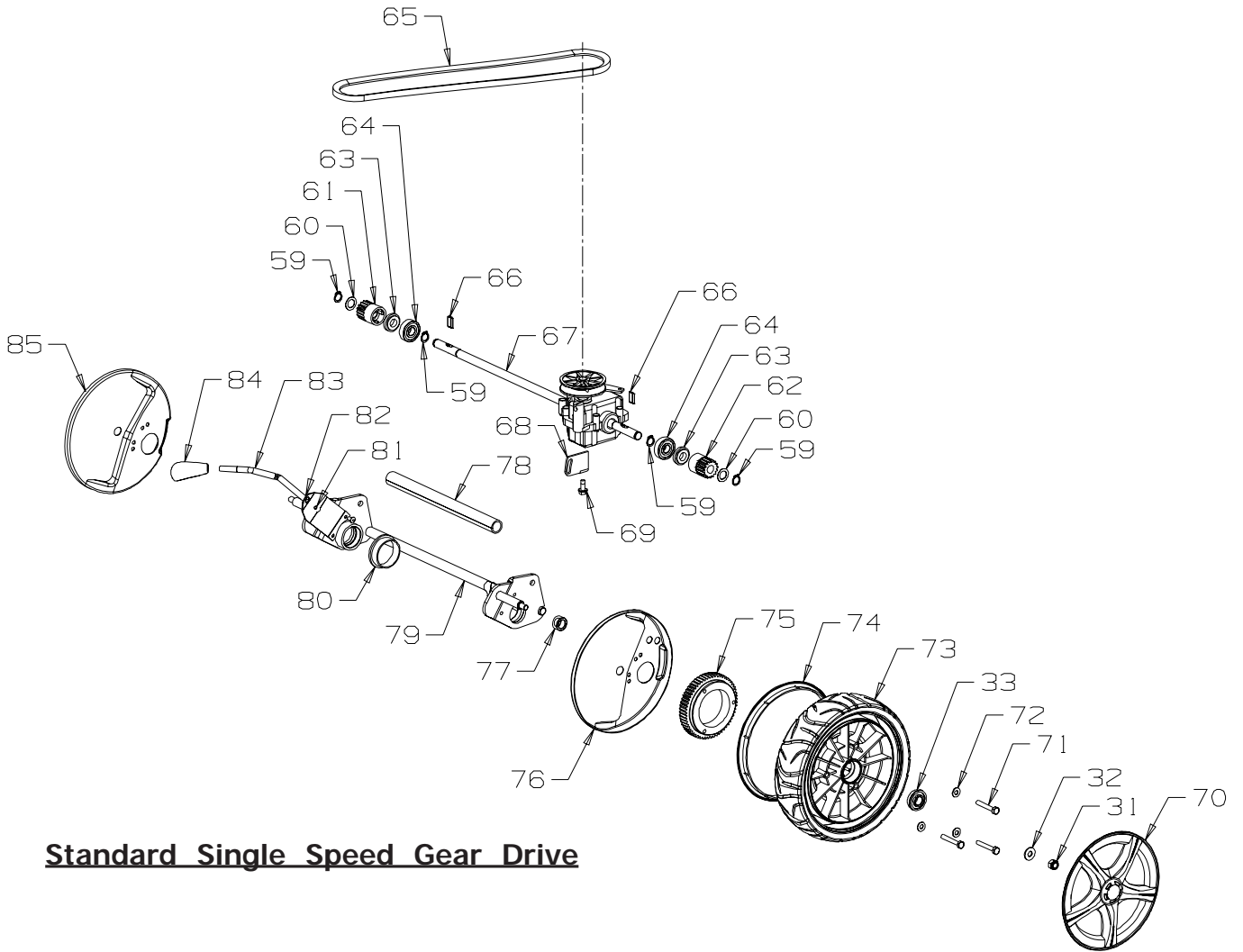
**MSV 550 SP**  
Powered by: Briggs & Stratton Quantum XVS 60

# Masport

**SERIES - 19**  
**MSV 550 SP**



When ordering PLEASE QUOTE PART NUMBER & Description, NOT Illustration No.  
Determine right or left hand side from standing in operating position (standing at handle)



### Standard Single Speed Gear Drive

### Display Packaged Components



**783466** Throttle



**783690** 2 x Bolts



**783529** 2 x Blades & Bolts

When ordering PLEASE QUOTE PART NUMBER & Description, NOT Illustration No.  
Determine right or left hand side from standing in operating position (standing at handle)



MSV 550 SP  
Powered by: Briggs & Stratton Quantum XVS 60

# Masport

**SERIES - 19**  
**MSV 550 SP**

Item No	Part No	Description	Qty	Item No	Part No	Description	Qty
1	979279	Bail Arm Assy	1	45	580030	Bush-Pivot, Front Axle	2
2	979071	Handle-Upper, Upturned, Adjustable	1	46	779519	<b>Housing - Titanuim</b>	
3	583340	Cover-Throttle-Bottom - Black	1			<b>(incl. items 25-26)</b>	1
4	503650	Screw, S/T M5 x 18	4	47	580453	Screw; S/T 3/8" x 1 1/8"	3
5	581660	Disc - Locking Outer	2	48	503783	Cyclowash-Fitting	1
6	581527	Retainer-Clutch Cable-Handle	1	49	983562	Cover-Belt - Black	1
7	581659	Disc - Locking Inner	2	50	572199	Washer-Flat 8 x 32 x 2	1
8	982418	Handle-Lower,"U" - Ajustable, Blk	1	51	503526	Nut, Dome M8	1
9	501793	Nut, Nyloc M8	6	52	782373	<b>Pulley-Engine, 25mm</b>	
10	501597	Screw, Set M8 x 20	4			<b>(incl. item 53)</b>	1
11	779755	<b>Cam Lock Assy - Black</b>	1	53	503386	• Screw; Grub M8 x 8	1
	016777	•Washer-Slipper	2	54	503363	Key-Woodruff 5/8" x 3/16" x 1/4"	1
	503369	• Pin; Tension 3/16" x 7/8"	2	55	579052	Skirt-Side, R/H - Black	1
	583041	• Stud-Handle Lock Short	2	56	503840	Rivet-Pop 4.8 Dia x 19	1
	582419	•Lever-Handle Locking	2	57	582416	Quadrant-Height Selector	1
12	782546	Kit - Comfort Start	2	58	581369	Rivet-Pop 4.0 Dia x 3.2	1
13	983351	Mount-Throttle, Top - Black	1	59	503759	Circlip, 12 Ext	4
14	583548	Control-Throttle, -Ve/Ch	1	60	503102	Washer-Flat 12 x 20 x 0.4	2
	783466	Control-Throttle, -Ve/Ch (Display Pkg)		61	581091	Pinion-RH	1
15	503604	Screw, Pan M6 x 45	1	62	581090	Pinion-LH	1
16	501764	Nut, Nyloc M6	7	63	581093	Cap-Pinion - Plastic	2
17	582516	Cable-Engine	1	64	501213	Bearing, Ball 12 x 32 x 10	2
18	503455	Screw, Pan M6 x 40	1	65	581626	Belt-V	1
19	583570	Cable-Clutch, Thumb Wheel	1	66	581092	Pawl-Pinion	2
20	982414	<b>Flap Assy-Smart Chute - Black</b>		67	583487	Gearbox-Single Speed	1
		<b>(incl. items 21-22)</b>	1	68	983496	Mount-Gearbox	1
21	583343	•Spring-Flap	1	69	501863	Screw, Set M8 x 12	1
22	583312	• Wire-Flap, Pivot 325mm x 8mm		70	579207	Hub Cap-220mm - Silver	2
23	503223	Screw, Set M6 x 16	3	71	580179	Screw-Set M6 x 40	6
24	983559	Cover Assy-Gearbox	1	72	501703	Washer, Flat 6 x 14 x 1.2	6
25	583499	Brace-Rear	1	73	579070	Wheel Assy-220mm BB, Black	2
26	503200	Rivet-Pop 4.8 Dia x 12.7	4	74	580046	Seal-Wheel	2
27	501365	Clip-Starlock, 5/16"	3	75	580038	Gear-Driving	2
28	581463	Spring-Counter Balance	1	76	583531	Cover-Dust, RH	1
29	983497	Rod Assy-Connecting	1	77	983495	Spacer-Wheel	2
30	579204	Hub Cap-Button - Silver	2	78	583563	Sleeve-Rear Axle	1
31	503831	Nut, Nyloc M8	4	79	983492	Axle Assy-Rear Drive	1
32	501606	Washer, Flat 8 x 19 x 1.6	4	80	580091	Bush-Pivot, Rear Axle	2
33	551212	Bearing-Wheel	8	81	503373	Rivet-Flathead 3/16" x 27/64"	3
34	579203	Wheel Assy-200mm, BB, Mag	2	82	580649	Spring-Leaf	1
	551212	Bearing-Wheel (2 per wheel)		83	583592	Rod-Height Selector	1
35	501959	Screw-Set 6 x 12	6	84	581729	Knob-Height, Lever Adjust	1
36	581178	Retainer-Axle, Rear	2	85	583530	Cover-Dust, LH	1
37	503834	Screw; S/T M4 x 10	10	86	979278	Bail Arm Assy, OPC, Black	1
38	579053	Skirt-Side, L/H - Black	1	87	983505	Pin-Pivot, Bail Arm	1
39	501602	Nut, M8	1			<b>NOT ILLUSTRATED</b>	
40	500204	Washer; Spring 3/8"	2				
41	501843	Screw, Set M8 x 40	1	583522	Owners Manual		1
42	579205	Cover-Inner, Wheel - Black	2	503054	Tie-Nylon, Cable		3
43	583305	Axle Assy-Front, 200mm	1	580778	Stop-Rope		1
44	983315	Plate Retainer, Front Axle	2	503532	Guard-Muffler		1

**Bold Text** = Assemblies  
**Bulleted Text** = Items included in Assemblies

When ordering PLEASE QUOTE PART NUMBER & Description, NOT Illustration No.  
Determine right or left hand side from standing in operating position (standing at handle)

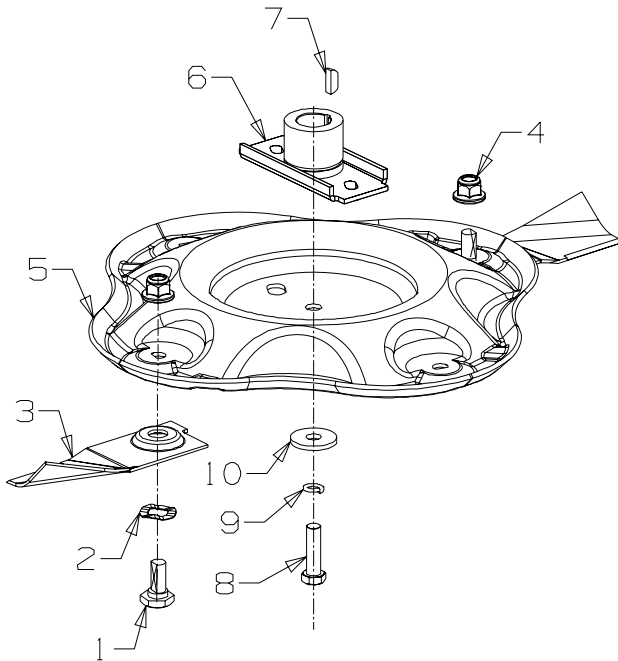


MSV 550 SP  
Powered by: Briggs & Stratton Quantum XVS 60

# Masport

**SERIES - 19**  
**MSV 550 SP**

## 485mm Disc Blade Assembly



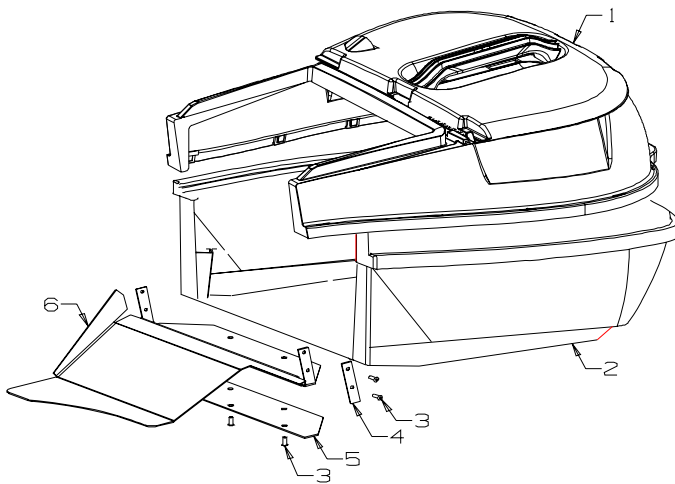
Item No	Part No	Description	Qty
1	581707	• Bolt-Blade, M10 x 22	2
2	580693	• Waivy Washer, 13.4 x 24.2 x .51	2
3	583529	• Blade-Swing Back - 485mm	2
4	503672	• Nut, Flange Nyloc M10	2
5	583314	Disc-Blade, Contoured	1
6	531640	Driver-Blade - 25mm Shaft	1
7	503363	Key, Woodruff - 5/8" x 3/16" x 1/4"	1
8	581610	Screw, Set NF 3/8" x 1.25	1
9	500204	Washer, Spring 3/8"	1
10	503855	• Washer 9.75 x 30 x 4	1

Refer illustrations Page. 3

**783529** Blade-Quick Cut, 485mm (incl. items 1-4)  
**783690** Bolt Set (Blister Display) (incl. items 1&2)

**Bold Text** = Assemblies  
**Bulleted Text** = Items included in Assemblies

## Catcher Assembly Complete, Plastic



Item	Part No	Description	Qty
1	783556	<b>Lid Assy-Catcher - Black</b>	1
		• Clip-Starlock	2
		• Clamp-Indicator	2
		• Indicator	1
		• Decal-Indicator	1
2	979310	Catcher-Bottom - SP - Black	1
3	501303	Rivet-Pop 4.0 x 7.9	9
4	982223	Plate-Rivet	2
5	583565	Plate-Backing	1
6	583498	Lip	1

**Bold Text** = Assemblies  
**Bulleted Text** = Items included in Assemblies

### HEAD OFFICE - NEW ZEALAND

P.O. Box 14-349, Panmure  
Auckland 1741, NEW ZEALAND  
Phone: (64 9) 571 1200  
Fax: (64 9) 571 5864  
Website : [www.masport.com](http://www.masport.com)  
Email : [sales@masport.co.nz](mailto:sales@masport.co.nz)