

橋 様

PARTS LIST

MSD40

CONTENTS

- 1- CRANKCASE, INLET VALVE 1~ 2
- 2- PRESSURE REGULATOR VALVE 3~ 4

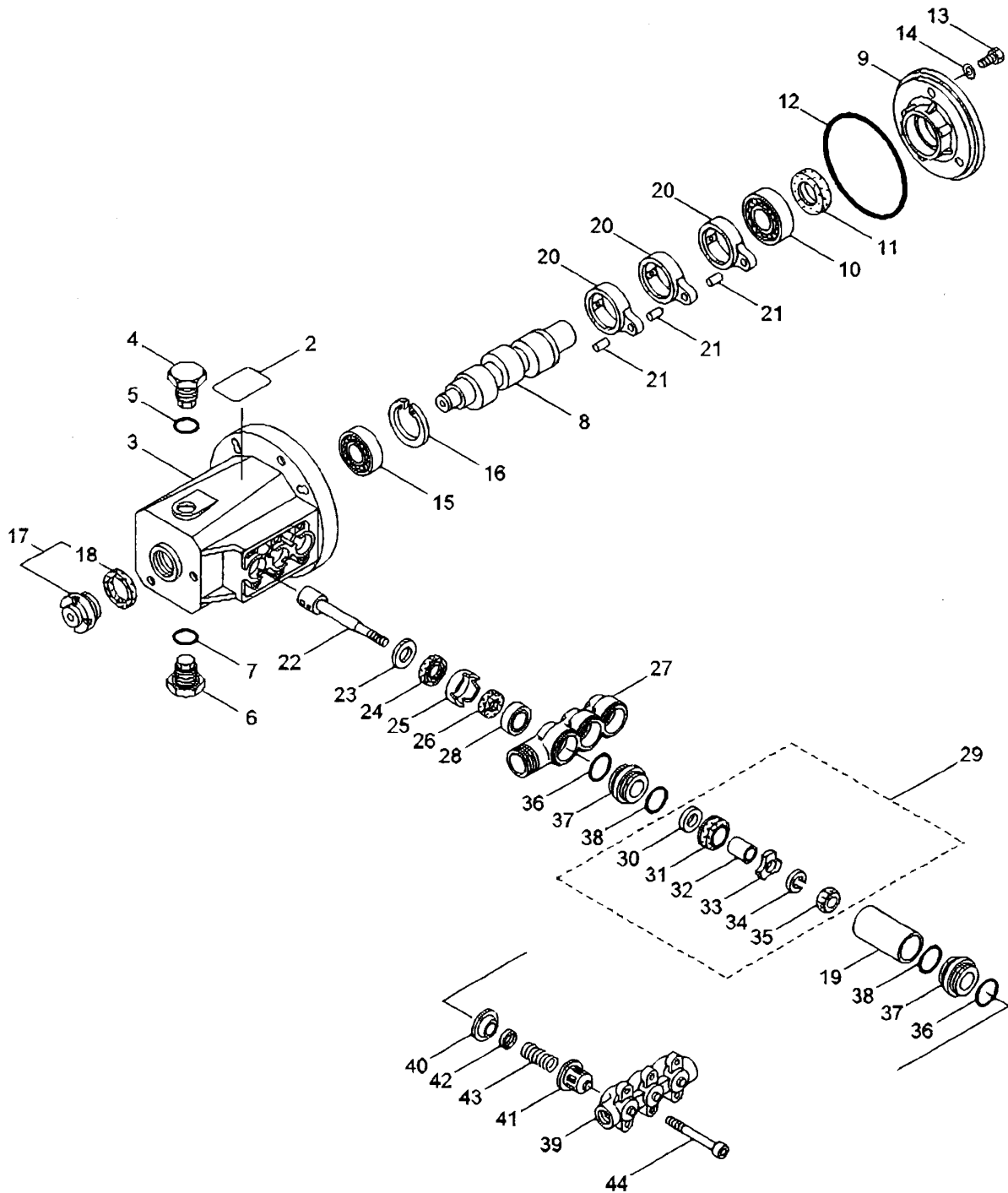
2002.6.



MARUYAMA

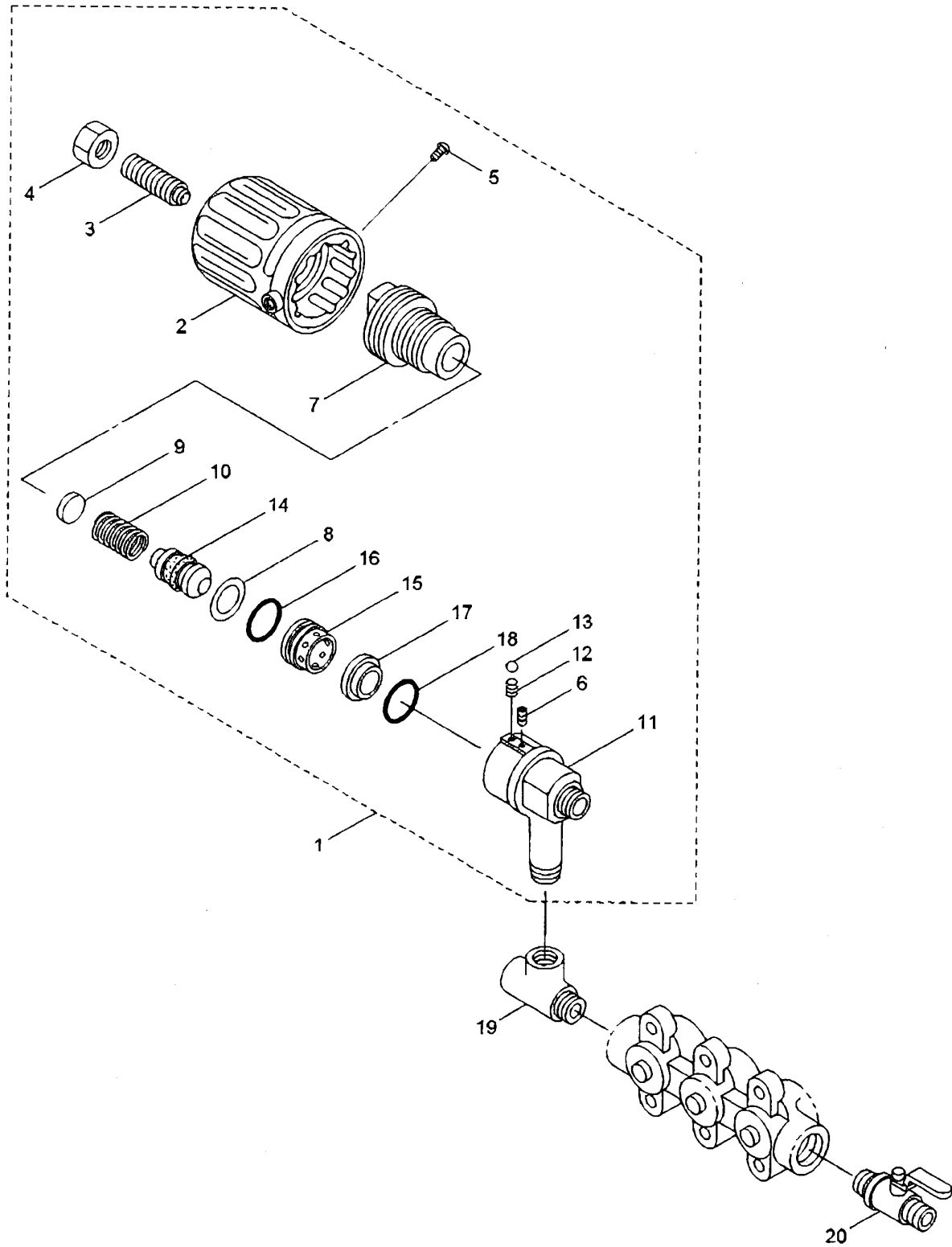
P/N.521488

1. MSD40 CRANKCASE, INLET VALVE



Ref.No.	Part No.	Part Name	Q'ty			Remarks
			MM	3/4	5/8	
1-1	354037	MSD40(20MM)	1			
1-1	354038	MSD40(3/4IN)		1		
1-1	354040	MSD40(5/8IN)			1	
1-2	546000	Label	1	1	1	MSD40
1-3	546041	Crankcase	1	1	1	
1-4	044839	Oil Filler Cap	1	1	1	
1-5	014179	O-Ring	1	1	1	P20
1-6	044842	Plug	1	1	1	
1-7	014179	O-Ring	1	1	1	P20
1-8	545943	Crankshaft	1			7.0x20
1-8	545981	Crankshaft		1		7.0x19.07
1-8	546772	Crankshaft			1	7.0x15.9
1-9	044857	Bearing Case	1	1	1	
1-10	014488	Bearing	1	1	1	#6006
1-11	044859	Oil Seal	1	1	1	D30477
1-12	014044	O-Ring	1	1	1	S112
1-13	089551	Bolt	3	3	3	M6x16
1-14	150810	Seal Washer	3	3	3	M6
1-15	015710	Bearing	1	1	1	#6204
1-16	012385	Snap Ring	1	1	1	#47
1-17	092241	Oil Gauge Ass'y	1	1	1	Incl.18
1-18	044428	Packing	1	1	1	25x34xt2.5
1-19	541811	Cylinder Pipe	3	3	3	25x28.5x43L
1-20	045876	Connecting Rod	3	3	3	
1-21	016948	Piston Pin	3	3	3	9x22L
1-22	541809	Piston Rod	3	3	3	
1-23	020017	Washer	3	3	3	17x24xt1.2
1-24	025461	Oil Seal	3	3	3	S10.5247
1-25	044869	Seal Retainer	3	3	3	
1-26	011402	Oil Wick	3	3	3	10x19x5
1-27	545944	Inlet Manifold	1	1	1	
1-28	540670	U-Packing	3	3	3	
1-29	639503	Inlet Valve Ass'y	3	3	3	Incl.30-35
1-30	014122	Inlet Valva Seat	3	3	3	6.1x20xt2.8
1-31	116121	Piston Packing	3	3	3	
1-32	027348	Spacer	3	3	3	6x8.5x10.5L
1-33	119917	Retainer, Piston	3	3	3	
1-34	015849	Spring Washer	3	3	3	M6
1-35	046365	Nylon Nut	3	3	3	M6
1-36	023172	O-Ring	6	6	6	P22
1-37	546860	Pipe Receiver	6	6	6	
1-38	015862	O-Ring	6	6	6	P21
1-39	544499	Discharge Manifold	1	1	1	
1-40	044881	Valve Seat	3	3	3	
1-41	044565	Retainer	3	3	3	
1-42	043723	Discharge Valve	3	3	3	
1-43	541062	Spring	3	3	3	0.6-15L
1-44	544090	Cap Screw	6	6	6	M8x110x28

2. MSD40 PRESSURE REGULATOR VALVE



Ref.No.	Part No.	Part Name	Q'ty			Remarks
			MM	3/4	5/8	
2-1	546849	Pressure Regulator Valve	1	1	1	Incl.2-18
2-2	540936	Grip	1	1	1	
2-3	088913	Cap Screw	1	1	1	M8x35
2-4	081039	Nut	1	1	1	M8
2-5	087483	Screw	2	2	2	M3xP0.5x5
2-6	088912	Cap Screw	1	1	1	M4x6
2-7	106495	Guide	1	1	1	
2-8	106499	Washer	1	1	1	16x21xt0.7
2-9	541769	Retainer	1	1	1	15xt2.5
2-10	109298	Spring	1	1	1	
2-11	546500	Body	1	1	1	
2-12	107221	Spring	1	1	1	0.6-7L
2-13	106498	Ball	1	1	1	5/32(3.9688)
2-14	543591	Piston Ass'y	1	1	1	
2-15	103306	Sleeve	1	1	1	
2-16	019261	O-Ring	1	1	1	P16
2-17	543507	Valve Seat	1	1	1	
2-18	019261	O-Ring	1	1	1	P16
2-19	542258	Tee	1	1	1	PT3/8(M)XPT3/8(F)
2-20	541796	Cock Ass'y		1	1	PT3/8xPF1/4