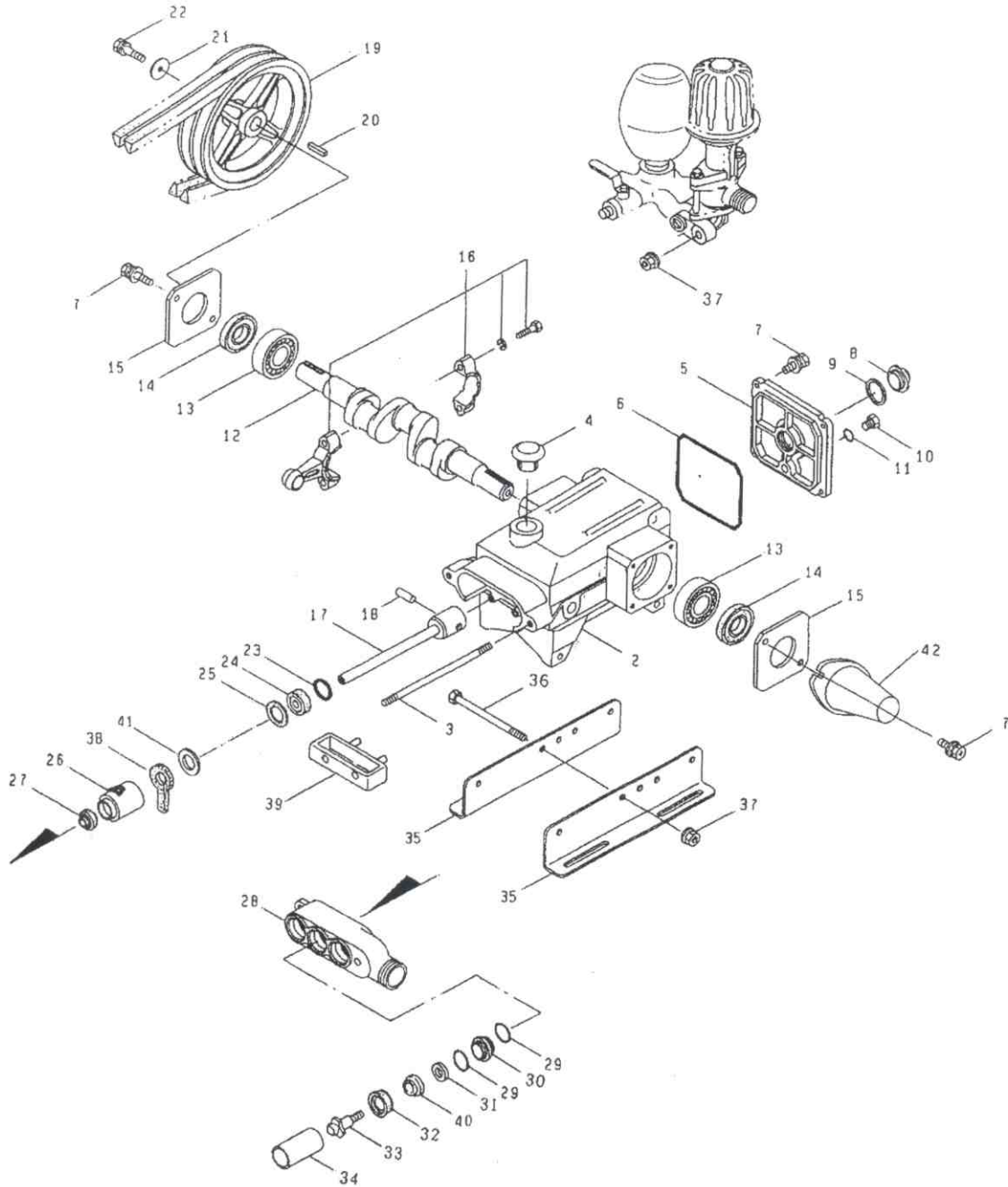


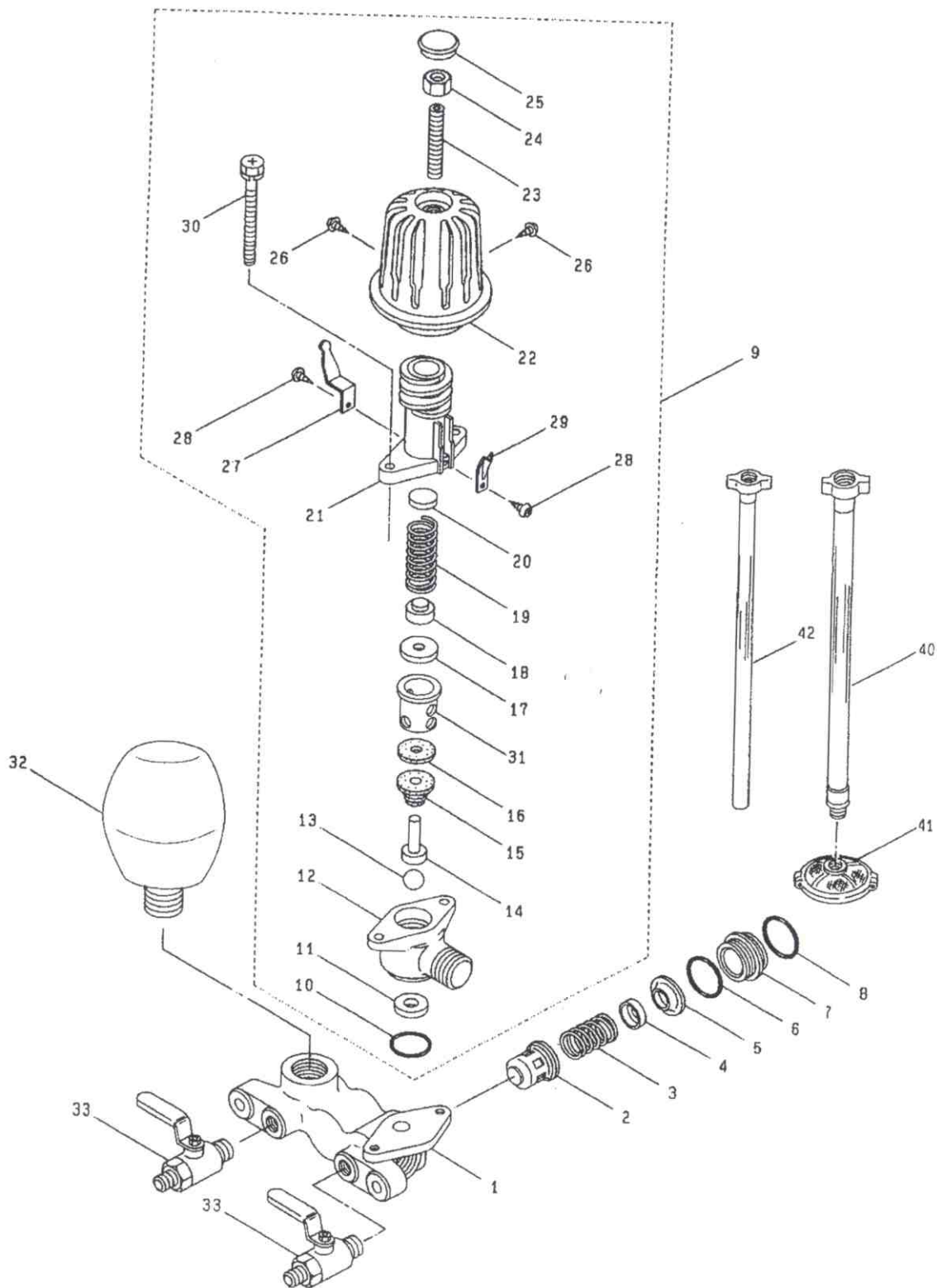
PARTS LIST MODEL MS 330

1. CRANKCASE, INLET VALVE



Ref. No.	Part No.	Part Name	Q'ty	Remarks
1-1	353986	MS330	1	
1-2	118176	Crankcase	1	
1-3	085203	Stud	2	M8 x 150 x 11 x 18
1-4	117420	Cap	1	
1-5	118646	"Rear Cover, Crankcase"	1	
1-6	014041	"O-Ring, Rear Cover"	1	S100
1-7	092519	Bolt	8	M6 x 16
1-8	043987	Oil Gauge	1	
1-9	044428	Packing	1	ø25 x ø34 x t2.5
1-10	025625	Drain Plug	1	PF1/4
1-11	023170	O-Ring	1	P12.5
1-12	117422	Crankshaft	1	
1-13	014487	Bearing	2	# 6304
1-14	117423	Oil Seal	2	D20 52 8
1-15	117424	Plate	2	
1-16	117482	Connecting Rod Assy	3	
1-17	118183	Piston Rod	3	
1-18	016948	Piston Pin	3	
1-19	100837	V-Pulley	1	ø152 - A x 2
1-20	014543	Key	1	5 x 5 x 25L
1-21	100836	Washer	1	ø8.5 x ø 30 x t3.2
1-22	092521	Bolt	1	M8 x 20
1-23	020017	Washer	3	ø17 x ø24 x t1.2
1-24	025461	Oil Seal	3	S10.5 24 7
1-25	026854	Washer	3	ø20 x ø28 x t1.2
1-26	117576	Seal Retainer	3	
1-27	100015	Seal	3	
1-28	027713	"Manifold, Inlet"	1	
1-29	015862	O-Ring	6	P21
1-30	016957	Adapter	3	
1-31	014122	Inlet Valve Seat	3	
1-32	016958	Piston Packing	3	
1-33	118628	Piston Retainer	3	
1-34	022929	Cylinder	3	
1-35	117438	Angle Rail	2	
1-36	080275	Bolt	2	M8 x 115 x 30
1-37	101804	Nut	4	M8
1-38	027711	Oil Wick	3	
1-39	027112	Oil Pan	1	
1-40	022930	Suction Valve Seat	3	
1-41	026853	Packing	3	
1-42	025130	Protector	1	

2. DISCHARGE VALVE, PRESSURE REGULATOR VALVE



Ref. No.	Part No.	Part Name	Q'ty	Remarks
2-1	119673	Manifold, Discharge	1	
2-2	022841	Retainer	3	
2-3	022031	Spring	3	
2-4	022842	Discharge Valve	3	
2-5	029487	Discharge Valve Seat	3	
2-6	023172	O-Ring	3	P22
2-7	022931	Adapter	3	
2-8	015862	O-Ring	3	P21
2-9	118236	Pressure Regulator Valve Assy	1	Incl. 10 ~ 31
2-10	014179	O-Ring	1	P20
2-11	117443	Valve Seat	1	
2-12	118237	Body	1	
2-13	107238	Valve Ball	1	1/2
2-14	016975	Valve Rod	1	
2-15	011451	Bellows	1	
2-16	016972	Bellows Packing	1	ø5 x ø22 x t1.5
2-17	012255	Washer	1	ø6.2 x ø22 x t0.6
2-18	105521	Retainer	1	
2-19	105520	Spring	1	
2-20	019917	Retainer	1	
2-21	117448	Case	1	
2-22	118662	Grip	1	
2-23	088975	Screw	1	M10 x 48
2-24	084015	Nut	1	M10
2-25	105518	Cap	1	
2-26	089899	Tapping Screw	2	M4 x 13
2-27	117441	Indicator	1	
2-28	082744	Tapping Screw	2	M4 x 6
2-29	117440	Plate	1	
2-30	118610	Bolt	2	M6 x 55
2-31	012256	Valve Suck	1	
2-32	118246	Air Chamber	1	
2-33	117609	Cock Assy	2	G1/4 x R1/4
2-40	105936	Suction Hose Assy	1	ø19 x 3m
2-41	116682	Suction Strainer Assy	1	
2-42	104344	Overflow Hose Assy	1	ø13 x 3m