

PARTS LIST

MS161

CONTENTS

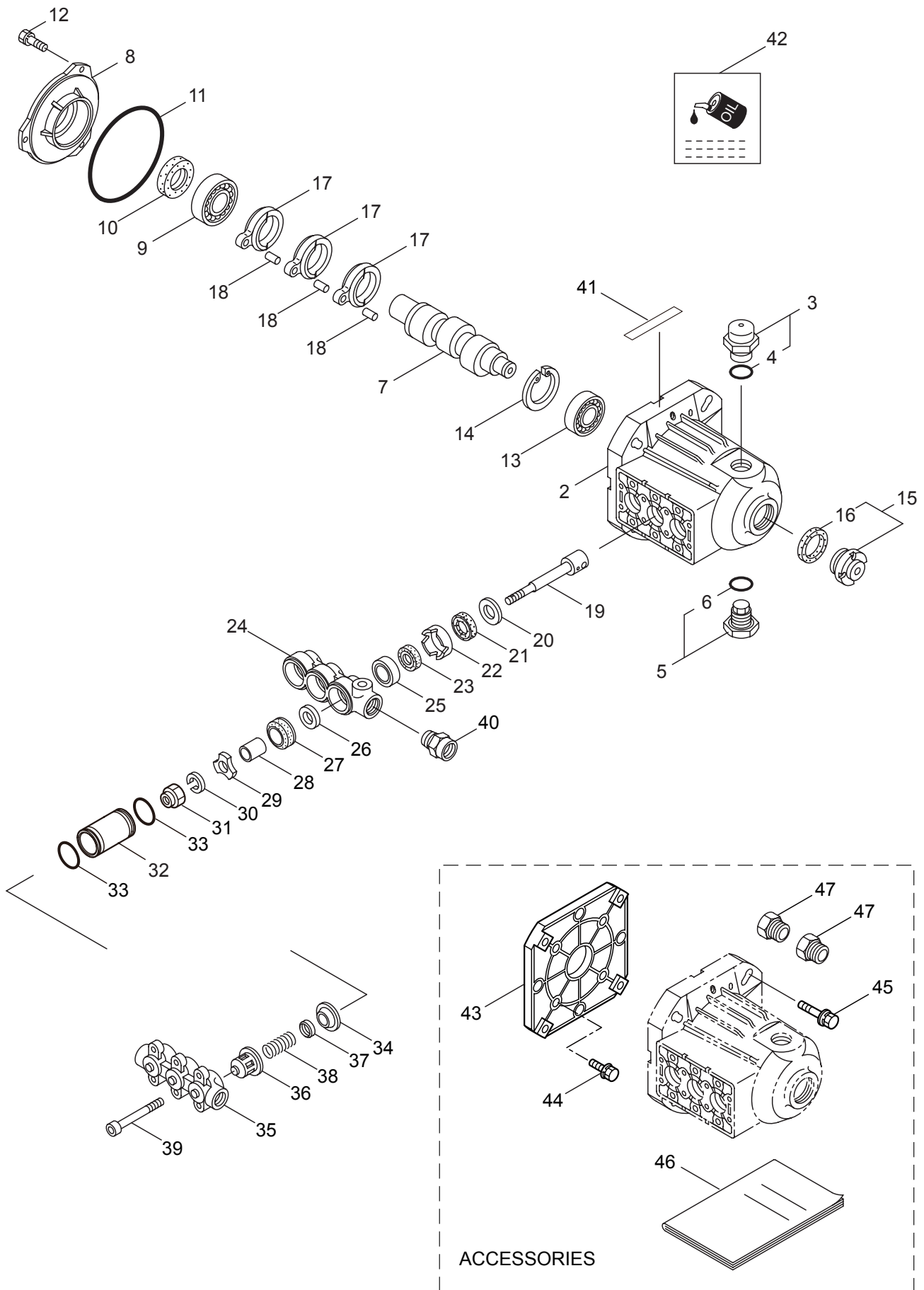
1. CRANKCASE, INLET VALVE	1 ~ 4
2. PRESSURE REGULATOR	5 ~ 6

2013. 03.



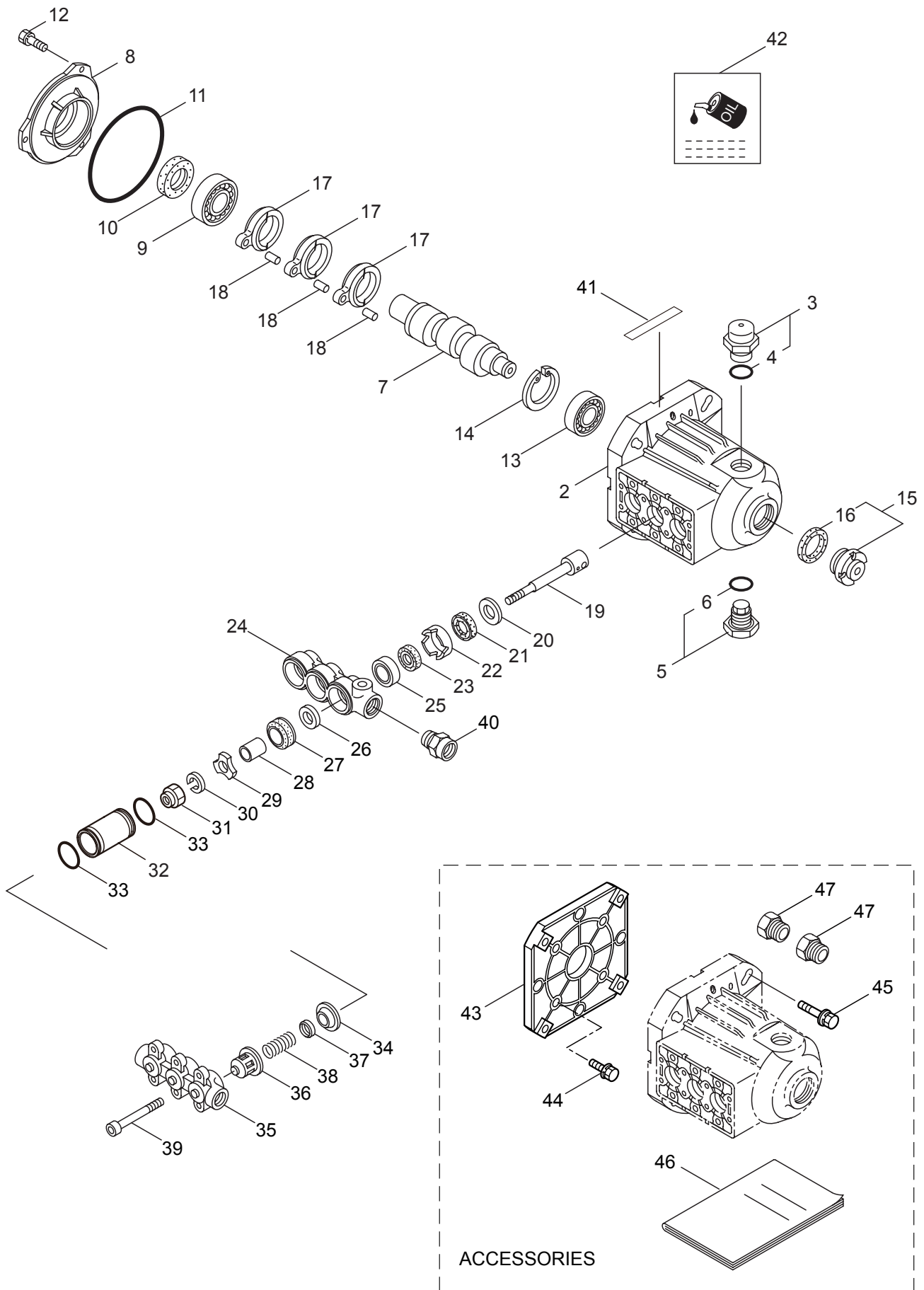
P/N 523585

1. MS161
CRANKCASE, INLET VALVE



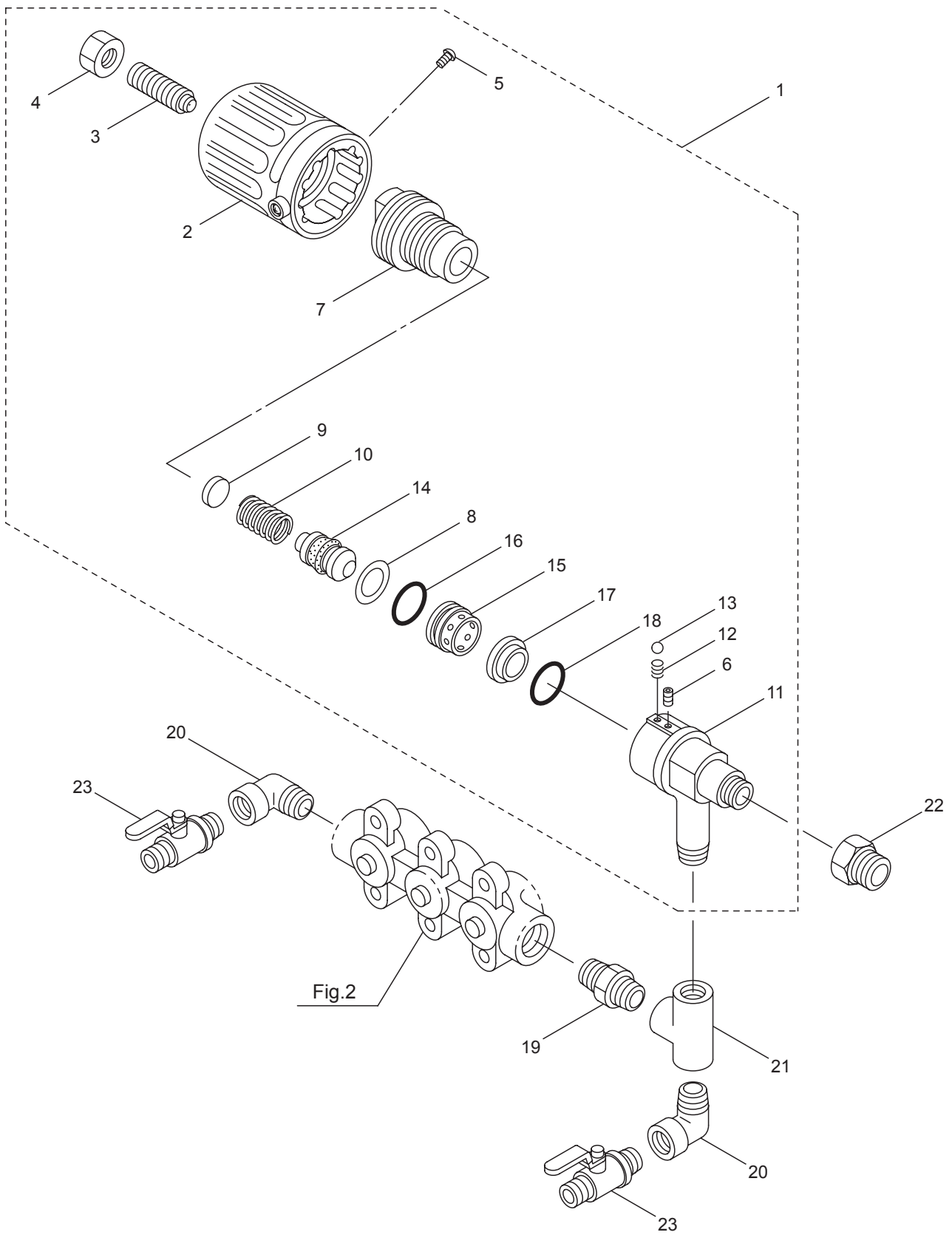
Ref. No.	Part No.	Part Name	Q'ty	Remarks
1-1	354128	MS161	1	
1-2	547336	Crankcase	1	
1-3	547961	Oil Filler Cap, Ass'y	1	Incl.4
1-4	014179	O-Ring	1	P20
1-5	811174	Plug Ass'y	1	Incl.6
1-6	014179	O-Ring	1	P20
1-7	543955	Crankshaft	1	
1-8	547153	Bearing Case	1	2SF
1-9	014488	Bearing	1	#6006
1-10	055337	Oil Seal	1	D30428
1-11	014041	O-Ring	1	S100
1-12	549360	Screw	3	M6x14
1-13	015710	Bearing	1	#6204
1-14	012385	Snap Ring	1	#47
1-15	092241	Oil Gauge Ass'y	1	Incl.16
1-16	044428	Packing	1	25x34xt2.5
1-17	547046	Connecting Rod	3	2SF38MM
1-18	016948	Piston Pin	3	9x22L
1-19	540948	Piston Rod Ass'y	3	
1-20	126259	Washer	3	17x24xT1.2
1-21	025461	Oil Seal	3	S10.5247
1-22	044869	Seal Retainer	3	
1-23	011402	Oil Wick	3	10x19x5
1-24	541753	Inlet Manifold	1	
1-25	540670	U-Packing	3	
1-26	028339	Inlet Valve Seat	3	6x16x3
1-27	028989	Piston Packing	3	
1-28	027983	Spacer	3	6x8.5x10L
1-29	027002	Piston Retainer	3	
1-30	015849	Spring Washer	3	M6
1-31	046365	Nylon Nut	3	M6
1-32	540946	Cylinder Pipe	3	18x26x30
1-33	011377	O-Ring	6	P22
1-34	044881	Valve Seat	3	
1-35	044879	Discharge Manifold	1	
1-36	046583	Retainer	3	
1-37	548608	Valve	3	16x1.5
1-38	541062	Spring	3	0.6-15L
1-39	126762	Cap Screw	6	M8x75x22
1-40	028371	Nipple	1	3/8-18NPTxPF1/2
1-41	831778	Label	1	MS161
1-42	548767	Label	1	
1-43	046271	Flange	1	
1-44	126763	Bolt	4	M8x20(SM)
1-45	541141	Bolt	4	3/8-35

1. MS161
CRANKCASE, INLET VALVE



Ref. No.	Part No.	Part Name	Q'ty	Remarks
1-46	831779	Instruction Manual	1	MS161
1-47	549606	Extension	2	G1/2xG1/4

2. MS161 PRESSURE REGULATOR



Ref. No.	Part No.	Part Name	Q'ty	Remarks
2-1	540935	Pressure Regulator	1	Incl.2-18
2-2	540936	Grip	1	
2-3	088913	Cap Screw	1	M8x35
2-4	126521	Nut	1	M8
2-5	549385	Screw	2	M3xP0.5x5
2-6	088912	Cap Screw	1	M4x6
2-7	106495	Guide	1	
2-8	106499	Washer	1	16x21xt0.7
2-9	541769	Retainer	1	15xt2.5
2-10	109298	Spring	1	
2-11	540937	Body	1	
2-12	107221	Spring	1	0.6-7L
2-13	106498	Ball	1	5/32(3.9688)
2-14	105724	Piston Ass'y	1	
2-15	103306	Sleeve	1	
2-16	019261	O-Ring	1	P16
2-17	103304	Valve Seat	1	
2-18	019261	O-Ring	1	P16
2-19	978677	Nipple	1	R3/8
2-20	549629	Elbow	2	
2-21	112570	Tee	1	G3/8
2-22	104260	Extension	1	G1/2xG3/8
2-23	541796	Cock Ass'y	2	R3/8xG1/4