

This catalog covers:
TJ035E-□L40

This fig. covers:
TITLE

PARTS CATALOG

2-STROKE ENGINE

TJ035E

PRODUCT CODE	NOTE
TJ035E-AL40	BRUSH-CUTTER (CFB8D)

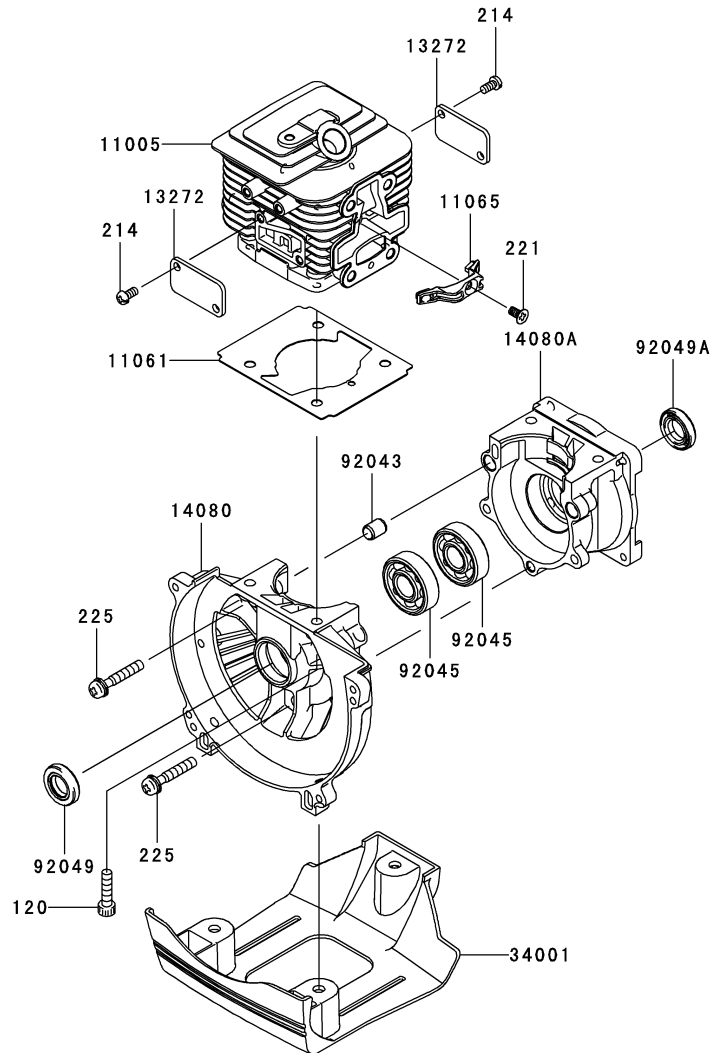
This catalog covers:

TJ035E- □ L40

This fig. covers:

01 CYLINDER/CRANKCASE

E0110-A596A



Ref. No.	Part No.	Description	Quantity
11005	11005-2160	CYLINDER-ENGINE	1
11061	11061-2192	GASKET	1
11065	11065-2130	CAP	1
13272	13272-2009	PLATE	2
14080	14080-2064	CRANKCASE	1
14080A	14080-2065	CRANKCASE	1
34001	34001-2090	STAND	1
92043	92043-1302	PIN	2
92045	92045-2058	BEARING-BALL,6201C3	2
92049	92049-2253	SEAL-OIL,ISCD12X22X4.5	1
92049A	92049-2267	SEAL-OIL,ISCD 12X22X4.5F	1
120	120CB0520	BOLT-SOCKET,5X20	4
214	214AA0408	SCREW-PAN+,-,4X8	4
221	221AA0408	SCREW-CSK-CROSS,4X8	1
225	225AA0530	SCREW-PAN-WSP-CROS,5X30	3

This catalog covers:

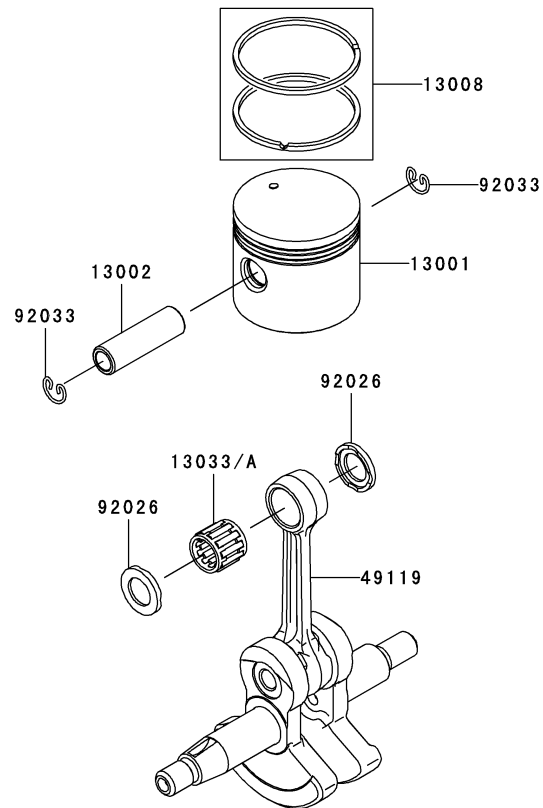
TJ035E- □ L40

02

This fig. covers:

PISTON/CRANKSHAFT

E0120-A378B



Ref. No.	Part No.	Description	Quantity
13001	13001-2170	PISTON-ENGINE	1
13002	13002-2059	PIN-PISTON	1
13008	13008-6045	RING-SET-PISTON	1
13033	13033-2065	BEARING-SMALL END	*
13033A	13033-2067	BEARING-SMALL END	1
49119	49119-2243	CRANKSHAFT-ASSY	1
92026	92026-2355	SPACER,9X15X1.8	2
92033	92033-2061	RING-SNAP	2

This catalog covers:

TJ035E- □ L40

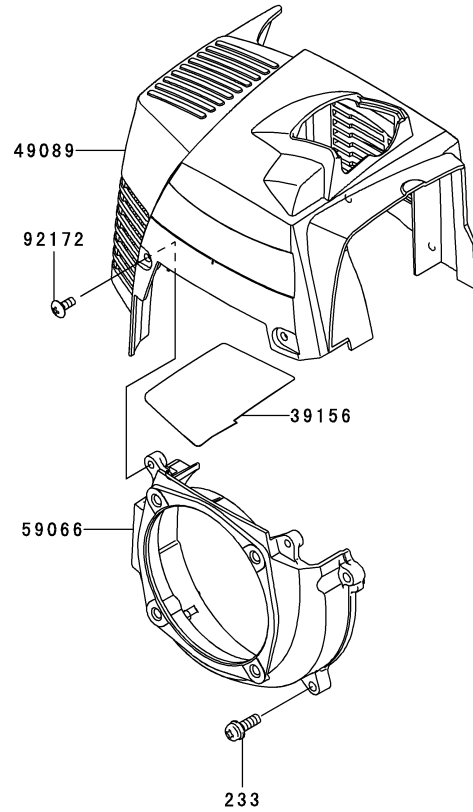
03

This fig. covers:

COOLING-EQUIPMENT

E0150-A835A

Ref. No.	Part No.	Description	Quantity
39156	39156-2089	PAD,SHROUD	1
49089	49089-2643	SHROUD-ENGINE	1
59066	59066-2800	HOUSING-FAN	1
92172	92172-2060	SCREW,4X10	2
233	233AA0516	SCREW-PAN-WP+,-,5X16	4

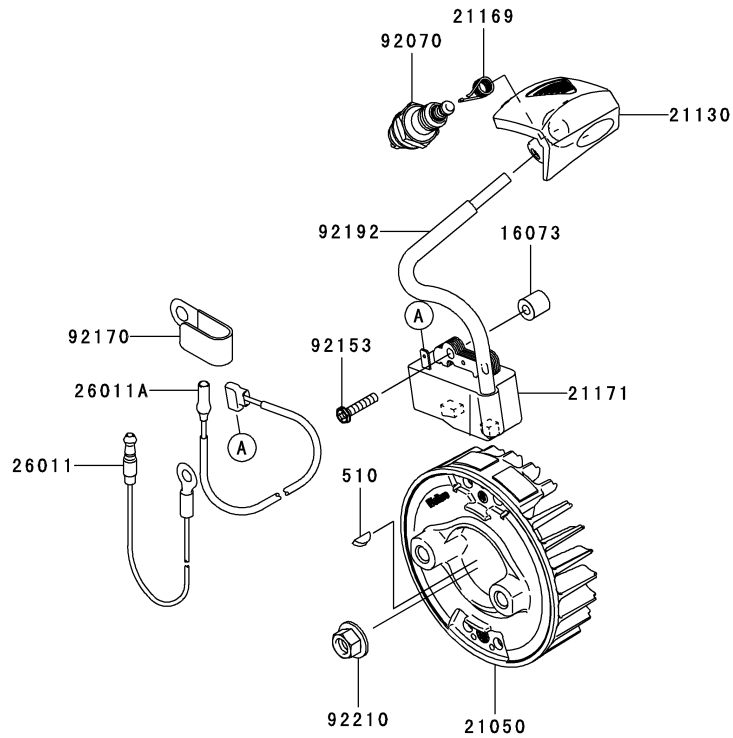


This catalog covers:
TJ035E- □ L40

04

This fig. covers:
ELECTRIC-EQUIPMENT

E0160-B209A



Ref. No.	Part No.	Description	Quantity
16073	16073-2220	INSULATOR	2
21050	21050-2317	FLYWHEEL	1
21130	21130-2074	CAP-SPARK PLUG	1
21169	21169-2051	TERMINAL	1
21171	21171-2257	COIL-ASSY-IGNITION	1
26011	26011-2113	WIRE-LEAD	1
26011A	26011-2361	WIRE-LEAD,L=230	1
92070	92070-2107	PLUG-SPARK,BPMR7A(NGK),SOLID	1
92153	92153-2134	BOLT,4X20	2
92170	92170-2041	CLAMP	1
92192	92192-2165	TUBE,6X6.6X80	1
92210	92210-2094	NUT	1
510	510A3100	KEY-WOODRUFF	1

This catalog covers:

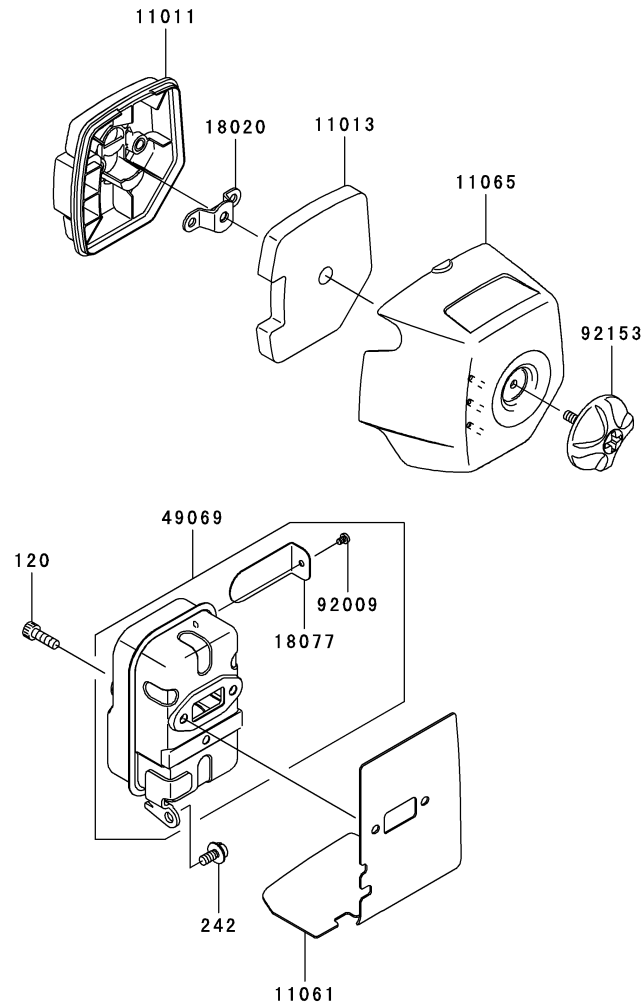
TJ035E- □ L40

06

This fig. covers:

AIR-FILTER/MUFFLER

E0190-B026A

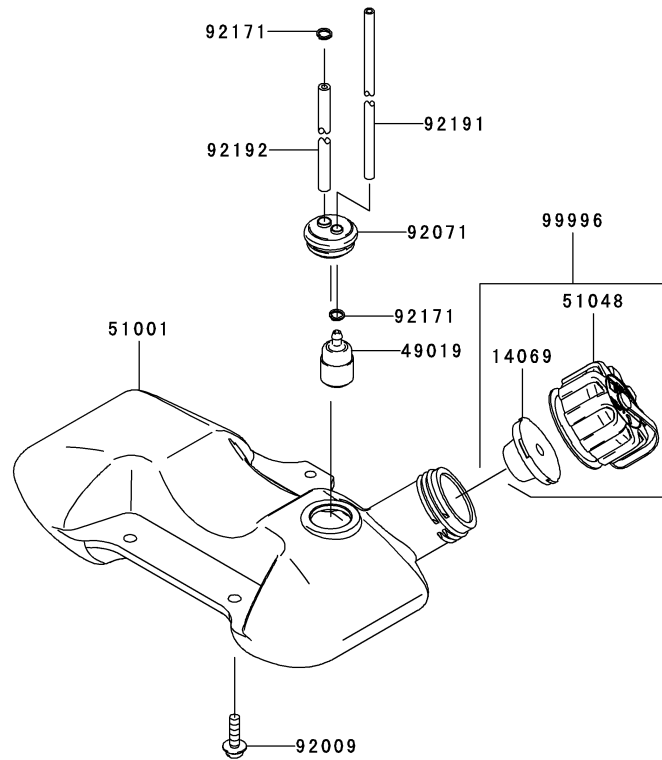


Ref. No.	Part No.	Description	Quantity
11011	11011-2366	CASE-AIR FILTER	1
11013	11013-2229	ELEMENT-AIR FILTER	1
11061	11061-2193	GASKET,MUFFLER	1
11065	11065-2125	CAP	1
18020	18020-2091	BAFFLE	1
18077	18077-2139	ARRESTER-SPARK	1
49069	49069-2435	MUFFLER-ASSY	1
92009	92009-2411	SCREW	1
92153	92153-2128	BOLT	1
120	120CB0516	BOLT-SOCKET,5X16	2
242	242AA0512	SCREW-PAN-WSP+,,5X12	1

This catalog covers:
TJ035E- □ L40

This fig. covers:
07 FUEL-TANK/FUEL-VALVE

E0200-A649A

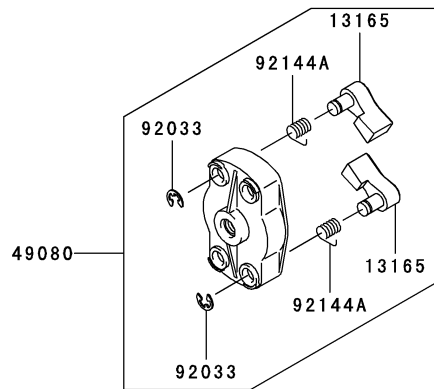
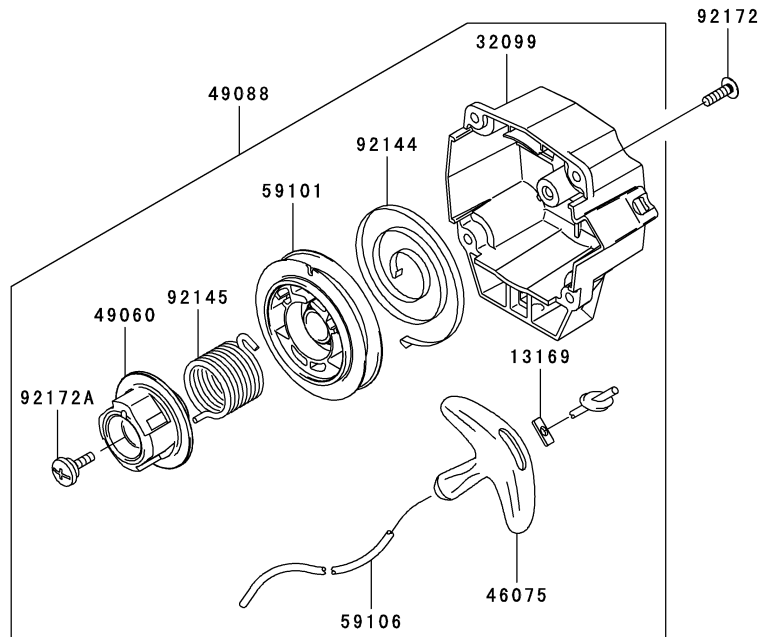


Ref. No.	Part No.	Description	Quantity
14069	14069-2088	BREATHER	1
49019	49019-2114	FILTER-FUEL	1
51001	51001-2336	TANK-COMP-FUEL	1
51048	51048-2083	CAP-ASSY-TANK	1
92009	92009-2383	SCREW,5X20	3
92071	92071-2142	GROMMET,FUEL TANK	1
92171	92171-2073	CLAMP	2
92191	92191-2102	TUBE,3X5X182	1
92192	92192-2117	TUBE,3X6X90	1
99996	99996-6089	CAP-TANK & BREATHER,ASSY	1

This catalog covers:
TJ035E- □ L40

08 This fig. covers:
STARTER

E0210-A424A



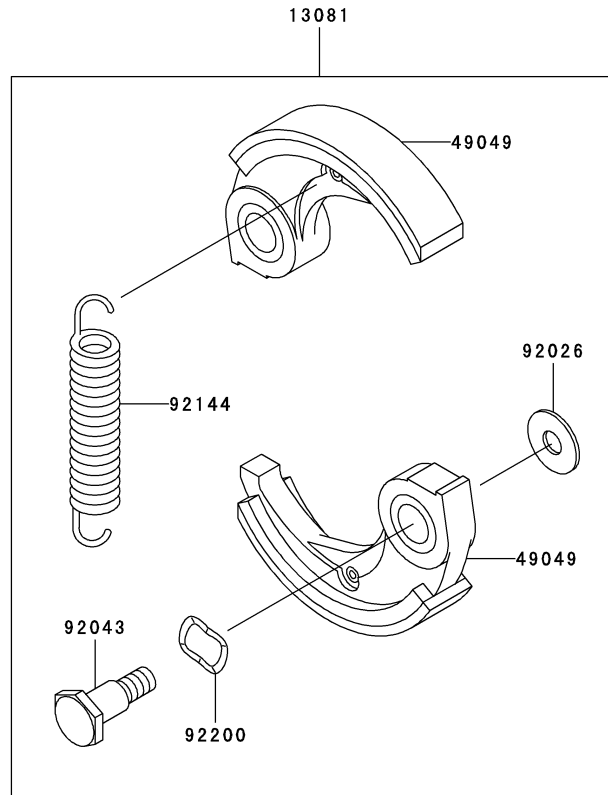
Ref. No.	Part No.	Description	Quantity
13165	13165-2103	PAWL	2
13169	13169-2386	PLATE, RECOIL STARTER	1
32099	32099-2419	CASE, STARTER-RECOIL	1
46075	46075-2161	GRIP, STARTER-RECOIL	1
49060	49060-2062	CAM, STARTER-RECOIL	1
49080	49080-2201	PULLEY-STARTING	1
49088	49088-2566	STARTER-RECOIL	1
59101	59101-2119	REEL, STARTER-RECOIL	1
59106	59106-2072	ROPE, 3.5X850	1
92033	92033-2010	RING-SNAP	2
92144	92144-2054	SPRING	1
92144A	92144-2157	SPRING	2
92145	92145-2149	SPRING	1
92172	92172-2061	SCREW, 4X14	4
92172A	92172-2065	SCREW	1

This catalog covers:
TJ035E- □ L40

09

This fig. covers:
P.T.O-EQUIPMENT

E0220-A008D



Ref. No.	Part No.	Description	Quantity
13081	13081-2220	CLUTCH-ASSY	1
49049	49049-2075	SHOE-CLUTCH	2
92026	92026-2125	WASHER	2
92043	92043-2210	PIN,CLUTCH	2
92144	92144-2390	SPRING	1
92200	92200-2064	WASHER,SPRING,10.5X14.5X0.3	2

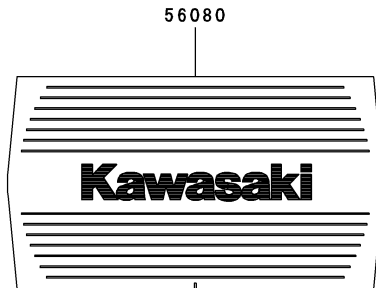
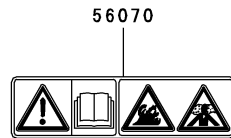
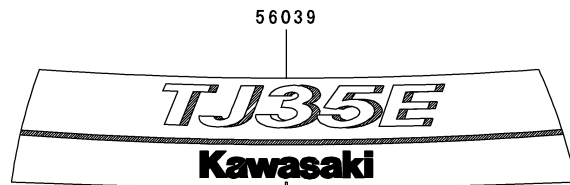
This catalog covers:
TJ035E- □ L40

10

This fig. covers:
LABEL

F0290-B399A

Ref. No.	Part No.	Description	Quantity
56039	56039-2963	LABEL-PRODUCT	1
56070	56070-2020	LABEL-WARNING	1
56080	56080-2428	LABEL-BRAND	1



This catalog covers:

TJ035E- □ L40

This fig. covers:

PART NAME INDEX

AIR-FILTER/MUFFLER.....	06
CARBURETOR.....	05
COOLING-EQUIPMENT.....	03
CYLINDER/CRANKCASE	01
ELECTRIC-EQUIPMENT.....	04
FUEL-TANK/FUEL-VALVE.....	07
LABEL.....	10
P.T.O-EQUIPMENT.....	09
PISTON/CRANKSHAFT.....	02
STARTER.....	08

