

This catalog covers:
TH023D-□L40

This fig. covers:
TITLE

PARTS CATALOG

2-STROKE ENGINE

TH023D

PRODUCT CODE	NOTE
TH023D-CL40	BRUSH-CUTTER (NFP4CD)

This catalog covers:
TH023D-□L40

PARTS CATALOG INTRODUCTION

This parts catalog lists parts and sub-assemblies provided as service parts.

When it becomes necessary to replace parts, always use KAWASAKI GENUINE PARTS which have passed strict inspection which guarantees quality and performance.

1. HOW TO ORDER PARTS

- When ordering the parts, be sure to use the parts catalog corresponding to the product code. Check the product revision codes on the product and the catalog.
 Product Code (example) : FA130D-AA00
└──────────────────┘
 Product Revision Code
- Specify the part code (all digits) exactly as listed in this catalog on your parts order.
- The parts not shown in the illustrations of this catalog are not sold separately; only the complete units or next higher assemblies illustrated are supplied as the service parts.

2. EXPLANATION OF PARTS CATALOG FORMAT

This catalog covers: **TH026D-□A10** (1)

This fig. covers: **01 CYLINDER/CRANKCASE** (2) (5) (7)

Ref. No.	Part No.	Description	Quantity
11005	11005-2137	CYLINDER-ENGINE	1
11060	11060-2402	GASKET,CYLINDER	1
11065	11065-2064	CAP	2
14002	14002-2327	CRANKCASE	1
14002A	14002-2328	CRANKCASE	1
34001	34001-2083	STAND	1
92009	92009-2115	SCREW	3
92043	92043-1502	PIN	2
92045	92045-2006	BEARING-BALL,6000C3	2
92049	92049-2074	SEAL-OIL	2
92150	92150-2091	BOLT	4

1 2 3 4 5 6 7

E0110-A216A

1 JUN.03.1999 E0110-A216A

1) Product Code

This code describes the product code covered by this catalog. The product revision code, which is a part of the product code, is omitted.

2) Part Group Title

This title is the representative name for the group of parts illustrated on the page.

3) Reference Number

The reference numbers are shown on the illustration and the list as the link between them.

This fig. covers:
PARTS LIST INFORMATION

4) Part Number

This is the key of your parts ordering.

Three kinds of part number are used in this catalog.

- Structure 1
 □□□□□□-□□□□-□□
 □□□□□□-□□□□□□
└──────────────────┘
 Part Revision Code
- Structure 2
 □□□□□□-□□□□□□-□□
└──────────────────┘
 Color Code for Painted Part
- Standard Hardware Number
 (for bolts, nuts, washer, or the like)
 □□□□□□□□
└──────────┘ Size Code
└──────────┘ Material and Surface Treatment Code
└──────────┘ Item Code

5) Description and Additional Information

The part name, the location, the size, and the serial number as additional information, etc. are described here. Use them to find out and check the part required.

When a part number is changed without change of the product revision code and the changed parts are not interchangeable, the serial number of the product is noted as follows;

- (- FA130 - 100001) : Affected units are from beginning of the product of the product code up to and including this serial number.
- (FA130 - 100002 -) : Affected units are from this serial number and above.
- (FA130 - 100002 - FA130 - 110001) : Affected units are in this serial number range.

6) Quantity

The figure shows quantity of the part required at the indicated position on the illustration and for the specified product revision code.

The asterisk (*) on this column means the part can be used as the substitute on the product and is supplied until the stock is exhausted.

Note:Some small parts will be supplied by units.

Example: If six (6) bolts are ordered and the minimum quantity per unit is five (5), two (2), units of the bolt will be delivered.

7) Product Revision Code

This Code indicates an important change which affects the service parts interchangeability.

3. ABBREVIATIONS

#.....Number	FR.....Front	RH.....Right Hand
&.....And	G.....Gram	RPM.....Revolutions Per Minute
(+).....Plus	HEX.....Hexagonal	RR.....Rear
(-).....Minus	ID=.....Inside Diameter	STD.....Standard
2ND.....Second	IN.....Inch	T.....Teeth
3RD.....Third	L=.....Length	T=.....Thickness
4TH.....Fourth	LH.....Left Hand	U/S.....Under Size
A.....Ampere	LWR.....Lower	UPP.....Upper
AR.....As Required	MM.....Millimeter	V.....Volt
ASSY.....Assembly	O/S.....Over Size	W.....Watt
CNT.....Center	OD=.....Outside Diameter	
COMP.....Complete	REF.....Reference	

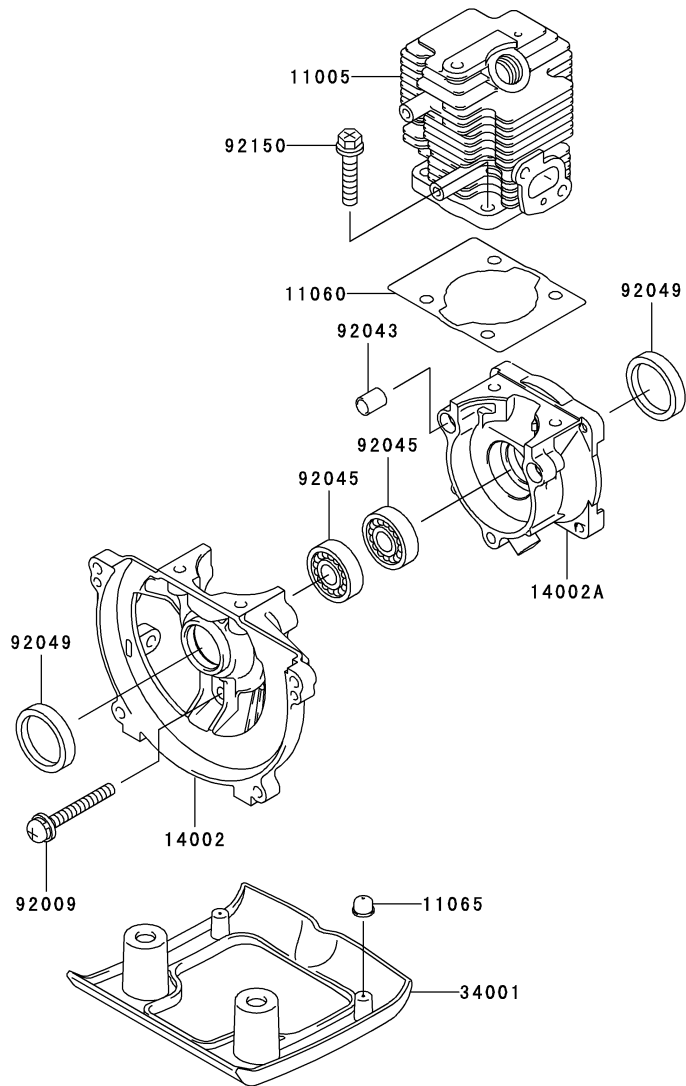
This catalog covers:

TH023D- □ L40

This fig. covers:

01 CYLINDER/CRANKCASE

E0110-A483A



Ref. No.	Part No.	Description	Quantity
11005	11005-2138	CYLINDER-ENGINE	1
11060	11060-2402	GASKET,CYLINDER	1
11065	11065-2064	CAP	2
14002	14002-2340	CRANKCASE	1
14002A	14002-2345	CRANKCASE	1
34001	34001-2083	STAND	1
92009	92009-2115	SCREW	3
92043	92043-1302	PIN	2
92045	92045-2006	BEARING-BALL,6000C3	2
92049	92049-2074	SEAL-OIL	2
92150	92150-2091	BOLT	4

This catalog covers:

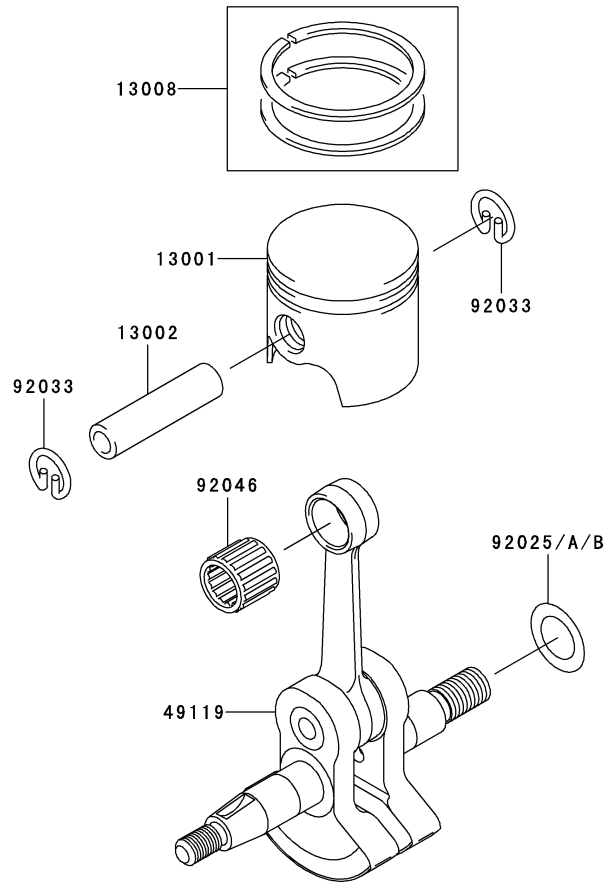
TH023D- □ L40

02

This fig. covers:

PISTON/CRANKSHAFT

E0120-A131A



Ref. No.	Part No.	Description	C	Quantity
13001	13001-2145	PISTON-ENGINE		1
13002	13002-2058	PIN-PISTON		1
13008	13008-6050	RING-SET-PISTON		1
49119	49119-2188	CRANKSHAFT-ASSY		1
92025	92025-2125	SHIM,T=0.20	AR	
92025A	92025-2126	SHIM,T=0.40	AR	
92025B	92025-2127	SHIM,T=0.60	AR	
92033	92033-2191	RING-SNAP		2
92046	13033-2003	BEARING-NEEDLE		1

This catalog covers:

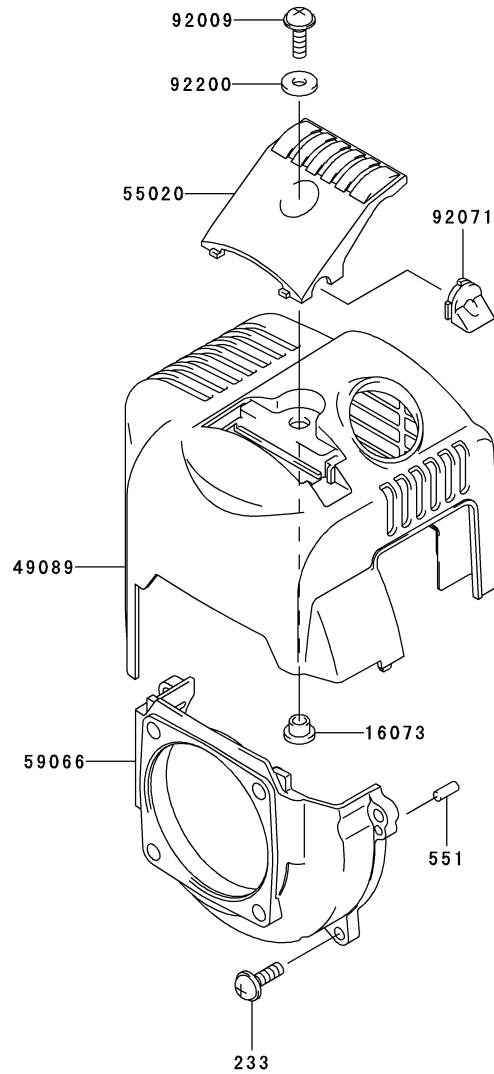
TH023D- □ L40

03

This fig. covers:

COOLING-EQUIPMENT

E0150-A275A



Ref. No.	Part No.	Description	C	Quantity
16073	16073-2197	INSULATOR		1
49089	49089-2481	SHROUD-ENGINE		1
55020	55020-2125	GUARD		1
59066	59066-2751-9B	HOUSING-FAN		1
92009	92009-2394	SCREW,5X16		1
92071	92071-2156	GROMMET		1
92200	92200-2156	WASHER		1
233	233B0516	SCREW-PAN-WP+-		4
551	551A0410	PIN-DOWEL		2

This catalog covers:

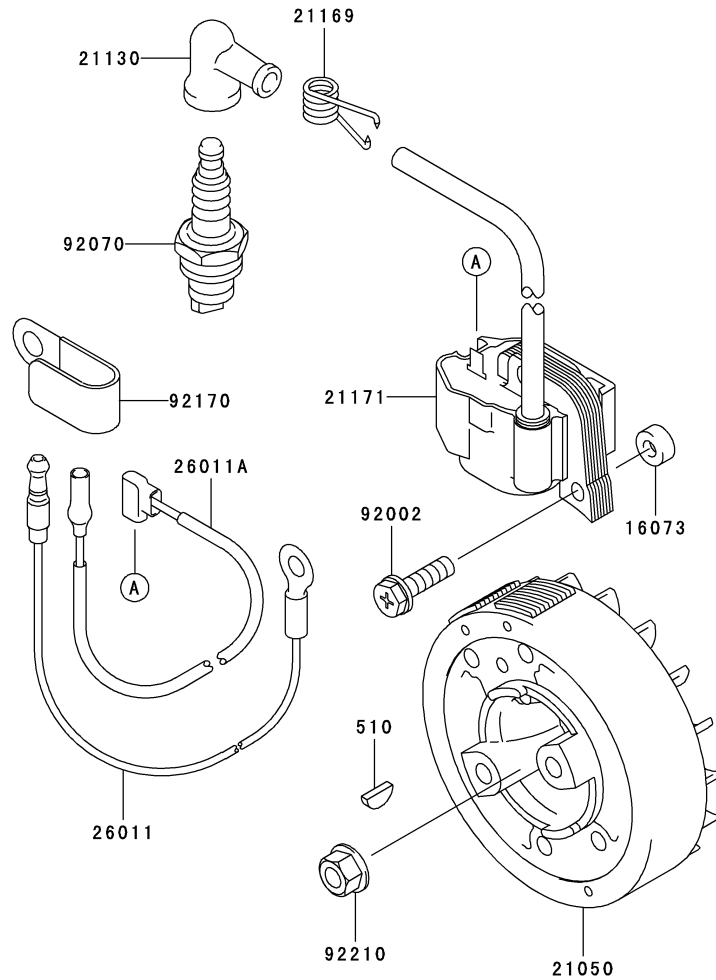
TH023D- □ L40

04

This fig. covers:

ELECTRIC-EQUIPMENT

E0160-A519B

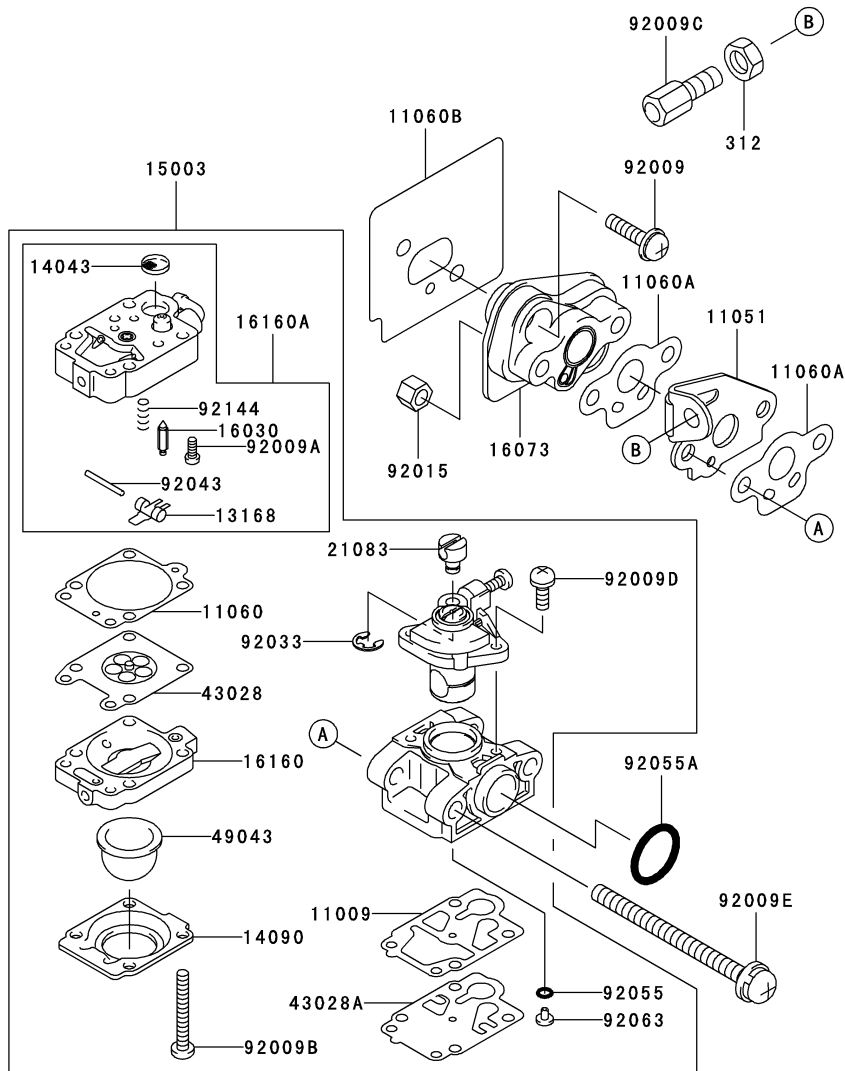


Ref. No.	Part No.	Description	Quantity
16073	16073-2198	INSULATOR	2
21050	21050-2303	FLYWHEEL	1
21130	21130-2056	CAP-SPARK PLUG	1
21169	21169-2051	TERMINAL	1
21171	21171-2233	COIL-ASSY-IGNITION	1
26011	26011-2113	WIRE-LEAD	1
26011A	26011-2376	WIRE-LEAD,L=230	1
92002	92002-2197	BOLT,4X20	2
92070	92070-2108	PLUG-SPARK,BPMR6A(NGK),SOLID	1
92170	92170-2041	CLAMP	1
92210	92210-2062	NUT	1
510	510A3100	KEY-WOODRUFF	1

This catalog covers:
TH023D- □ L40

This fig. covers:
05 CARBURETOR

E0180-A620A



Ref. No.	Part No.	Description	Quantity
11009	11009-2757	GASKET	1
11051	11051-2112	BRACKET	1
11060	11060-2111	GASKET	1
11060A	11060-2181	GASKET,CARBURETOR	2
11060B	11060-2403	GASKET,INSULATOR	1
13168	16055-2051	LEVER	1
14043	14043-2051	FILTER	1
14090	14090-2017	COVER,PRIMER PUMP	1
15003	15003-2663	CARBURETOR-ASSY	1
16030	16030-2078	VALVE-FLOAT	1
16073	16073-2231	INSULATOR	1
16160	16160-2089	BODY	1
16160A	16160-2103	BODY	1
21083	21083-2073	ARM	1
43028	43028-2054	DIAPHRAGM	1
43028A	43028-2067	DIAPHRAGM	1
49043	49043-2067	PUMP-PRIMING	1
92009	92009-2249	SCREW,5X20	2
92009A	92009-2336	SCREW	1
92009B	92009-2337	SCREW	4
92009C	92009-2354	SCREW	1
92009D	92009-2373	SCREW	2
92009E	92009-2397	SCREW,5X65	2
92015	92015-2097	NUT,M5	2
92033	92033-2078	RING-SNAP	1
92043	92043-2094	PIN	1
92055	92055-2147	RING-O	1
92055A	92055-2184	RING-O,14.8X2.4	1
92063	92063-2355	JET-MAIN,#34	1
92144	92144-2308	SPRING	1
312	312B0600	NUT-HEX	1

This catalog covers:

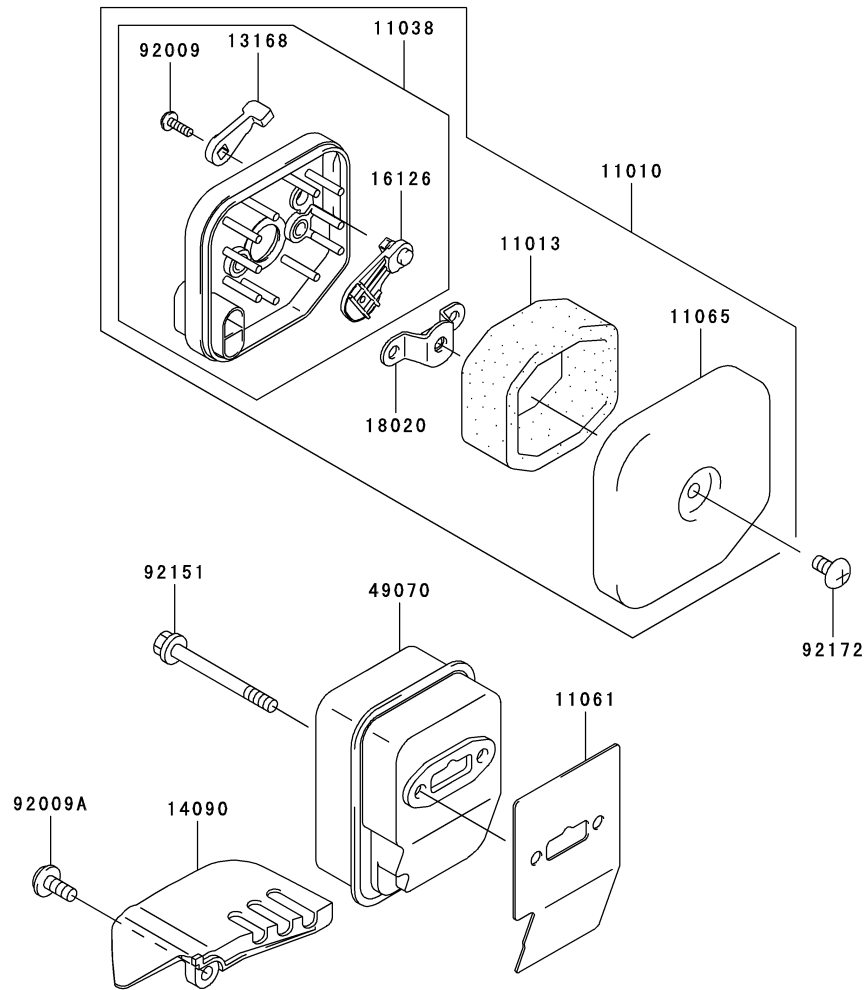
TH023D- □ L40

06

This fig. covers:

AIR-FILTER/MUFFLER

E0190-A570C



Ref. No.	Part No.	Description	Quantity
11010	11010-2563	FILTER-ASSY-AIR	1
11013	11013-2182	ELEMENT-AIR FILTER	1
11038	11038-2083	CASE-ASSY-AIR FILTER	1
11061	11061-2076	GASKET	1
11065	11065-2052	CAP,AIR FILTER	1
13168	13168-2422	LEVER	1
14090	14090-2118	COVER	1
16126	16126-2211	VALVE	1
18020	18020-2082	BAFFLE	1
49070	49070-2721	MUFFLER-COMP	1
92009	92009-2359	SCREW,3X10	1
92009A	92009-2393	SCREW,5X12	1
92151	92151-2073	BOLT,5X50	2
92172	92172-0007	SCREW,5X10	1

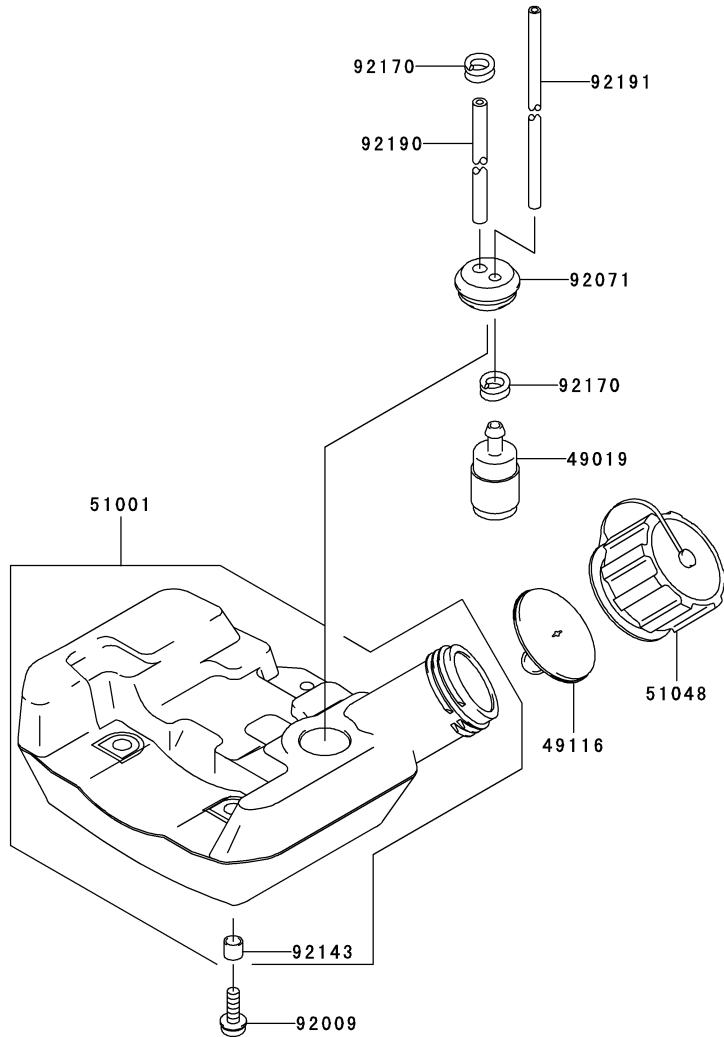
This catalog covers:

TH023D- □ L40

This fig. covers:

07 FUEL-TANK/FUEL-VALVE

E0200-A373A



Ref. No.	Part No.	Description	C	Quantity
49019	49019-2111	FILTER-FUEL		1
49116	49116-2064	VALVE-ASSY		1
51001	51001-2316	TANK-COMP-FUEL		1
51048	51048-2078	CAP-ASSY-TANK		1
92009	92009-2368	SCREW,5X16		3
92071	92071-2142	GROMMET,FUEL TANK		1
92143	92143-2161	COLLAR,TANK		2
92170	92170-2080	CLAMP,FUEL FILTER		2
92190	92190-2174	TUBE,3X6X90		1
92191	92191-2102	TUBE,3X5X182		1

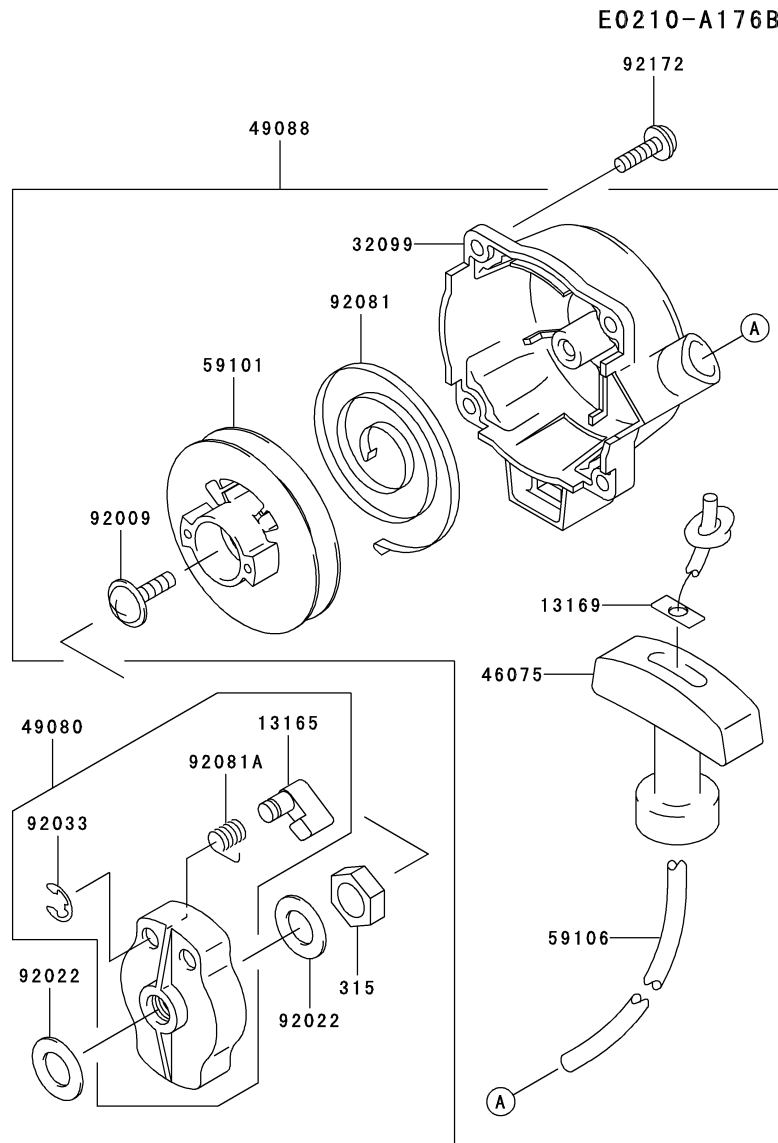
This catalog covers:

TH023D- □ L40

08

This fig. covers:

STARTER



Ref. No.	Part No.	Description	Quantity
13165	13165-2052	PAWL	1
13169	13169-2386	PLATE,RECOIL STARTER	1
32099	32099-2393	CASE,RECOIL STARTER	1
46075	46075-2116	GRIP,RECOIL STARTER	1
49080	49080-2182	PULLEY-STARTING	1
49088	49088-2532	STARTER-RECOIL	1
59101	59101-2106	REEL,RECOIL STARTER	1
59106	59106-2147	ROPE,3.5X800	1
92009	92009-2358	SCREW	1
92022	92022-2138	WASHER,8X16X1.2	2
92033	92033-2010	RING-SNAP	1
92081	92081-2238	SPRING,RECOIL	1
92081A	92081-2253	SPRING	1
92172	92172-2061	SCREW,4X14	4
315	315B0800	NUT-HEX-FINE	1

This catalog covers:

TH023D- □ L40

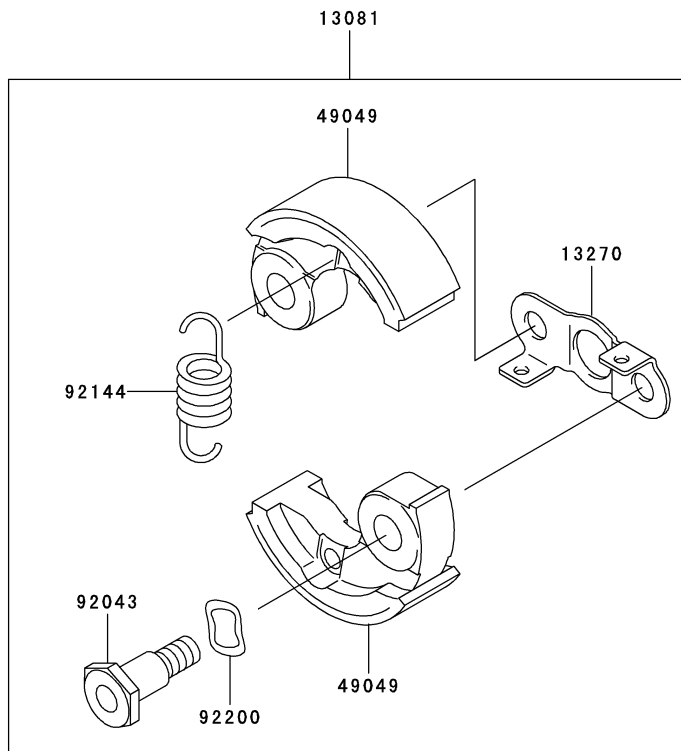
09

This fig. covers:

P.T.O-EQUIPMENT

E0220-A027A

Ref. No.	Part No.	Description	Quantity
13081	13081-2225	CLUTCH-ASSY	1
13270	13270-2048	PLATE	1
49049	49049-2096	SHOE-CLUTCH	2
92043	92043-2182	PIN	2
92144	92144-2086	SPRING,CLUTCH	1
92200	92200-2065	WASHER	2



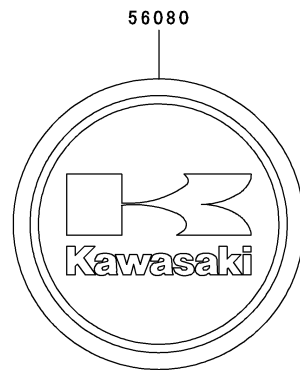
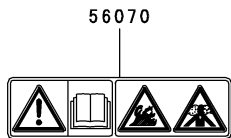
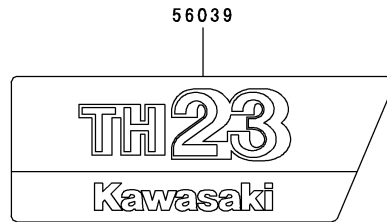
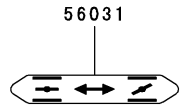
This catalog covers:
TH023D- □ L40

10

This fig. covers:
LABEL

F0290-A627A

Ref. No.	Part No.	Description	Quantity
56031	56031-2468	LABEL-MANUAL	1
56039	56039-2876	LABEL-PRODUCT	1
56070	56070-2020	LABEL-WARNING	1
56080	56080-2088	LABEL-BRAND	1



This catalog covers:

TH023D- L40

This fig. covers:

PART NAME INDEX

AIR-FILTER/MUFFLER.....	06
CARBURETOR.....	05
COOLING-EQUIPMENT.....	03
CYLINDER/CRANKCASE	01
ELECTRIC-EQUIPMENT.....	04
FUEL-TANK/FUEL-VALVE.....	07
LABEL.....	10
P.T.O-EQUIPMENT.....	09
PISTON/CRANKSHAFT.....	02
STARTER.....	08

This catalog covers:

TH023D- L40

This fig. covers:

NUMERICAL PARTS INDEX

Part No.	Fig No.	Part No.	Fig No.	Part No.	Fig No.	Part No.	Fig No.	Part No.	Fig No.
11005-2138	01	49119-2188	02	92210-2062	04				
11009-2757	05	51001-2316	07						
11010-2563	06	51048-2078	07						
11013-2182	06	510A3100	04						
11038-2083	06	55020-2125	03						
11051-2112	05	551A0410	03						
11060-2111	05	56031-2468	10						
11060-2181	05	56039-2876	10						
11060-2402	01	56070-2020	10						
11060-2403	05	56080-2088	10						
11061-2076	06	59066-2751-9B	03						
11065-2052	06	59101-2106	08						
11065-2064	01	59106-2147	08						
13001-2145	02	92002-2197	04						
13002-2058	02	92009-2115	01						
13008-6050	02	92009-2249	05						
13033-2003	02	92009-2336	05						
13081-2225	09	92009-2337	05						
13165-2052	08	92009-2354	05						
13168-2422	06	92009-2358	08						
13169-2386	08	92009-2359	06						
13270-2048	09	92009-2368	07						
14002-2340	01	92009-2373	05						
14002-2345	01	92009-2393	06						
14043-2051	05	92009-2394	03						
14090-2017	05	92009-2397	05						
14090-2118	06	92015-2097	05						
15003-2663	05	92022-2138	08						
16030-2078	05	92025-2125	02						
16055-2051	05	92025-2126	02						
16073-2197	03	92025-2127	02						
16073-2198	04	92033-2010	08						
16073-2231	05	92033-2078	05						
16126-2211	06	92033-2191	02						
16160-2089	05	92043-1302	01						
16160-2103	05	92043-2094	05						
18020-2082	06	92043-2182	09						
21050-2303	04	92045-2006	01						
21083-2073	05	92049-2074	01						
21130-2056	04	92055-2147	05						
21169-2051	04	92055-2184	05						
21171-2233	04	92063-2355	05						
233B0516	03	92070-2108	04						
26011-2113	04	92071-2142	07						
26011-2376	04	92071-2156	03						
312B0600	05	92081-2238	08						
315B0800	08	92081-2253	08						
32099-2393	08	92143-2161	07						
34001-2083	01	92144-2086	09						
43028-2054	05	92144-2308	05						
43028-2067	05	92150-2091	01						
46075-2116	08	92151-2073	06						
49019-2111	07	92170-2041	04						
49043-2067	05	92170-2080	07						
49049-2096	09	92172-0007	06						
49070-2721	06	92172-2061	08						
49080-2182	08	92190-2174	07						
49088-2532	08	92191-2102	07						
49089-2481	03	92200-2065	09						
49116-2064	07	92200-2156	03						