

Masport®

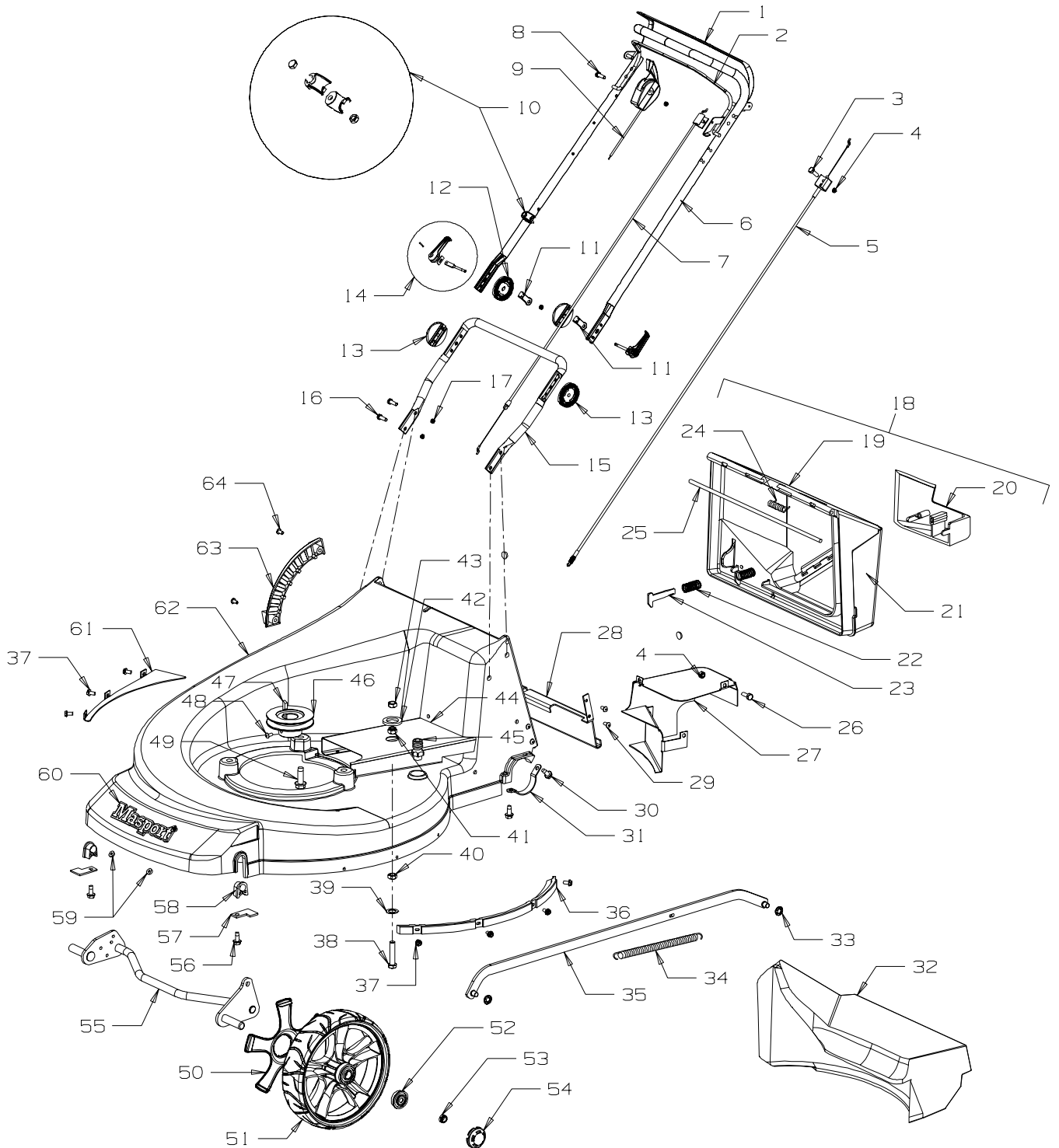
EUROPEAN C E ROTARY MOWERS

SERIES-20, Combo SP - OPC



Part Number	583767	Maxicut - Combo SP	Quantum XTE 55i
	479912	Maxicut - Combo SP	B & S LSE 60
	579912	Maxicut - Combo SP	B & S LSE 60
	479929	Maxicut - Combo SP-H	Honda GXV160
	579929	Maxicut - Combo SP-H	Honda GXV160







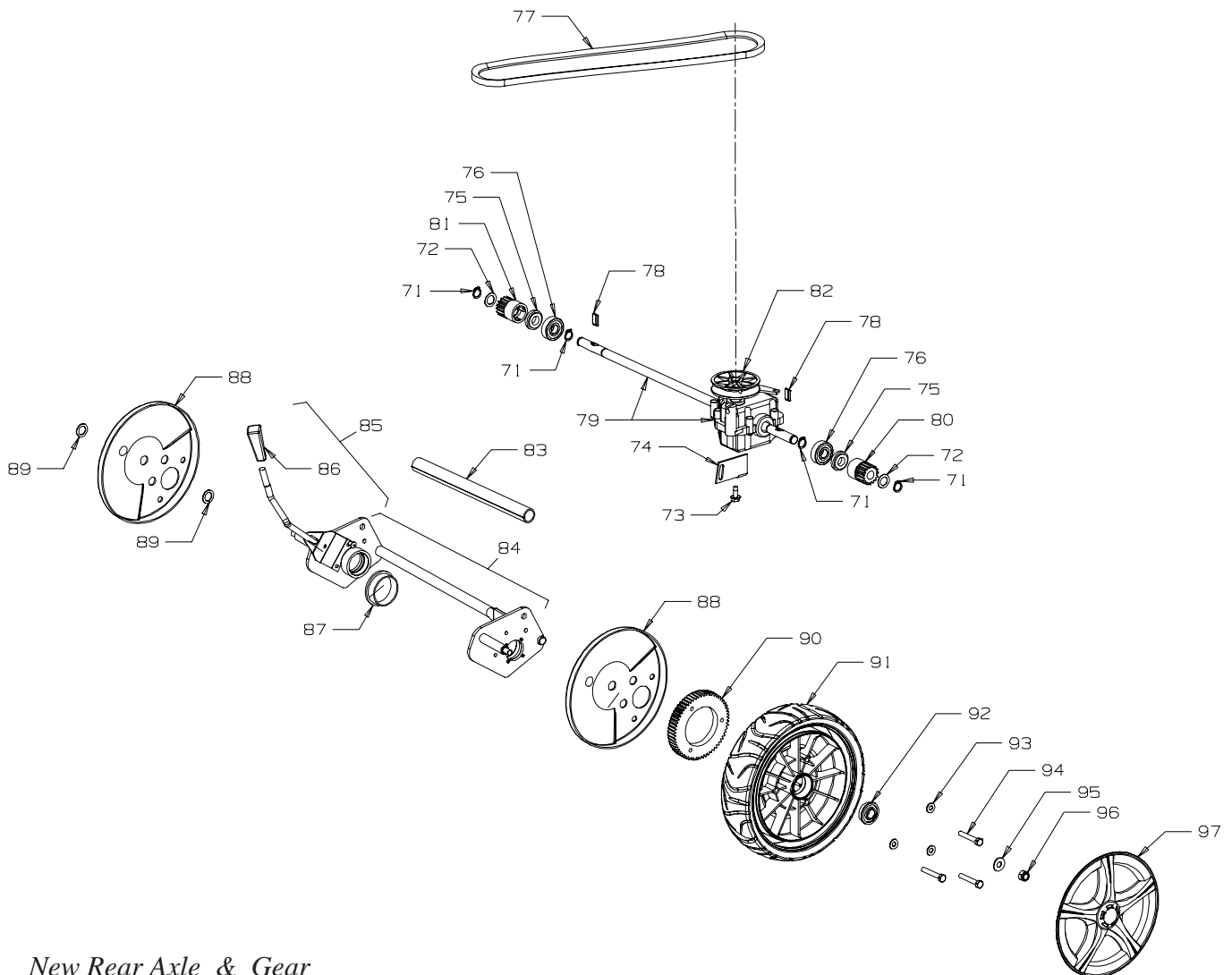
Maxicut SP Combo :: Powered by: Briggs & Stratton
 Maxicut SP-H Combo :: Powered by: Honda GCV 160

Masport

MAXICUT SERIES

Item No	Part No	Description	Qty	Item No	Part No	Description	Qty
1	982161	Bail Arm Assy, SP Drive	1	40	501602	Nut, M8 Hex	1
2	981740	Bail Arm Assy, OPC, FlatD	1	41	501793	Nut, Nyloc M8	1
3	503455	Screw, Pan M6 x 40	1	42	572199	Washer, Flat 8 x 32 x 2	1
4	501764	Nut, Nyloc M6 Hex	6	43	503526	Nut-Dome, M8	1
5	582235	Cable-Clutch, Thumbwheel	1	44	979271	Cover Assy-Belt - Titanium	1
6*	781664	Handle-Upper, Upturned (Adj) OPC	1	45	503783	Cyclowash-Fitting	1
6-H	979077	Handle-Upper, Upturned (Adj-H) OPC	1	46	582373	Pulley-Engine - 25mm	1
7*	583395	Cable-Engine, OPC, Push On -- B & S Engine	1	47*	503363	Key-Woodruff - 5/8" x 3/16" x 1/4"	1
7-H	573169	Cable-Engine, OPC, Push On- Honda -- Honda Engine	1	47-H	500636	Key-Woodruff - 5/8" x 5/32" x 1/4"	1
8	503604	Screw, Pan M6 x 45	1	48	503386	Screw, Grub M8 x 8	1
9*	583458	Control-Throttle, Wescon -- B & S Engine	1	49*	580453	Screw, S/T 3/8" x 1 1/8" (B&S)	3
9-H	583460	Control-Throttle, -Ve, L/H, CH"T" -- Honda Engine	1	49-H	501345	Screw; Set NF 5/16" x 1.25 Hex HT -- Honda Engine	2
10	703856	Comfort Start Assembly	1	49-H	501603	Screw; Set M8 x 50 Hex HT -- Honda Engine	1
11	581527	Retainer-Clutch Cable, Handle	1	50	579205	Cover, Inner Wheel	2
12	581660	Disc-Locking, Outer	2	51	579203	Wheel Assy, 220mm, Mag-Silver	2
13	581659	Disc-Locking, Inner	2	52	551212	• Bearing-Wheel (2 Per Wheel)	4
14	980456	Cam Lock Assy	2	53	503831	Nut, M8 Hex Nyloc x 6thkZP	4
15	981712	Handle-Lower, "U" (Adjustable)	1	54	579204	Hub Cap, Button. Silver	1
16	501597	Screw, Set M8 x 20	4	55	583281	Axle Assy-Front,	7
17	501793	Nut, Nyloc M8	9	56	501599	Screw, S/T 1/4" x 5/8"	2
18	981649	Smartchute-Plastic - Black	1	57	980564	Plate-Retainer, Axle Front	2
19	581645	• Flap-Mower	1	58	580030	Bush-Pivot, Front Axle	2
20	581647	• Handle-Flap	1	59	503150	Clip-Starlock, 5 Dia	2
21	581646	• Flap-Door	1	60	581240	Nameplate	1
22	581106	• Spring-Latch, Flap	1	61	982549	Deflector-Air, RH - Steel	1
23	981650	• Latch-Flap, Barbed	1	62	779503	Housing - SP - Wash - Titanium	1
24	581528	• Spring-Flap	1	(28)	982441	• Brace-Rear	1
25	581743	• Wire Rod - 6mm x 352mm Flap	1	(29)	503423	• Rivet-Pop 4.8 Dia x 6.4	4
26	503223	Screw, Set M6 x 16	3	63	580025	Quadrant-Height Selector	1
27	782216	Cover Assy-Gearbox	1	64	503660	Rivet-Pop 4.8 Dia x 9.0	2
28	982441	Brace-Rear	1	NOT ILLUSTRATED			
29	503423	Rivet-Pop 4.8 Dia x 6.4	4	583154	Owners Manual	1	
30	501599	Screw, S/T 1/4" x 5/8"	7	580778	Stop-Rope - Zone Start	1	
31	980586	Retainer-Axle, Rear	2	007939	Bumpon - Flap, 3mm	2	
32	582225	Insert-Mulching	1	503808	Plug-Plastic, Handle, 4.8mm	1	
33	501365	Clip-Starlock, 5/16"	2	503460	Plug-Plastic, Handle, 6.3mm	1	
34	580621	Spring-Counter Balance	1	HONDA Assembly part NOT displayed			
35	980143	Rod Assy-Connecting	1	983448	Spacer-Base, Eng GXV1603	3	
36	581524	Deflector-Air, LH - Plastic	1				
37	503630	Screw, S/T 10 x .4	7				
38	501843	Screw, Set, M8 x 40	1				
39	503747	Washer, Spring 8mm	1				

-H = Variation for Honda Powered Models
 Bold Text = Assemblies
 Bulleted Text = Items included in Assemblies



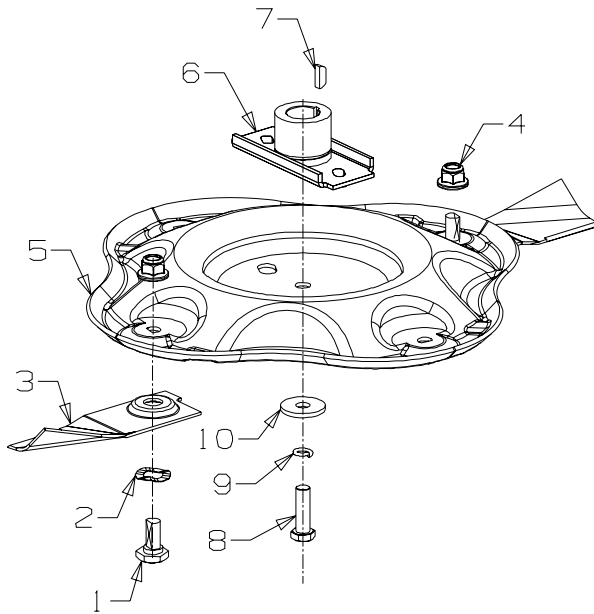
New Rear Axle & Gear

Item No	Part No	Description	Qty	Item No	Part No	Description	Qty
71	503759	Circlip, 12mm Ext	4	85	980229	Lever Assy-Height	1
72	503102	Washer, Flat 12 x 20 x .4	2	86	580056	• Grip-7.9 Dia	1
73	501863	Screw, Set M8 x 12 Hex ZP	1	87	580091	Bush-Pivot, Rear Axle	2
74	982169	Mount-Gearbox	1	88	579426	Cover-Dust, LH & RH, Plastic	1
75	581093	Cap-Pinion, SP - Plastic	2	89	503301	Washer, Flat 1/2 x 3/4 x 18G ZP	2
76	501213	Bearing, Ball 12 x 32 x 10	2	90	579428	Gear-Driving, Narrow	2
77	582028	Belt-V, Roflex	1	91	579070	Wheel Assy-220mm Mag-SP	2
78	581092	Pawl-Pinion	2	92	551212	• Bearing-Wheel (2 Per Wheel)	
79	782170	Gearbox-Single Speed, & Drive Axle	1	93	501703	Washer, Flat 6 x 14 x 1.2	6
80	581090	Pinion-LH	1	94	501815	Screw, Set M6 x 35	6
81	581091	Pinion-RH	1	95	501606	Washer-Flat 8 x 19 x 1.6	2
82	783249	Pulley, Gearbox	1	96	503831	Nut, M8 Hex Nyloc x 6thkZP	4
83	580614	Sleeve-Rear Axle	1	97	579207	Hub cap, Rear Wheel - Silver	2
84	579429	Axle Assy-Rear Drive	1				

Bold Text = Assemblies
Bulleted Text = Items included in Assemblies



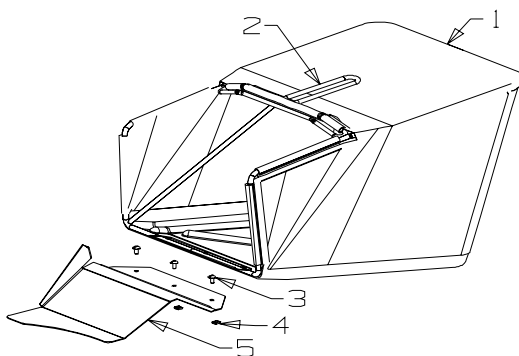
Twin - Contoured Blade Assembly 51.5 cm



Item No	Part No	Description	Qty
1	581707	• Bolt-Blade, M10 x 22	2
2	580693	• Washer, Wavy 13.4x 24.2x .51	2
3	582379	• Blade-Swing Back - 515mm	2
4	503672	• Nut, Flange Nyloc M10	2
5	583314	Disc-Blade, Contoured	1
6*	531640	Driver-Blade - 25mm Shaft	1
6-H	514173	{Driver-Blade - 22mm Shaft	1
6-H	583542	{Spacer-Driver, 22 x 6 (Not shown)	1
7*	503363	Key, Woodruff 5/8"x 3/16"x 1/4"	1
7-H	500636	Key, Woodruff 5/8"x 5/32"x 1/4"	1
8*	581610	Screw, Set NF 3/8" x 1.25	1
8-H	503543	Bolt ; Hex NF 3/8" x 1.5 NYG8	1
9	500204	Washer, Spring 3/8"	1
10	503855	Washer 9.75 x 30 x 4	1

782379 Blades-Quick Cut,(x2) Display (incl. items 1-4)
 783690 Bolt Set(Blister Display) (incl. items 1&2)

Fabric Catcher Assembly - 782433



Item No	Part No	Description	Qty
1	979044	Bag Assm, Catcher	1
2	582433	Frame Assm, Catcher	1
3	503591	Screw, Pan M6 x 12	1
4	502098	Nut, M6	1
5	582436	Lip-Catcher, SP	1

HEAD OFFICE - NEW ZEALAND

P.O. Box 14-349

Panmure, Auckland 1741,

New Zealand

Phone: (64 9) 571 1200

Fax: (64 9) 571 5864

Website : www.masport.com

Email : sales@masport.co.nz