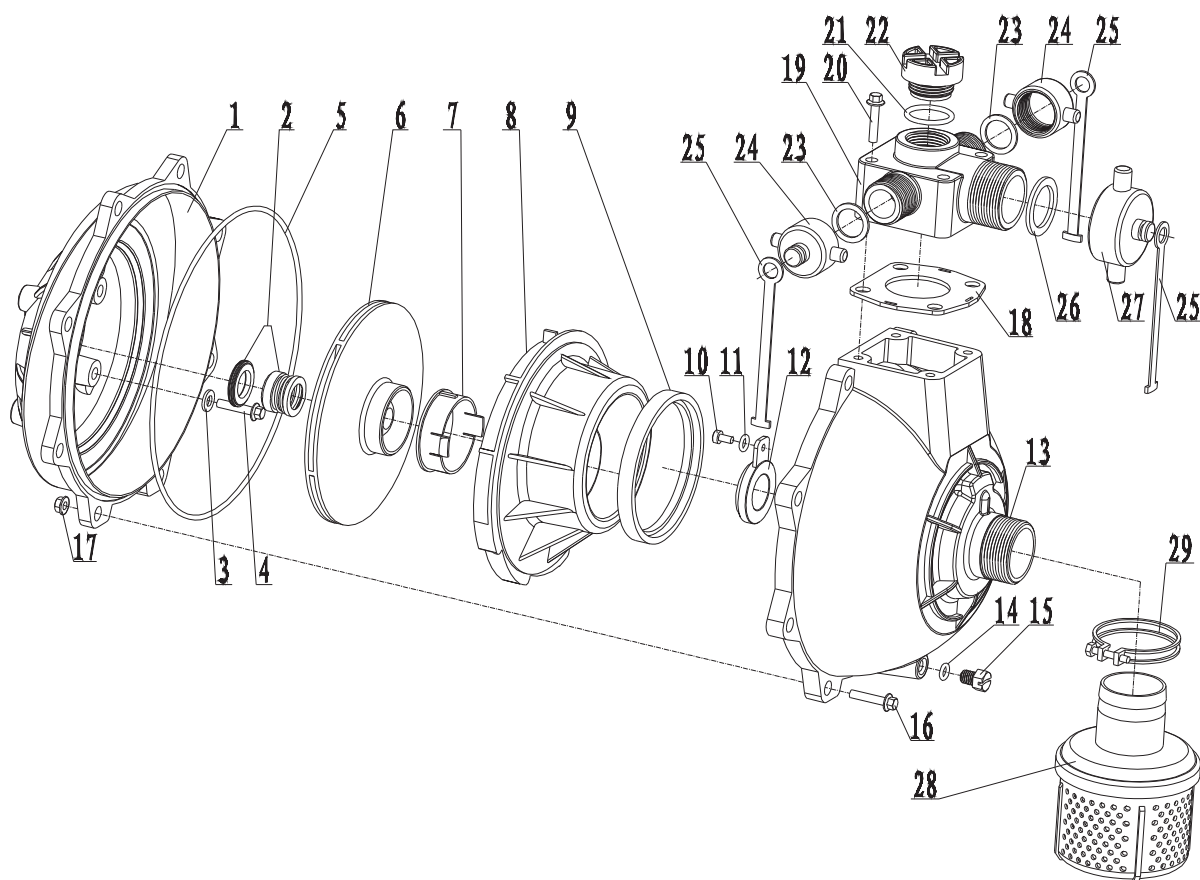


KM0403155HD PUMP PART PUMP SKETCH MAP



| ITEM | 名称 | Name | PCS |
|------|---------|------------------------------|-----|
| 1 | 泵盖 | Pump cover | 1 |
| 2 | 机械密封 | Mechanical seal | 1 |
| 3 | 密封垫圈 | sealed washer | 4 |
| 4 | 六角法兰面螺栓 | Hexangular bolt | 4 |
| 5 | O形密封圈 | O- ring | 1 |
| 6 | 叶轮 | Impeller | 1 |
| 7 | 导叶密封衬套 | Diffuser's sealed bush | 1 |
| 8 | 导叶 | Diffuser | 1 |
| 9 | 导叶密封衬垫 | Diffuser's sealed interlever | 1 |
| 10 | 十字盘头螺钉 | Bolt | 1 |
| 11 | 平垫圈 | Washer | 1 |
| 12 | 止回阀片 | Check valve | 1 |
| 13 | 泵体 | Pump body | 1 |
| 14 | O形密封圈 | O-ring | 1 |

| ITEM | 名称 | Name | PCS |
|------|-----------|----------------------------|-----|
| 15 | 六角铜堵塞 | Hexangular cuprum Plug | 1 |
| 16 | 六角法兰面螺栓 | Hexangular bolt | 8 |
| 17 | 六角法兰面螺母 | Hexangular Nut | 8 |
| 18 | 出水密封衬垫 | Outlet's sealed interlever | 1 |
| 19 | 出水 | Outlet flange | 1 |
| 20 | 六角螺栓 | Hexangular bolt | 4 |
| 21 | O形密封圈 | O-ring | 1 |
| 22 | 塑料堵塞 | Plastic Plug | 1 |
| 23 | 1" 密封垫圈 | 1" sealed washer | 2 |
| 24 | 1" 板手 | 1" spanner | 2 |
| 25 | 出水连接条 | Outlet conjunctive strip | 3 |
| 26 | 1.5" 密封垫圈 | 1.5" sealed washer | 1 |
| 27 | 1.5" 板手 | 1.5" spanner | 1 |
| 28 | 网篮 | strainer | 1 |