

PARTS CATALOG

MITSUBISHI MEIKI
AIR-COOLED
GASOLINE ENGINE

MODEL GT241PC-RTP

NOV., 2008

MITSUBISHI HEAVY INDUSTRIES, LTD.

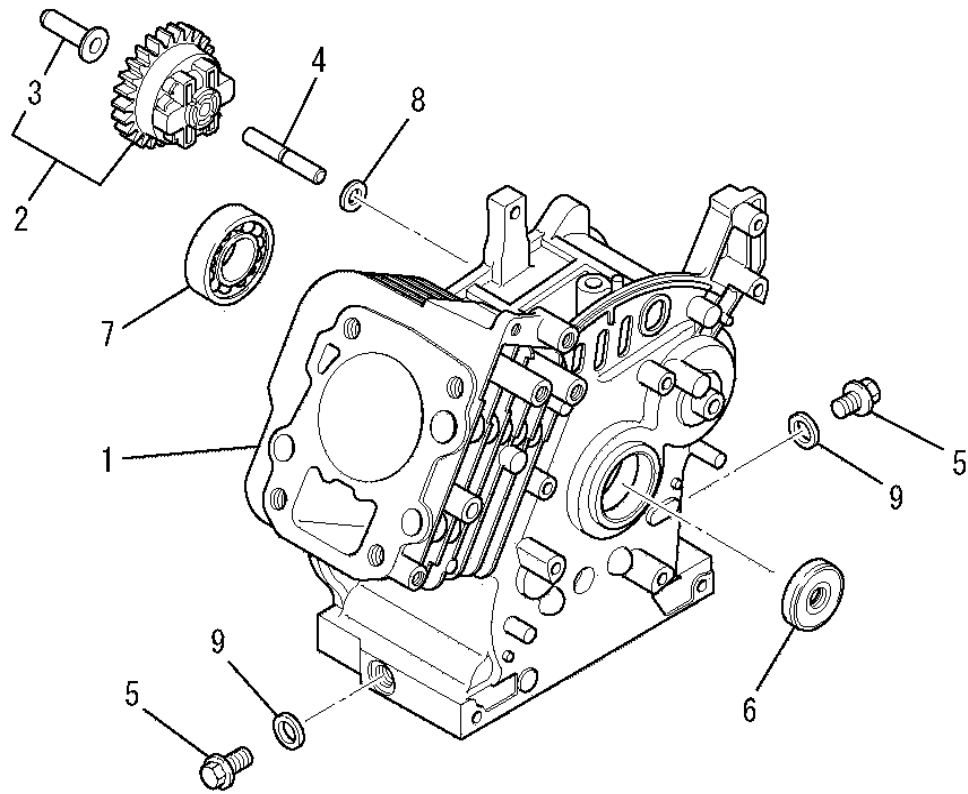
INDEX

Page No.	No.	Parts No.	Page No.	No.	Parts No.
1	1	LB41005AB	6	6	LV01200AA
1	2	LG01003BA	7	1	LD03029AA
1	3	LG14004AA	7	1	LD03029BA
1	4	LG22022AA	7	1	LD03029CA
1	5	LL22003AA	7	2	LB800B06030
1	6	LW22002AA	7	3	LP15007AA
1	7	LS111X62X030	7	3	LP15007BA
1	8	LW200H06	7	3	LP15007CA
1	9	LW39070AA	7	4	LP55003AA
2	1	LC02055AA	7	5	LP02020AA
2	2	LV24011AA	7	5	LP02020BA
2	3	LV32004AA	7	5	LP02020CA
2	4	LV43008AA	7	6	LP90002AA
2	5	LV54002AA	8	1	LE12036AA
2	6	LV64004AA	8	2	LE24019AA
2	7	LV71009AA	8	3	LE90200AA
2	8	LV02004AA	8	4	LU70007AA
2	9	LV74006AA	8	5	LB800A06020
2	10	LV72014AA	8	6	LN030A12
2	11	LV72015AA	9	1	LA11021AA
2	12	LU23013AA	9	2	LA20070AA
3	13	LV73005AA	9	3	LA30024BA
3	14	LV75009BA	9	4	LA40072AA
3	15	LFR34111	9	5	LL41005AA
3	16	LV90013AA	9	6	LB151B06075
3	17	LW21023AA	9	7	LA90124BA
3	18	LB800A06016	9	8	LN801A06
3	19	LB800B08055	9	9	LW34058AA
3	20	LU44001AA	10	1	LK11014EB
3	21	LC65002AA	10	2	LK31027AA
4	1	LC09013AA	10	3	LW34058AA
4	2	LB800A06012	11	1	LG03055AA
4	3	LW33006AA	11	2	LG09011BA
5	1	LB61007AA	11	3	LG22017AA001
5	2	LL21016BA	11	4	LS500P07
5	3	LW23003AA	11	5	LG31028AA
5	4	LW11011AA	11	6	LG41020AA
5	5	LW22002AA	11	7	LG42021AA
5	6	LB800B06025	11	8	LG90014AA
5	7	LU44001AA	11	9	LG90023AA
5	8	LW31013AA	11	10	LH40056AB
6	1	LD02062AA	11	11	LU70006AA
6	2	LD63047AA	11	12	LB800A06012
6	3	LW430B05X016	12	13	LB800A06008K
6	4	LD62019AA	12	14	LB800A06010K
6	5	LW430B05X016	12	15	LFR42734

INDEX

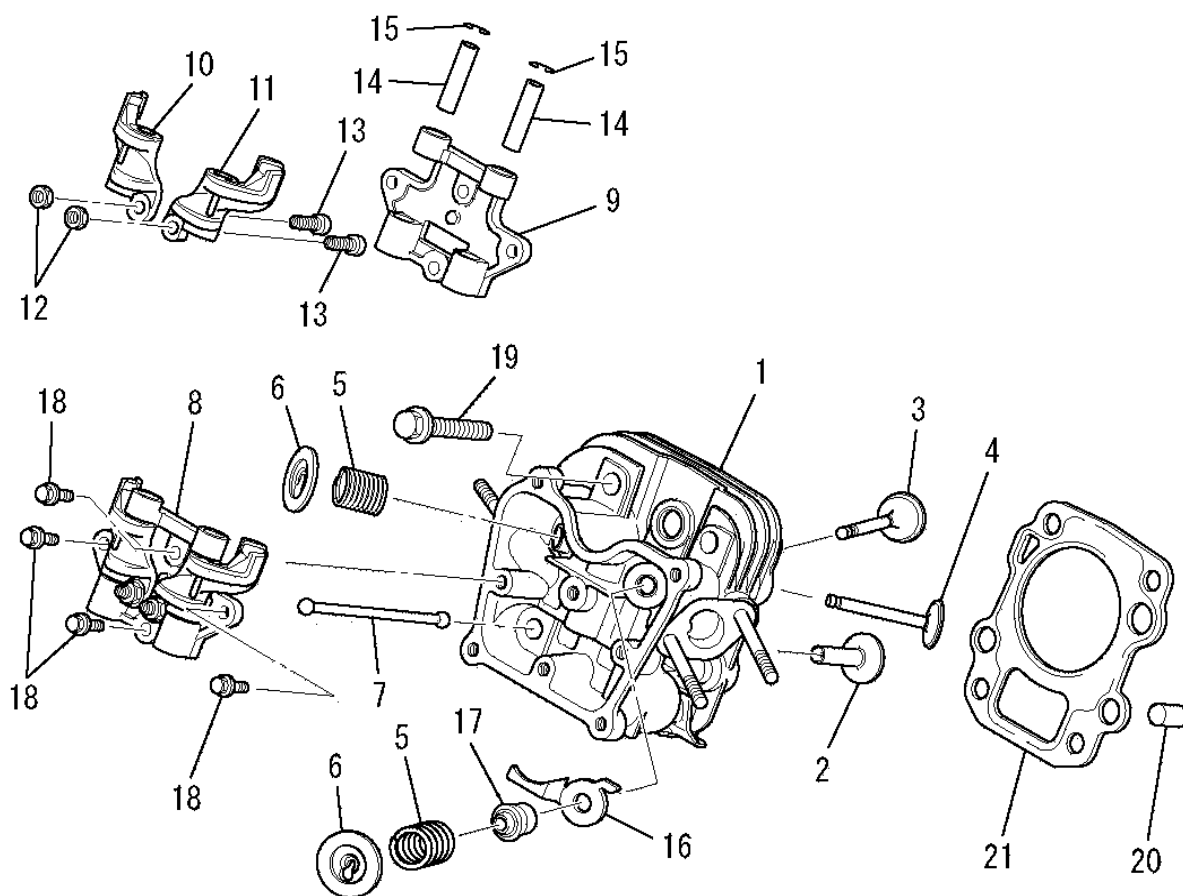
Page No.	No.	Parts No.	Page No.	No.	Parts No.
13	1	LH24004AD	23	2	LC65002AA
13	2	LH90050AA	23	3	LW33006AA
13	3	LH90051AA	23	4	LW31013AA
13	4	LB800A06012	23	5	LW34058AA
14	1	LF04118AA	23	6	LM70043AA
14	2	LF05010CA	23	7	LM70040AA
14	3	LF40003AA			
14	4	LB800A06016			
14	5	LU70021AA			
15	1	LF31034AA			
15	2	LF40012AA			
15	3	LU70020AA			
15	4	LU70021BA			
15	5	LU12026AA			
16	1	LS02099AA			
16	2	LS30040BA			
16	3	LB800A06010K			
16	4	LB800A06012K			
17	1	LM02138AA			
17	2	LM30021AA			
17	3	LN801A06			
17	4	LZZ70028C			
17	5	LM70043AA			
17	6	LM70040AA			
18	1	LR40029AA			
18	2	LU12025AA			
19	1	LB151B08020			
19	2	LG34031BA			
19	3	LFA28221			
19	4	LW006D04006K			
20	1	LE90315AA			
20	2	LE41014BA			
20	3	KE42027AA			
21	1	LW56109BA			
21	2	LW55081AB			
21	3	LW56315AA			
21	4	LW52315DA			
21	5	LW56316AA			
21	6	LF90139AA100			
21	7	LF90140AA090			
21	8	LW56254AA			
22	1	LN12004DA			
22	2	LN13001AA			
22	3	LFA21533D			
22	4	LW405B05X035			
23	1	LW39082CA			

(A) CYLINDER BLOCK GROUP



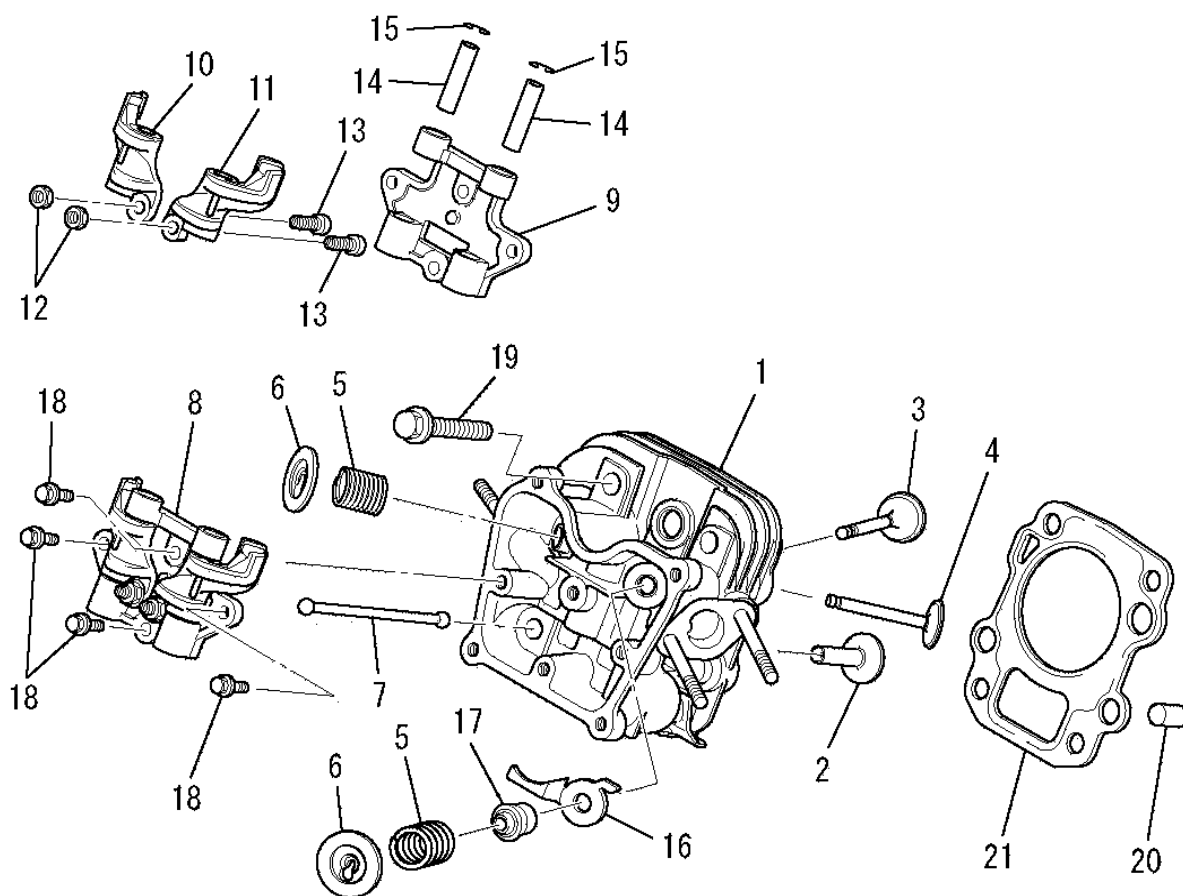
No.	R/N	Parts No.	Parts Name	No.Req'd	Inte	Remarks	Serial No.(From~To)
1		LB41005AB	CYLINDER BLOCK	1			
2		LG01003BA	GOVERNOR GEAR ASSY	1		INCL.NO.3	
3		LG14004AA	SLIDER,GOV	1			
4		LG22022AA	SHAFT,GOV	1			
5		LL22003AA	PLUG,DRAIN	2			
6		LW22002AA	OIL SEAL	1			
7		LS111X62X030	BEARING,BALL	1		#6203	
8		LW200H06	WASHER	1			
9		LW39070AA	GASKET	2			

(B) CYLINDER HEAD GROUP



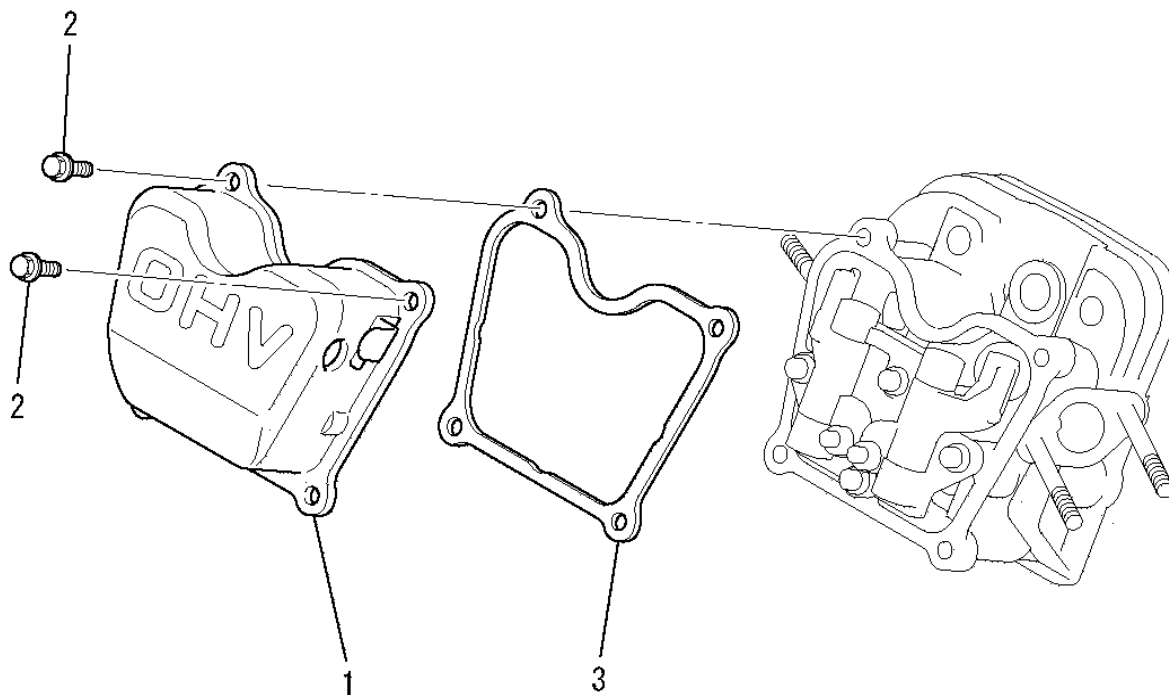
No.	R/N	Parts No.	Parts Name	No.Req'd	Inte	Remarks	Serial No.(From~To)
1		LC02055AA	CYLINDER HEAD ASSY	1		WITH LB151B06075	
2		LV24011AA	TAPPET	2			
3		LV32004AA	VALVE, INTAKE	1			
4		LV43008AA	VALVE, EXHAUST	1			
5		LV54002AA	SPRING, VALVE	2			
6		LV64004AA	RETAINER, VALVE SPG	2			
7		LV71009AA	ROD, PUSH	2			
8		LV02004AA	ROCKER ARM ASSY	1		INCL.NO.9-15	
9		LV74006AA	PLATE	1			
10		LV72014AA	ARM, ROCKER	1			
11		LV72015AA	ARM, ROCKER	1			
12		LU23013AA	NUT	2			

(B) CYLINDER HEAD GROUP



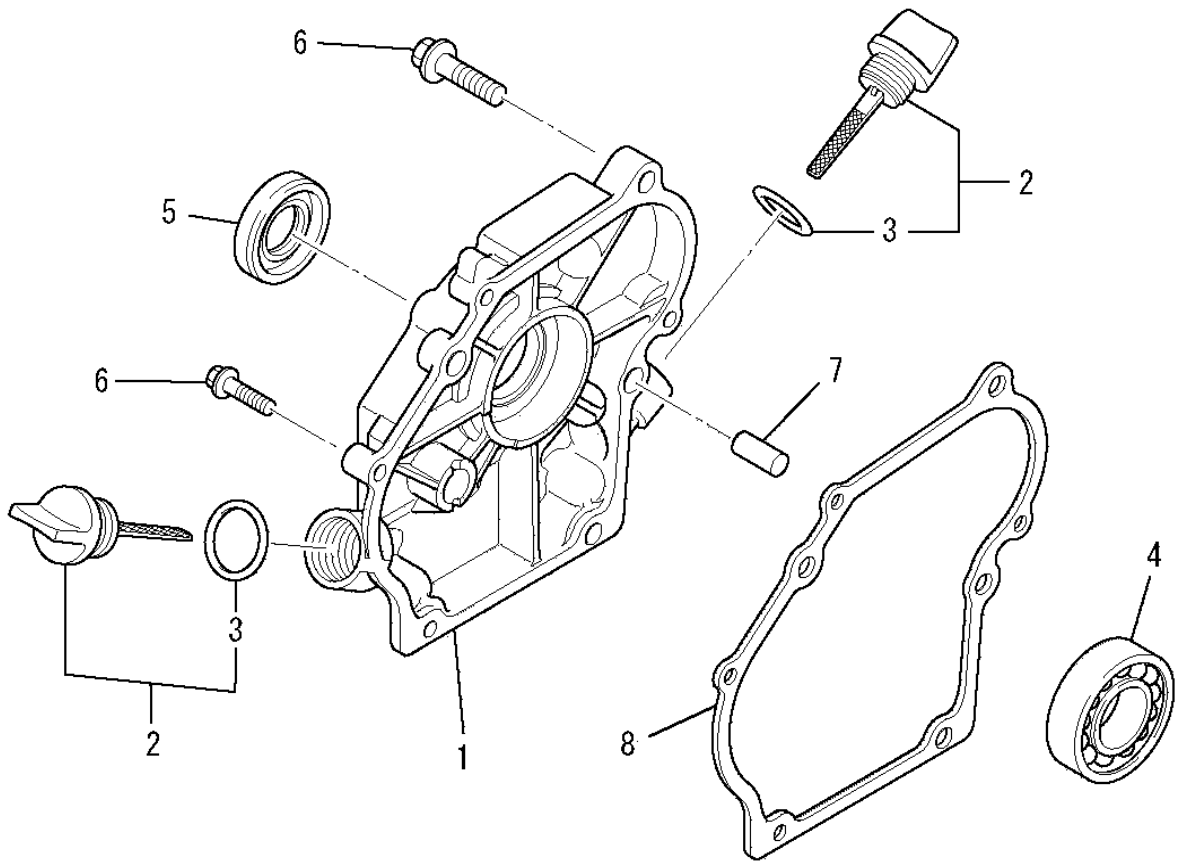
No.	R/N	Parts No.	Parts Name	No.Req'd	Inte	Remarks	Serial No.(From~To)
13		LV73005AA	SCREW, ADJUST	2			
14		LV75009BA	SHAFT	2			
15		LFR34111	CLIP, PISTON PIN	2			
16		LV90013AA	PLATE	1			
17		LW21023AA	SEAL, VALVE STEM	1			
18		LB800A06016	BOLT, FLANGE	4			
19		LB800B08055	BOLT, FLANGE	4			
20		LU44001AA	PIN, DOWEL	2			
21		LC65002AA	GASKET, HEAD	1			

(C) HEAD COVER GROUP



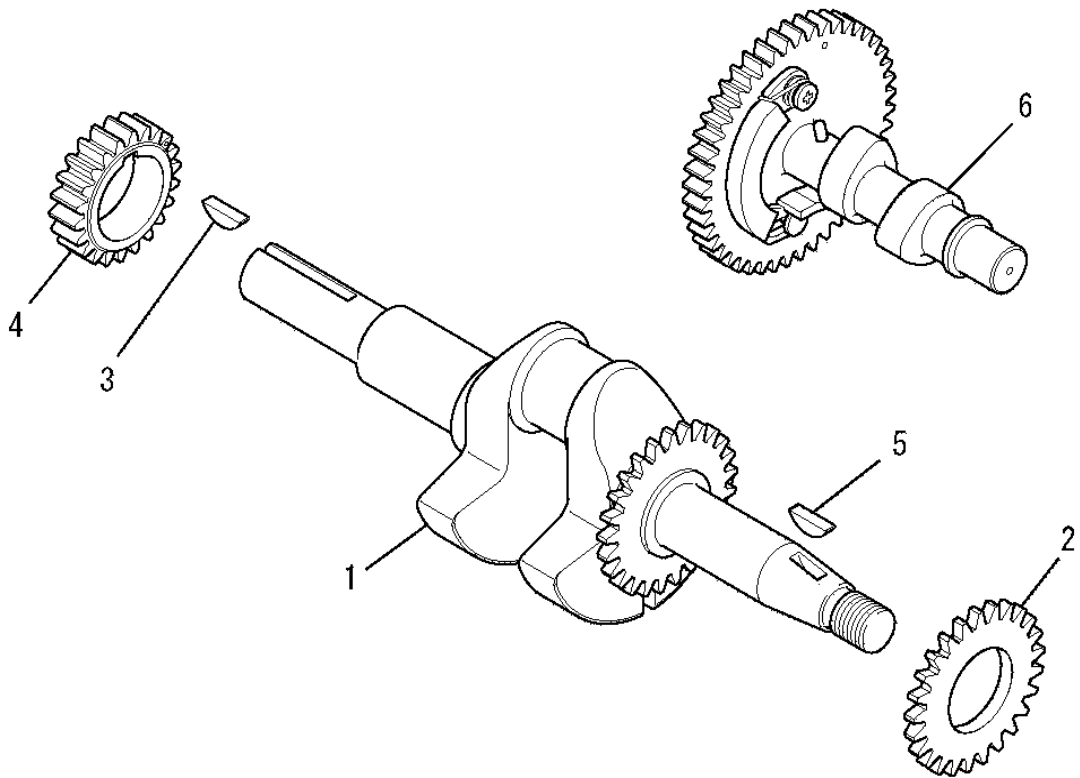
No.	R/N	Parts No.	Parts Name	No. Req'd	Inte	Remarks	Serial No. (From ~ To)
1		LC09013AA	COVER, HEAD	1			
2		LB800A06012	BOLT, FLANGE	4			
3		LW33006AA	GASKET, HEAD COVER	1			

(D) CASE COVER GROUP



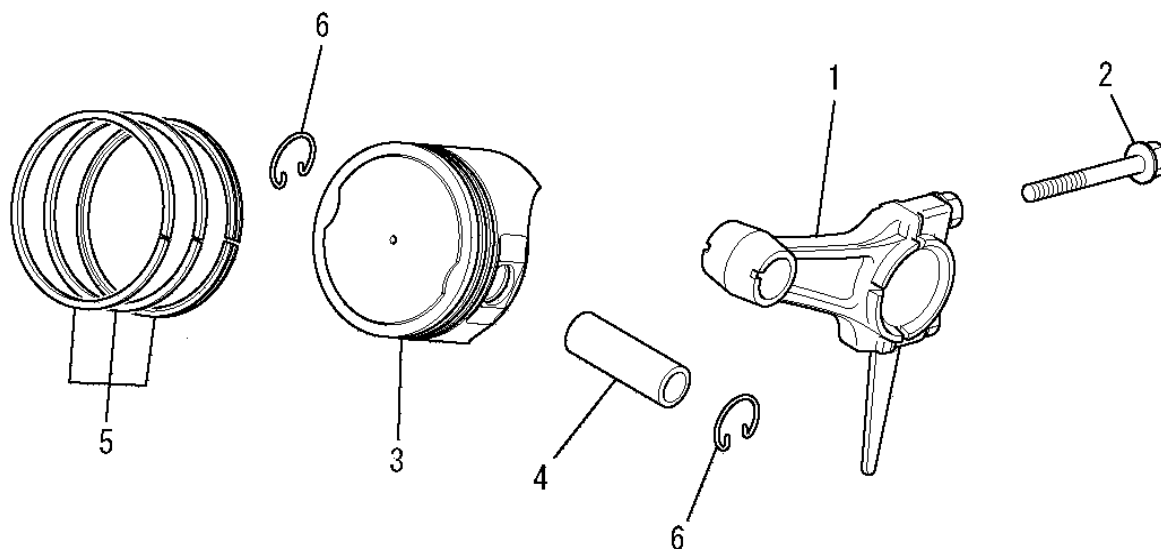
No.	R/N	Parts No.	Parts Name	No.Req'd	Inte	Remarks	Serial No.(From~To)
1		LB61007AA	COVER, CRANKCASE	1			
2		LL21016BA	GAUGE, OIL	2		INCL. NO. 3	
3		LW23003AA	O-RING	2			
4		LW11011AA	BEARING, BALL	1			
5		LW22002AA	OIL SEAL	1			
6		LB800B06025	BOLT, FLANGE	6			
7		LU44001AA	PIN, DOWEL	2			
8		LW31013AA	GASKET, CRANKCASE	1			

(E) CRANKSHAFT GROUP



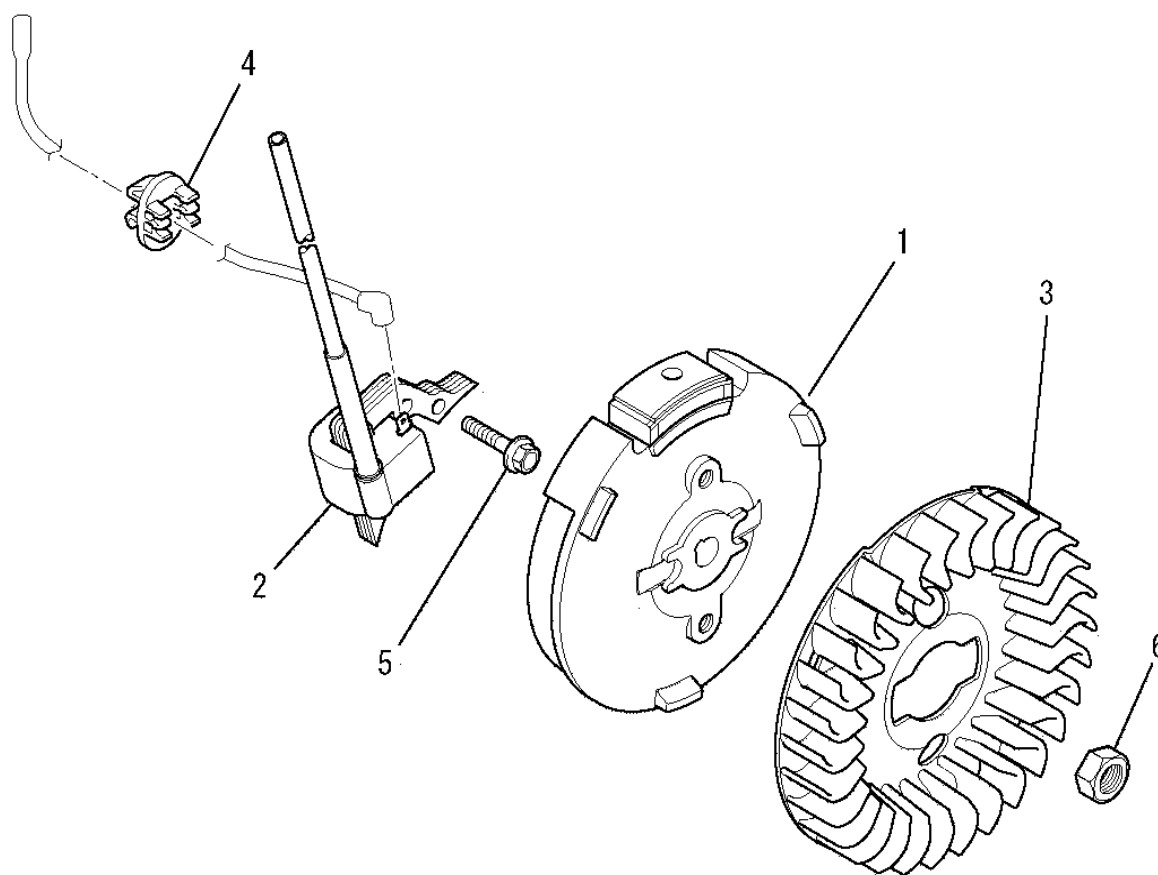
No.	R/N	Parts No.	Parts Name	No.Req'd	Inte	Remarks	Serial No.(From~To)
1		LD02062AA	CRANKSHAFT ASSY	1		INCL.NO.2,3	
2		LD63047AA	GEAR	1			
3		LW430B05X016	KEY,WOODRUFF	1			
4		LD62019AA	GEAR,CRANKSHAFT	1			
5		LW430B05X016	KEY,WOODRUFF	1			
6		LV01200AA	CAMSHAFT GEAR ASSY	1			

(F) PISTON & ROD GROUP



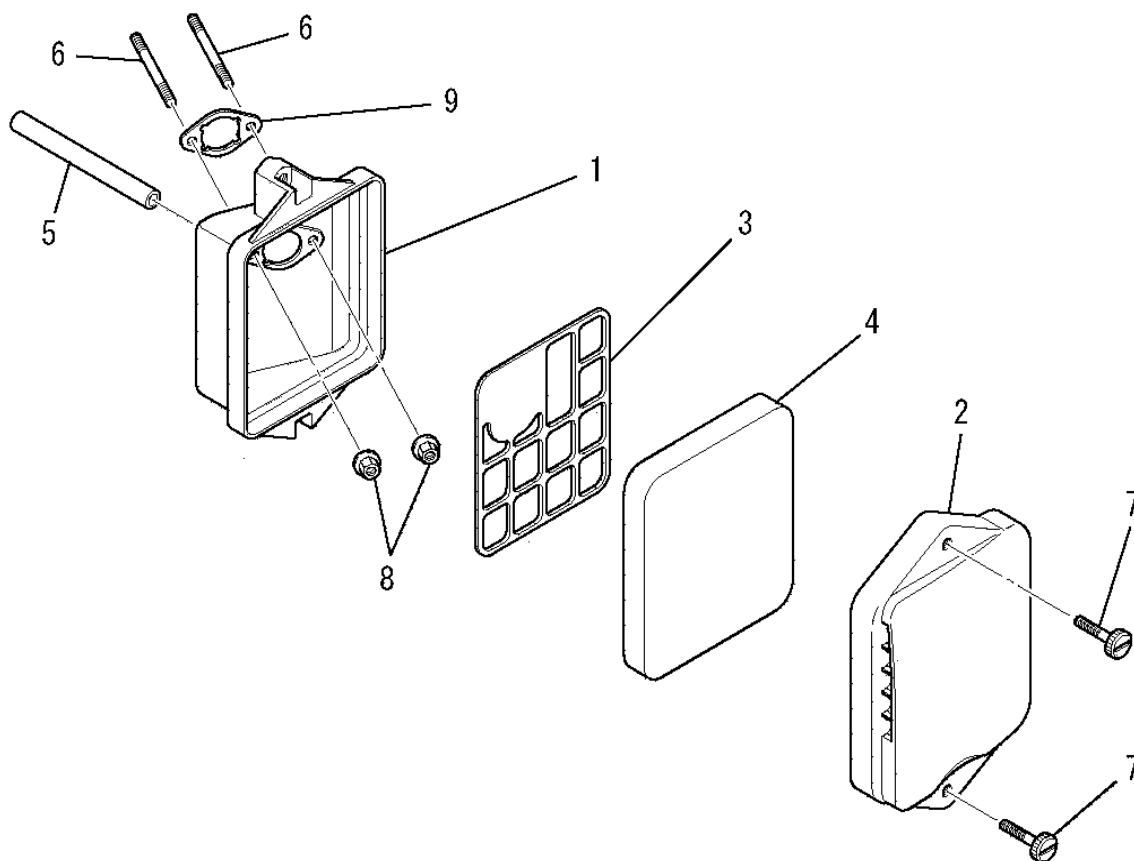
No.	R/N	Parts No.	Parts Name	No.Req'd	Inte	Remarks	Serial No.(From~To)
1		LD03029AA	CONNECTING ROD ASSY	1		STD INCL.NO.2	
1	1	LD03029BA	CONNECTING ROD ASSY	1		US 0.25 INCL.NO.2	
1	2	LD03029CA	CONNECTING ROD ASSY	1		US 0.50 INCL.NO.2	
2		LB800B06030	BOLT, FLANGE	2			
3		LP15007AA	PISTON	1		STD	
3	1	LP15007BA	PISTON	1		OS 0.25	
3	2	LP15007CA	PISTON	1		OS 0.50	
4		LP55003AA	PIN, PISTON	1			
5		LP02020AA	PISTON RING SET	1		STD	
5	1	LP02020BA	PISTON RING SET	1		OS 0.25	
5	2	LP02020CA	PISTON RING SET	1		OS 0.50	
6		LP90002AA	CLIP, PISTON PIN	2			

(G) MAGNETO GROUP



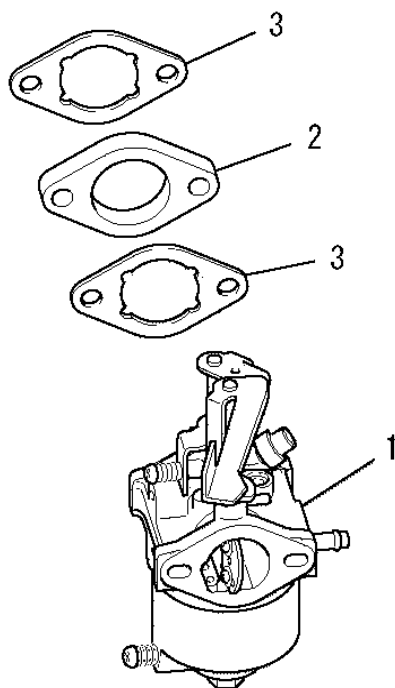
No.	R/N	Parts No.	Parts Name	No.Req'd	Inte	Remarks	Serial No.(From~To)
1		LE12036AA	FLYWHEEL	1			
2		LE24019AA	COIL, IGNITION	1			
3		LE90200AA	FAN	1			
4		LU70007AA	CLIP	1			
5		LB800A06020	BOLT, FLANGE	2			
6		LN030A12	NUT	1			

(H) AIR CLEANER GROUP



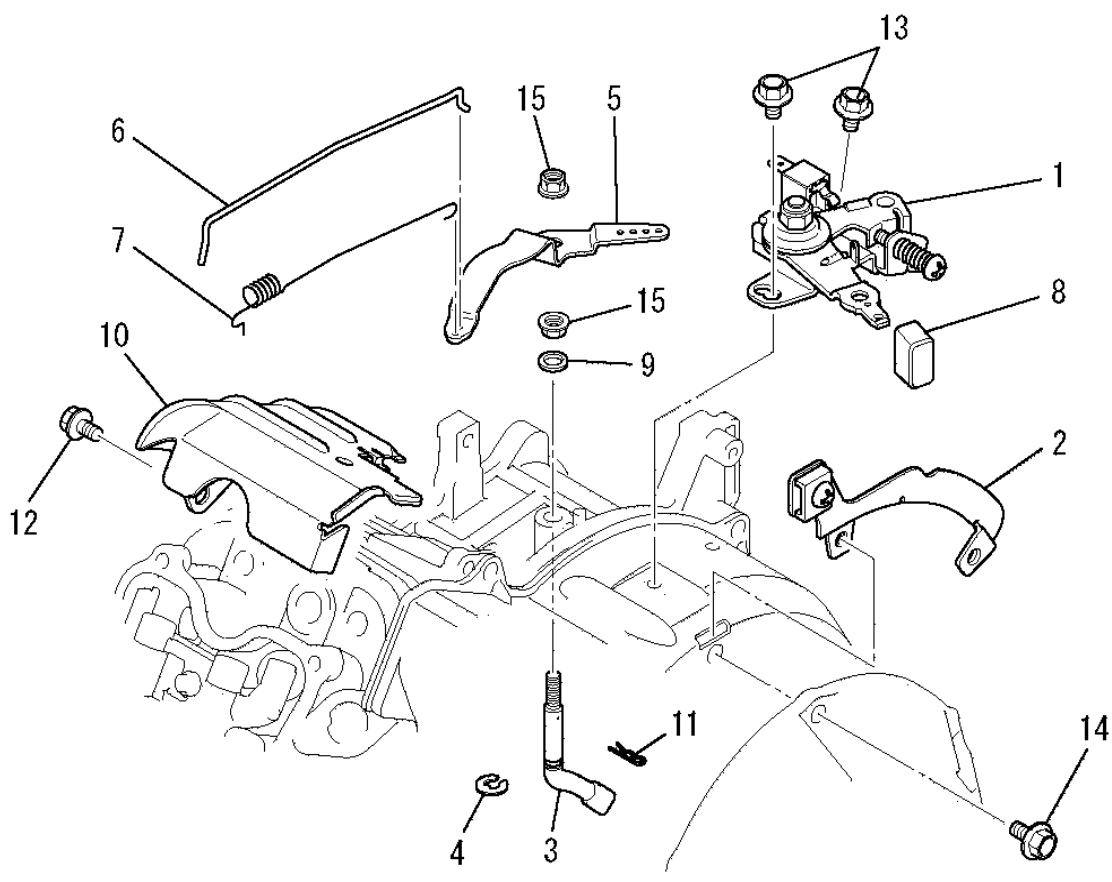
No.	R/N	Parts No.	Parts Name	No.Req'd	Inte	Remarks	Serial No.(From~To)
1		LA11021AA	CASE , CLEANER	1			
2		LA20070AA	COVER , CLEANER	1			
3		LA30024BA	GRID	1			
4		LA40072AA	ELEMENT , CLEANER	1			
5		LL41005AA	TUBE , BREATHER	1			
6		LB151B06075	BOLT , STUD	2			
7		LA90124BA	BOLT	2			
8		LN801A06	NUT , FLANGE	2			
9		LW34058AA	GASKET , CARBURETOR	1			

(I) CARBURETOR GROUP



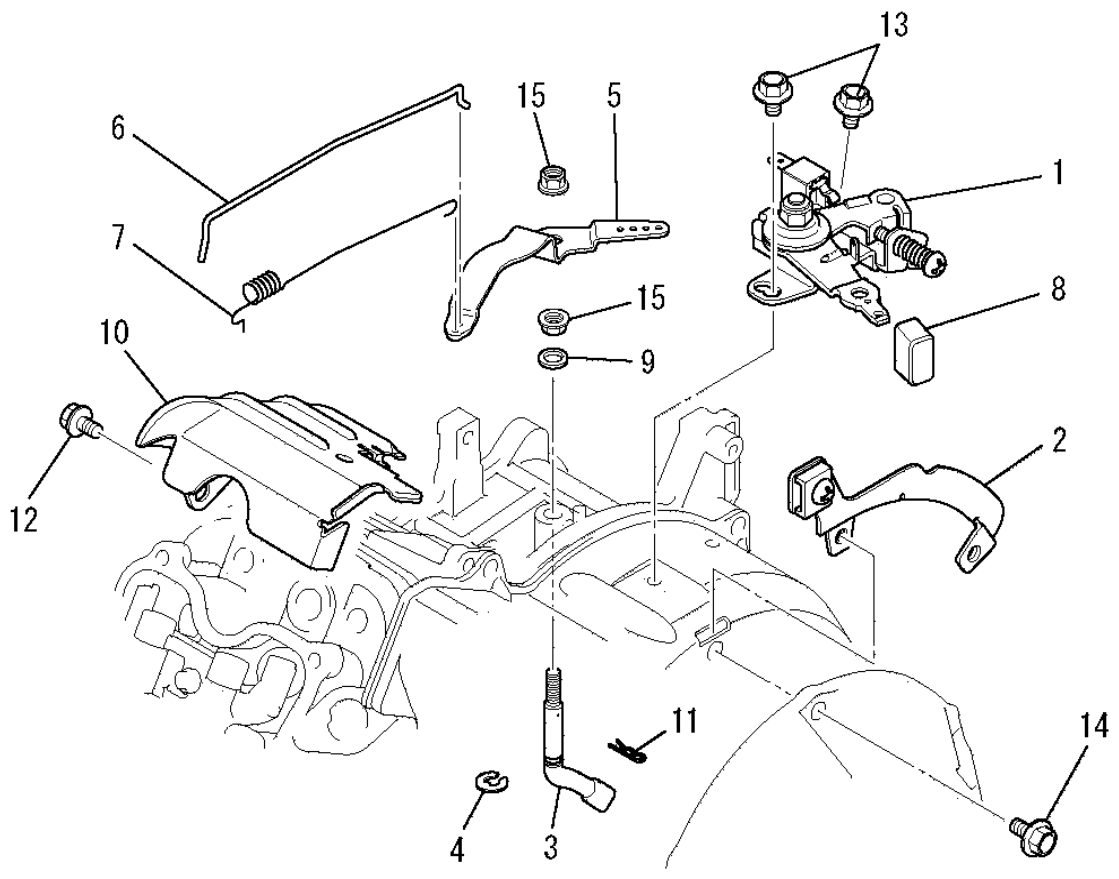
No.	R/N	Parts No.	Parts Name	No.Req'd	Inte	Remarks	Serial No.(From~ To)
1		LK11014EB	CARBURETOR(F)	1			
2		LK31027AA	INSULATOR	1			
3		LW34058AA	GASKET ,CARBURETOR	2			

(J) CONTROL PANEL GROUP



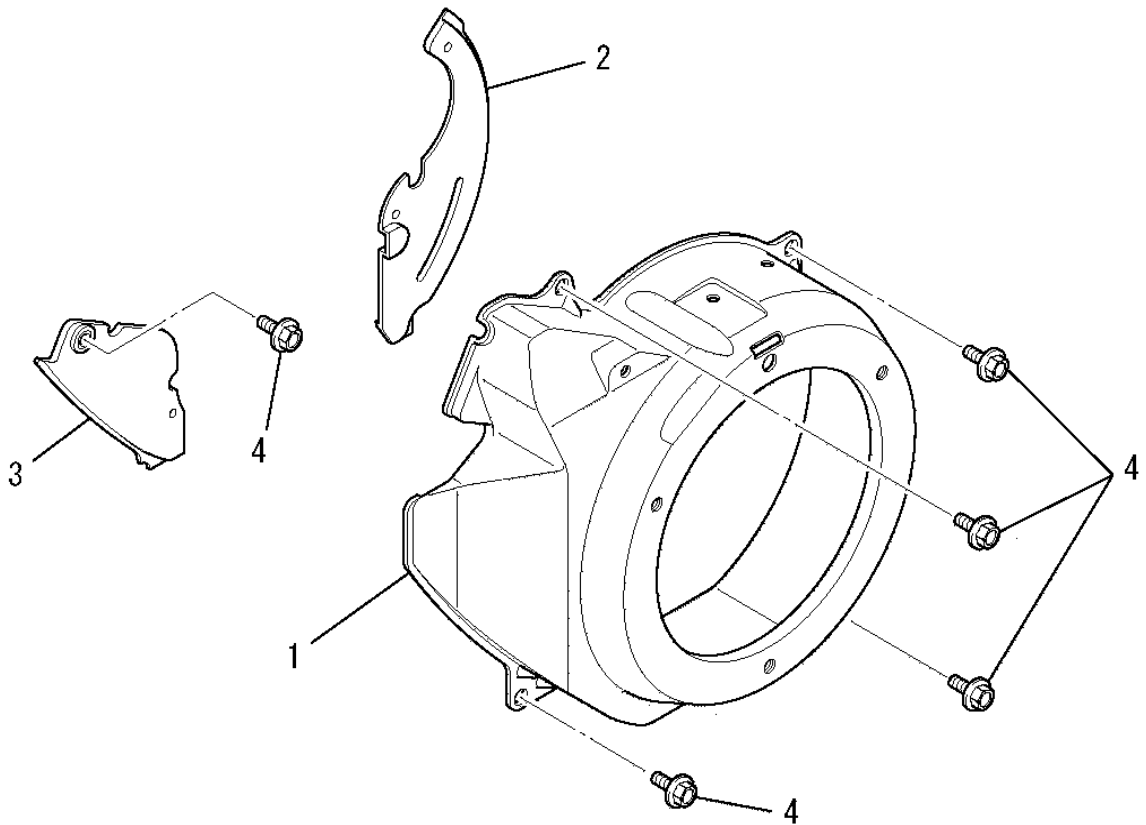
No.	R/N	Parts No.	Parts Name	No.Req'd	Inte	Remarks	Serial No.(From~To)
1		LG03055AA	CONTROL PANEL ASSY	1			
2		LG09011BA	PANEL,REMOTE	1			
3		LG22017AA001	SHAFT,GOV	1			
4		LS500P07	SNAP RING	1			
5		LG31028AA	LEVER,GOV	1			
6		LG41020AA	ROD,GOV	1			
7		LG42021AA	SPRING,ROD	1			
8		LG90014AA	CAP	1			
9		LG90023AA	WASHER	1			
10		LH40056AB	COVER, TOP	1			
11		LU70006AA	CLIP	1			
12		LB800A06012	BOLT, FLANGE	1			

(J) CONTROL PANEL GROUP



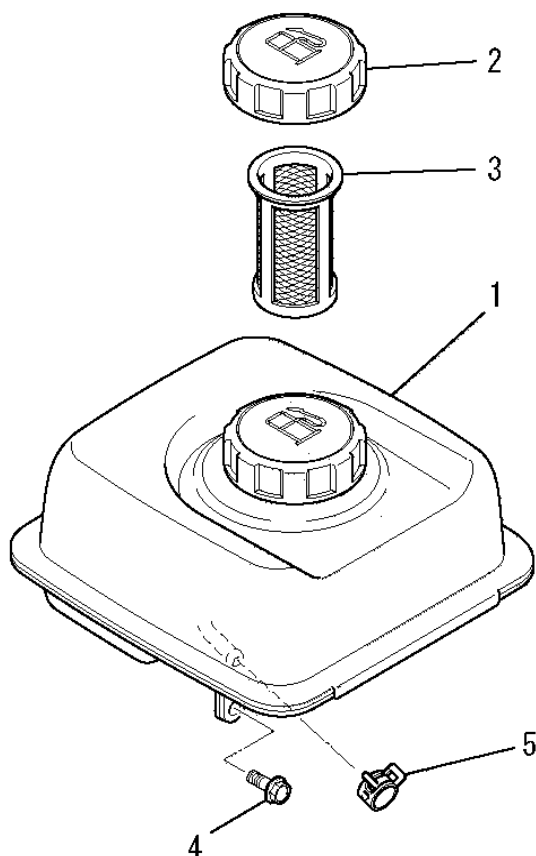
No.	R/N	Parts No.	Parts Name	No.Req'd	Inte	Remarks	Serial No.(From~To)
13		LB800A06008K	BOLT, FLANGE	2			
14		LB800A06010K	BOLT, FLANGE	1			
15		LFR42734	NUT, FLANGE	2			

(K) FAN COVER GROUP



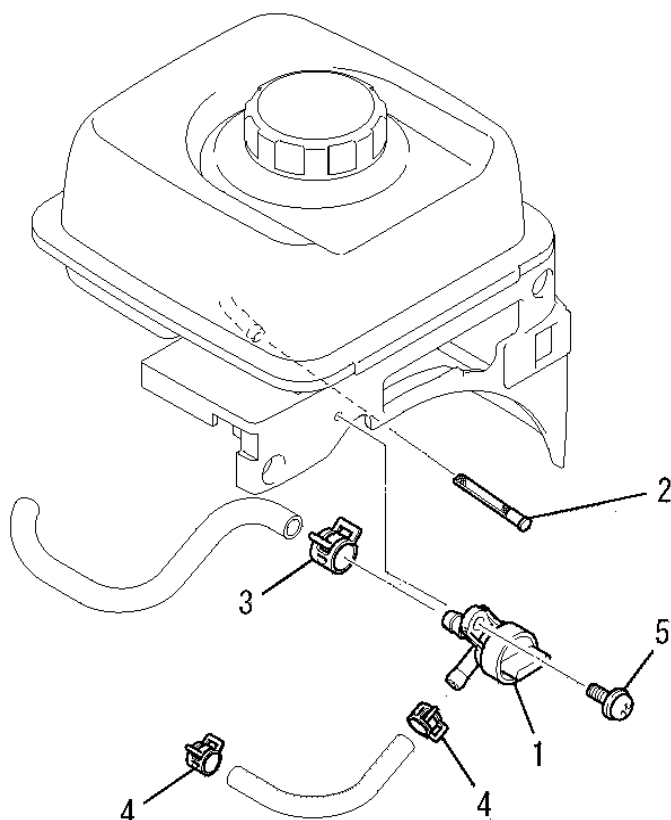
No.	R/N	Parts No.	Parts Name	No.Req'd	Inte	Remarks	Serial No.(From~To)
1		LH24004AD	COVER ,FAN	1			
2		LH90050AA	COVER	1			
3		LH90051AA	COVER	1			
4		LB800A06012	BOLT ,FLANGE	5			

(M) TANK GROUP



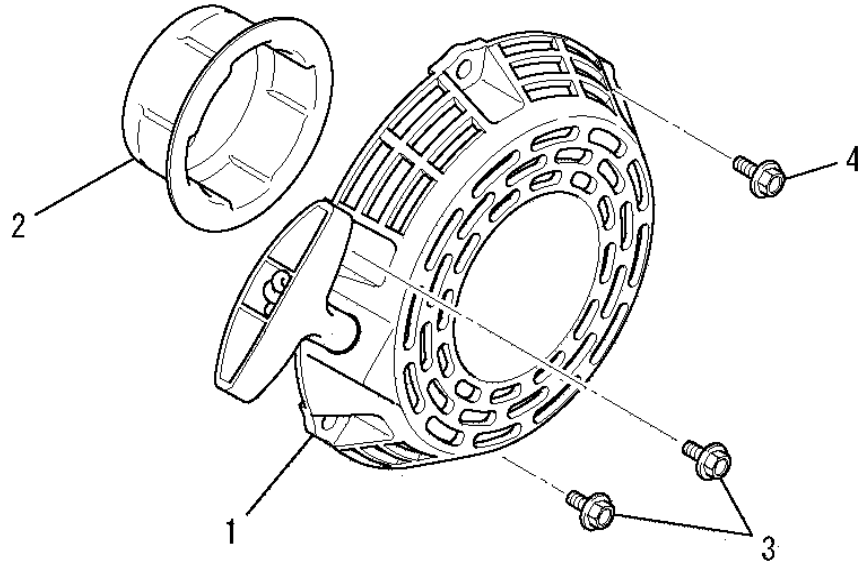
No.	R/N	Parts No.	Parts Name	No.Req'd	Inte	Remarks	Serial No.(From~To)
1		LF04118AA	FUEL TANK ASSY	1		INCL.NO.2,3	
2		LF05010CA	TANK CAP ASSY	1			
3		LF40003AA	FILTER,FUEL	1			
4		LB800A06016	BOLT,FLANGE	3			
5		LU70021AA	CLIP	1			

(N) COCK GROUP



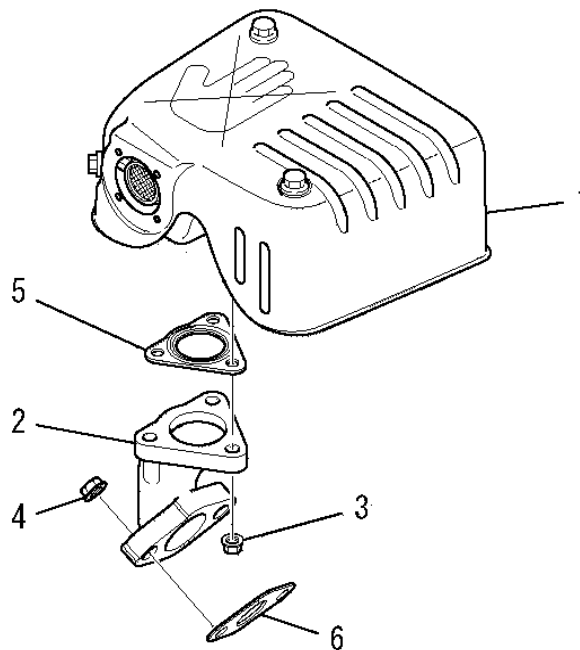
No.	R/N	Parts No.	Parts Name	No. Req'd	Inte	Remarks	Serial No. (From ~ To)
1		LF31034AA	COCK, FUEL	1			
2		LF40012AA	FILTER, FUEL	1			
3		LU70020AA	CLIP	1			
4		LU70021BA	CLIP	2			
5		LU12026AA	TAP-SCREW	1			

(R) RECOIL STARTER GROUP



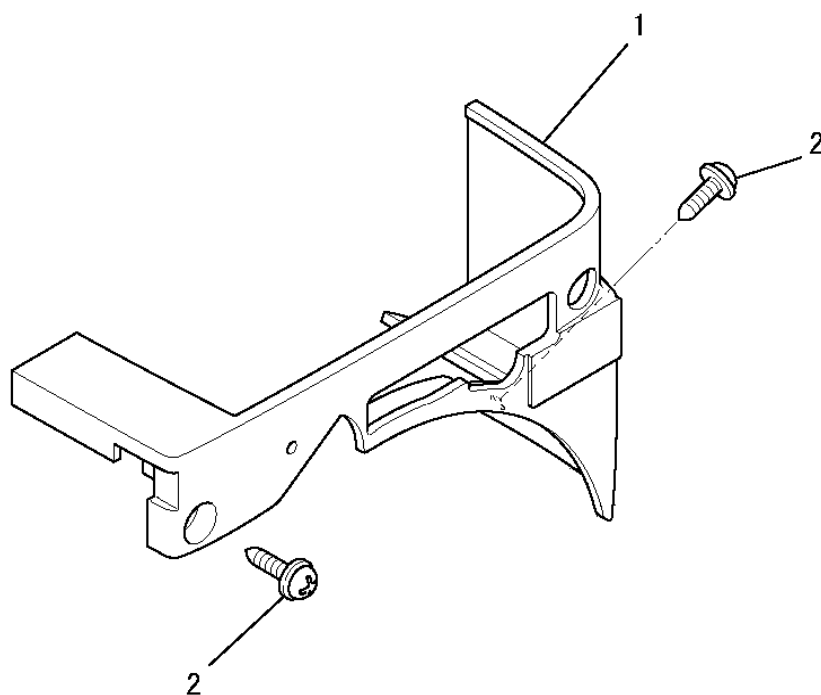
No.	R/N	Parts No.	Parts Name	No.Req'd	Inte	Remarks	Serial No.(From~To)
1		LS02099AA	RECOIL STARTER ASSY	1		INCL.NO.2	
2		LS30040BA	PULLEY,STARTER	1			
3		LB800A06010K	BOLT,FLANGE	2			
4		LB800A06012K	BOLT,FLANGE	1			

(S) MUFFLER GROUP



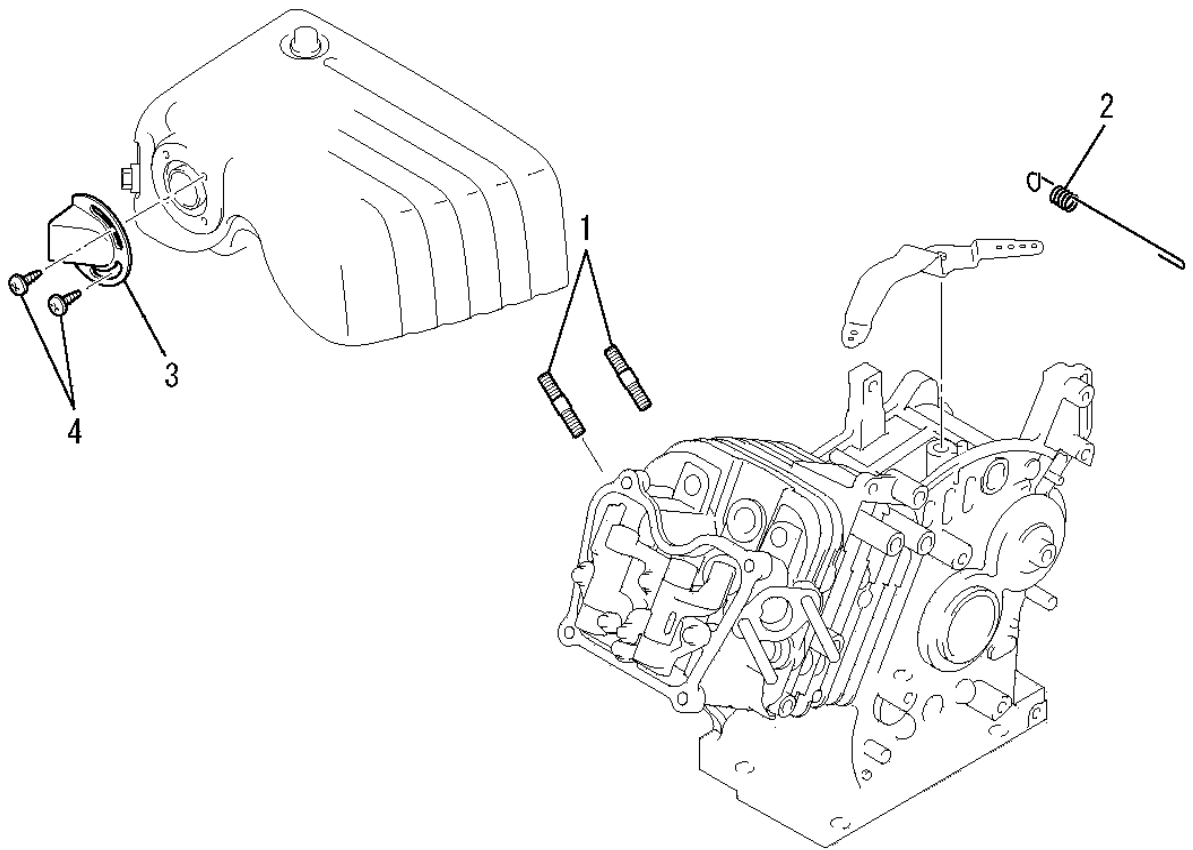
No.	R/N	Parts No.	Parts Name	No.Req'd	Inte	Remarks	Serial No.(From~To)
1		LM02138AA	MUFFLER ASSY	1			
2		LM30021AA	PIPE ,EXHAUST	1			
3		LN801A06	NUT ,FLANGE	3			
4		LZZ70028C	NUT ,CONICAL SPG	2			
5		LM70043AA	GASKET ,MUFFLER	1			
6		LM70040AA	GASKET ,MUFFLER	1			

(X) COVER GROUP



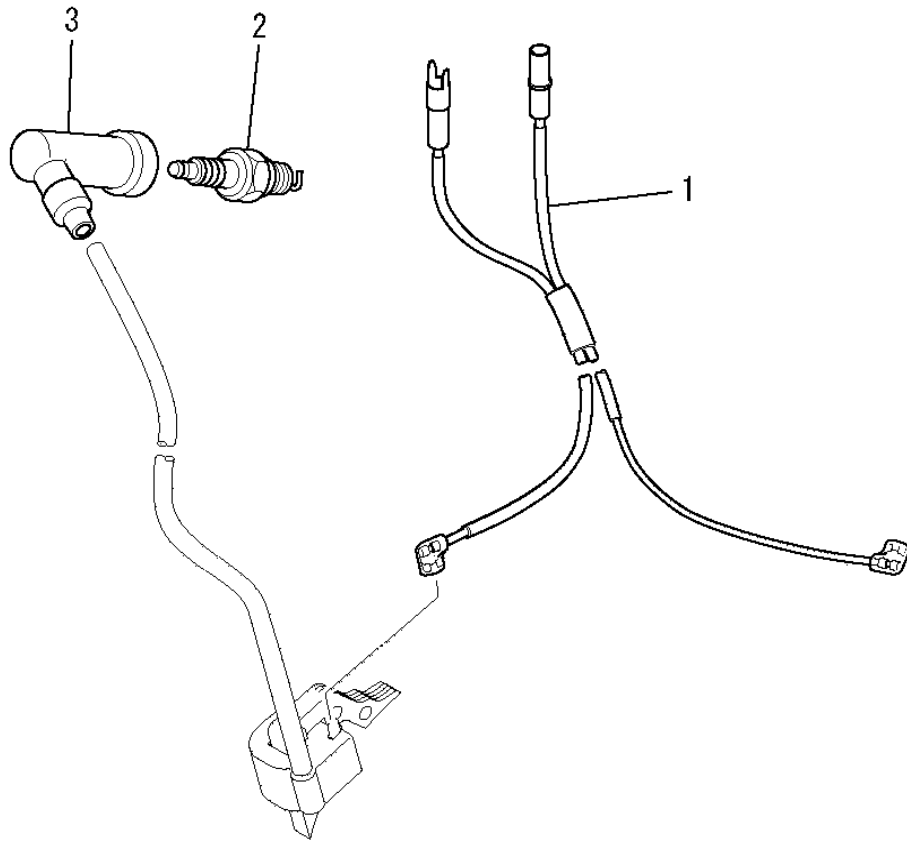
No.	R/N	Parts No.	Parts Name	No. Req'd	Inte	Remarks	Serial No. (From ~ To)
1		LR40029AA	COVER, FRONT	1			
2		LU12025AA	TAP-SCREW	2			

1. BOLT, SPRING, COVER



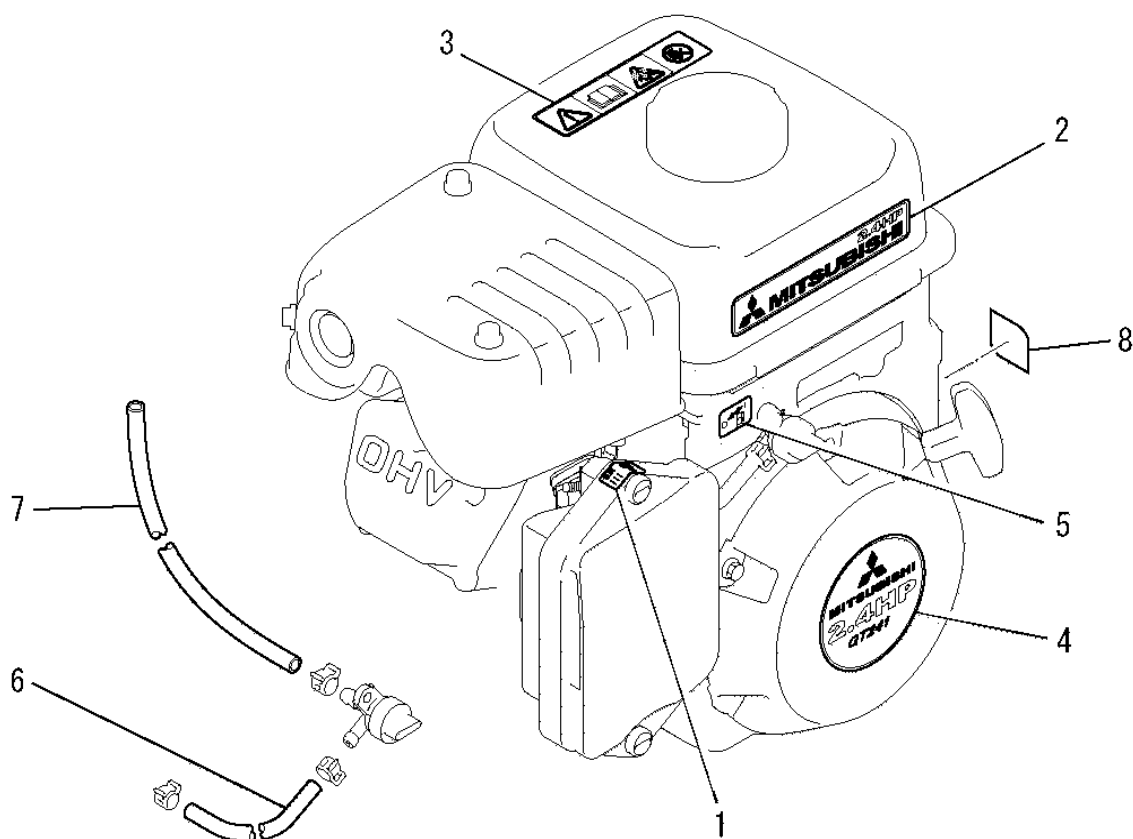
No.	R/N	Parts No.	Parts Name	No. Req'd	Inte	Remarks	Serial No. (From ~ To)
1		LB151B08020	BOLT, STUD	2			
2		LG34031BA	SPRING, GOV	1			
3		LFA28221	PIPE, TAIL	1			
4		LW006D04006K	SCREW	2			

2.LEAD WIRE, PLUG, CAP



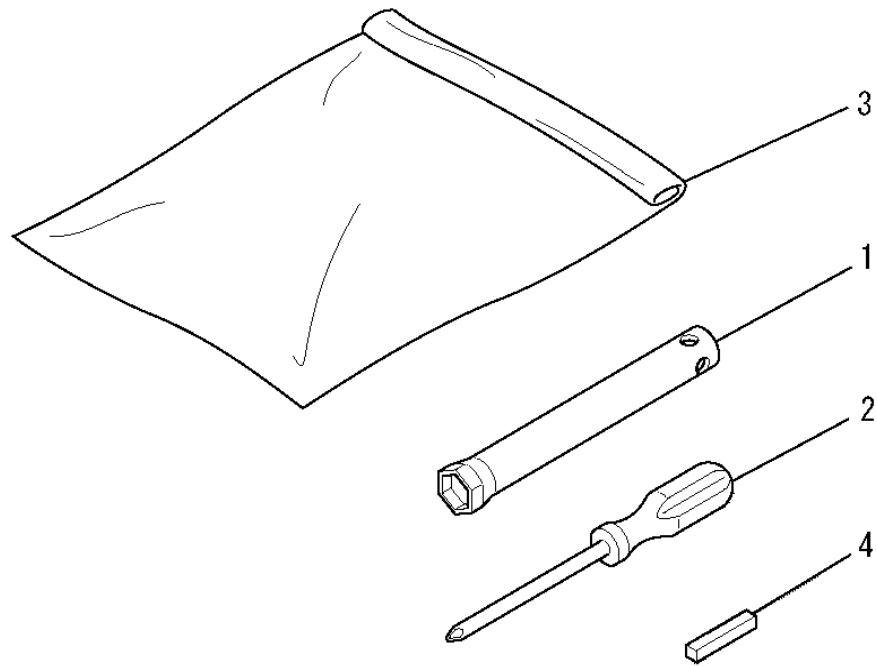
No.	R/N	Parts No.	Parts Name	No.Req'd	Inte	Remarks	Serial No.(From ~ To)
1		LE90315AA	WIRE, LEAD	1			
2		LE41014BA	PLUG, SPARK	1			
3		KE42027AA	CAP, PLUG	1			

3. LABEL , FUEL HOSE



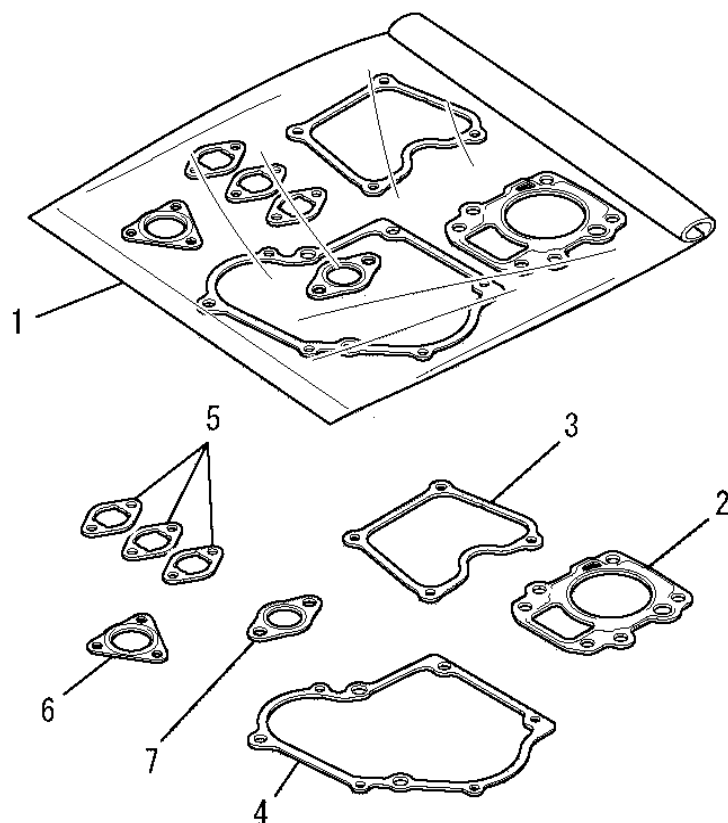
No.	R/N	Parts No.	Parts Name	No. Req'd	Inte	Remarks	Serial No. (From ~ To)
1		LW56109BA	LABEL , CHOKE	1			
2		LW55081AB	LABEL	1			
3		LW56315AA	LABEL , CAUTION	1			
4		LW52315DA	LABEL , NAME	1			
5		LW56316AA	LABEL	1			
6		LF90139AA100	HOSE , FUEL	1			
7		LF90140AA090	HOSE , FUEL	1			
8		LW56254AA	LABEL	1			

4. TOOL SET



No.	R/N	Parts No.	Parts Name	No. Req'd	Inte	Remarks	Serial No. (From ~ To)
1		LN12004DA	SPANNER, BOX	1			
2		LN13001AA	DRIVER, SCREW	1			
3		LFA21533D	BAG, TOOL	1			
4		LW405B05X035	KEY, SUNK	1			

5. GASKET SET



No.	R/N	Parts No.	Parts Name	No. Req'd	Inte	Remarks	Serial No. (From ~ To)
1		LW39082CA	GASKET SET	1		INCL. NO. 2-7	
2		LC65002AA	GASKET, HEAD	1			
3		LW33006AA	GASKET, HEAD COVER	1			
4		LW31013AA	GASKET, CRANKCASE	1			
5		LW34058AA	GASKET, CARBURETOR	3			
6		LM70043AA	GASKET, MUFFLER	1			
7		LM70040AA	GASKET, MUFFLER	1			