

PARTS CATALOG

MITSUBISHI MEIKI
AIR-COOLED
GASOLINE ENGINE

MODEL GT1300PNRTX

JAN., 2011

MITSUBISHI HEAVY INDUSTRIES, LTD.

INDEX

Page No.	No.	Parts No.	Page No.	No.	Parts No.
1	1	LB151B08020	8	17	LB800B06020
1	2	LFR56780	8	18	LB800B10065
1	3	LG34055AA	8	19	LC68002AA
1	4	LH60025AA	9	1	LC09017AA
2	1	LE90069AA	9	2	LB800A06012
2	2	LE41017AA	9	3	LW33003AA
2	3	LE42045AA	10	1	LB67005EA
3	1	LW55093EA	10	2	LD51005AA
3	2	LW56315AA	10	3	LG01008CA
3	3	LW52356BA	10	4	LG14005AA
3	4	LP051Y06X220	10	5	LG22022AA
3	5	LP051Y08X500	10	6	LL21018AA
4	1	LN12015EA	10	7	LW29006AA
4	2	LN13003AA	10	8	LW11006AA
4	3	LN11002AA	10	9	LW29002AA
4	4	LW405B07X045	10	10	LS111X62X030
5	1	LW39121AA	10	11	LB800B08030
5	2	LC68002AA	10	12	LFA28247
5	3	LW33003AA	11	13	LU44001AA
5	4	LW31010AA	11	14	LW31010AA
5	5	LW34055AA	12	1	LD02091AA
5	6	LW34052AA	12	2	LD63057BA
5	7	LM70056AA	12	3	LD63058BA
5	8	LM70057AA	12	4	LD90012AA
6	1	LL22010AA	12	5	LW430B05X016
6	2	LB47002AA	12	6	LV01231AA
6	3	LW11006AA	12	7	LV83010FA
6	4	LW29002AA	12	8	LS500P03
6	5	LS111X62X030	13	1	LP90005AA
6	6	LZZ70013A	13	2	LD03033AA
7	1	LC02071AA	13	2	LD03033BA
7	2	LFR46870	13	2	LD03033CA
7	3	LU44001AA	13	3	LD70001AA
7	4	LV25001AA	13	4	LP18005AA
7	5	LV37003AA	13	4	LP18005BA
7	6	LV45009AA	13	4	LP18005CA
7	7	LV56002AA	13	5	LP58003AA
7	8	LV68003AA	13	6	LP02022AA
7	9	LV71007AA	13	6	LP02022BA
7	10	LV72004AA	13	6	LP02022CA
7	11	LV72018AA	14	1	LE12018AA
7	12	LV72006AA	14	2	LE24025AA
8	13	LV73003AA	14	3	LE90320AA
8	14	LV75010AA	14	4	LE90321AA
8	15	LW21024AA	14	5	LU70007AA
8	16	LS510P12	14	6	LU27002AA

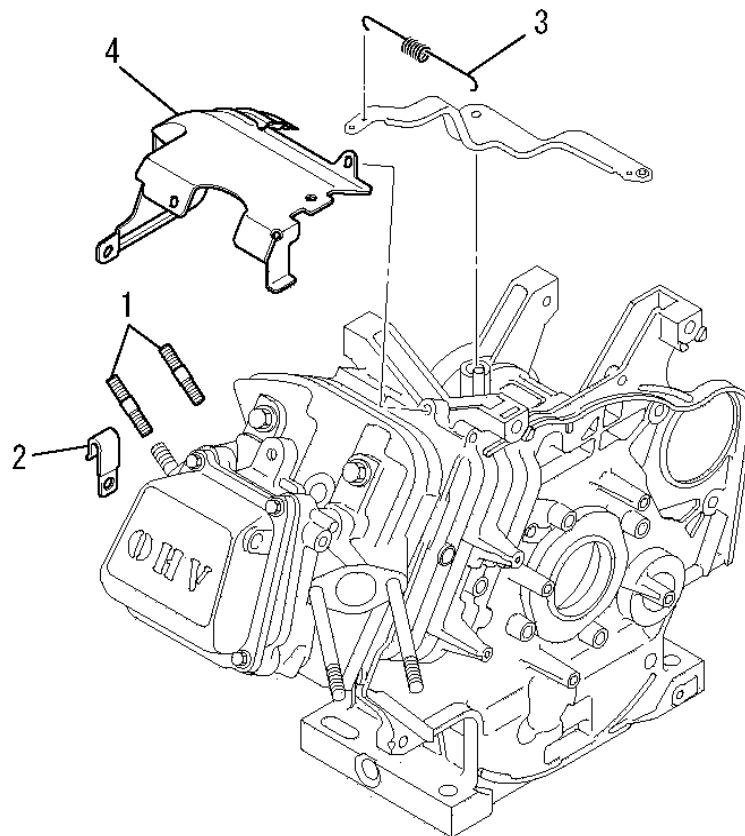
INDEX

Page No.	No.	Parts No.	Page No.	No.	Parts No.
14	7	LU12075AA	18	33	LW34052AA
14	8	LU14036AA	18	34	LK09015AA
15	1	LFR64917A	19	1	LG03059BA
15	2	LA11042AA	19	2	LG22026AA
15	3	LA20045AA	19	3	LG31032AA
15	4	LFA24115	19	4	LG41032AA
15	5	LA30016AA	19	5	LG42039AA
15	6	LA40059AA	19	6	LG90014AA
15	7	LA90183AA	19	7	LG90016AA
15	8	LL41005FA	19	8	LU70006AA
15	9	LB151B06095	19	9	LB800A06012
15	10	LB800A06008	19	10	LG90015AA
15	11	LB800B06016	19	11	LU24002AA
15	12	LN801A06	19	12	LW34055AA
16	1	LK16034AA	20	1	LH28026AA
16	2	LK16009AA002	20	2	LB800A06012
16	3	LK16009AA003	21	1	LH40020AA
16	4	LK15001AA026	21	2	LB800A06012
16	5	LK16009AA005	22	1	LF04147AD
16	6	LK15016AA005	22	2	LF22003AA
16	7	LK16009AA007	22	3	LF40016AA
16	8	LK13003AA008	22	4	LF59028AA
16	9	LK74508BC425	22	5	LF59029AA
16	10	LK16009AA011	22	6	LU50041AA
16	11	LK16009AA012	22	7	LU50042AA
16	12	LK12008AE016	22	8	LN801A06
17	13	LK15003AE014	22	9	LB800A06016
17	14	LK15003AE015	22	10	LU70021AA
17	15	LK74524BA027	23	1	LF31036BA
17	16	LK74525CA075	23	2	LF90105AA
17	17	LFA27080X013	23	3	LB800A06025
17	18	LK16009AA019	23	4	LU70020AA
17	19	LK16009AA020	23	5	LU70021AA
17	20	LK16009AA021	24	1	LS20173AD
17	21	LK16009AA022	24	2	LS20173AD002
17	22	LK13002AA017	24	3	LS20173AD003
17	23	LK13002AA028	24	4	LS20173AD004
17	24	LK15001AA014	24	5	LS20173AD005
18	25	LK15005DA025	24	6	LS20173AD006
18	26	LK13003AA008	24	7	LS20020AD007
18	27	LK15001AA018	24	8	LS20020AD008
18	28	LK15001AA016	24	9	LS20173AD009
18	29	LK12008AE011	24	10	LS30068AA
18	30	LK16009AA030	24	11	LB800A06008
18	31	LK15001AA015	25	1	LM02167AA
18	32	LK34002AA	25	2	LM30019AA

INDEX

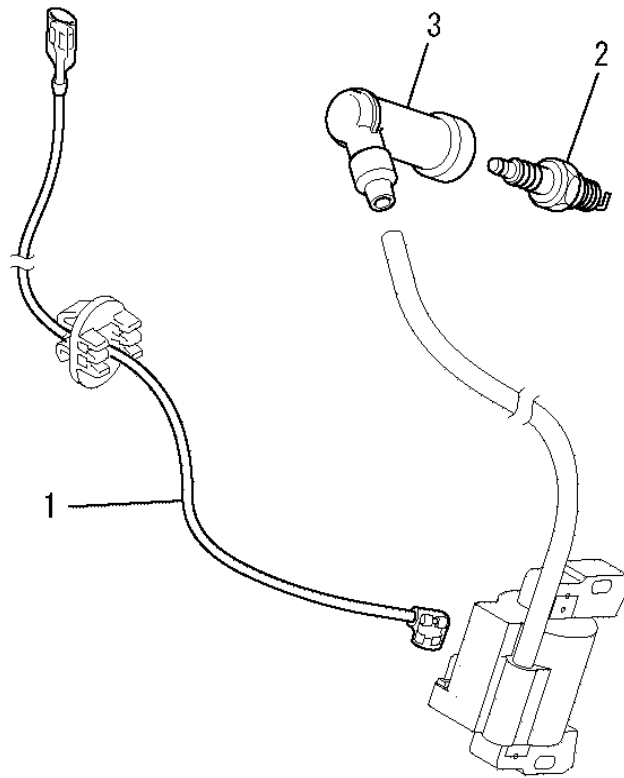
Page No.	No.	Parts No.	Page No.	No.	Parts No.
25	3	LB121C06016			
25	4	LZZ70028C			
25	5	LM70056AA			
25	6	LM70057AA			
26	1	LE80033BA			
26	2	LE90190AA			
26	3	LE90191AA			
27	1	LR04016AA			
27	2	LW56067BA			
27	3	LB800A06030			
27	4	LB800A06090			
27	5	LU12025AA			

1. BOLT, SPRING, COVER



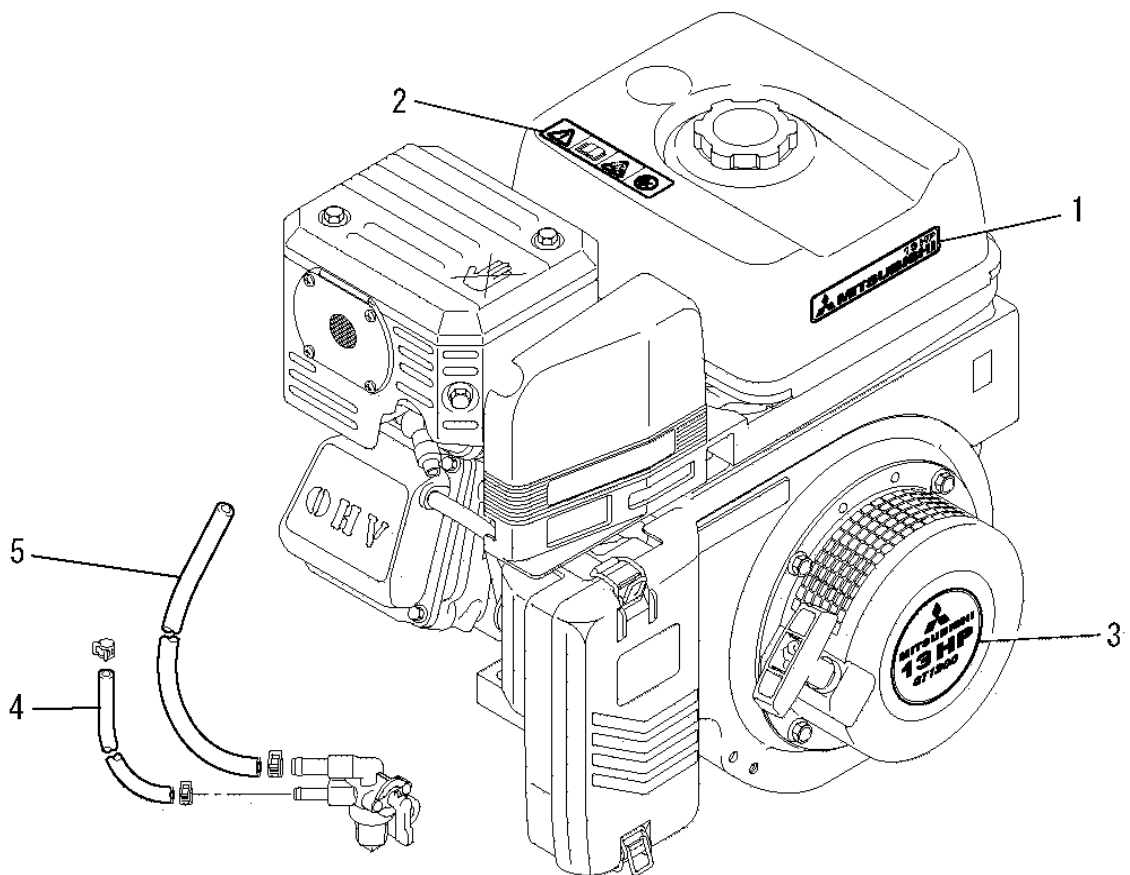
No.	R/N	Parts No.	Parts Name	No. Req'd	Inte	Remarks	Serial No. (From~To)
1		LB151B08020	BOLT, STUD	2			
2		LFR56780	CLAMP	1			
3		LG34055AA	SPRING, GOV	1			
4		LH60025AA	BAFFLE, CYLINDER	1			

2. LEAD WIRE, PLUG, CAP



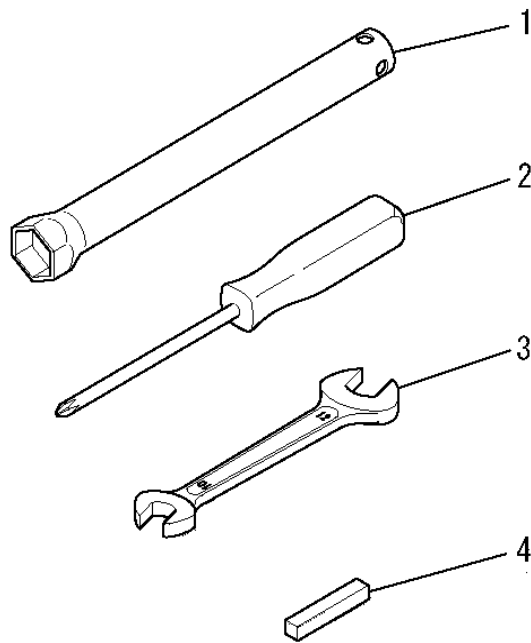
No.	R/N	Parts No.	Parts Name	No. Req'd	Inte	Remarks	Serial No. (From~To)
1		LE90069AA	WIRE, LEAD	1			
2		LE41017AA	PLUG, SPARK	1			
3		LE42045AA	CAP, PLUG	1			

3. LABEL, FUEL HOSE



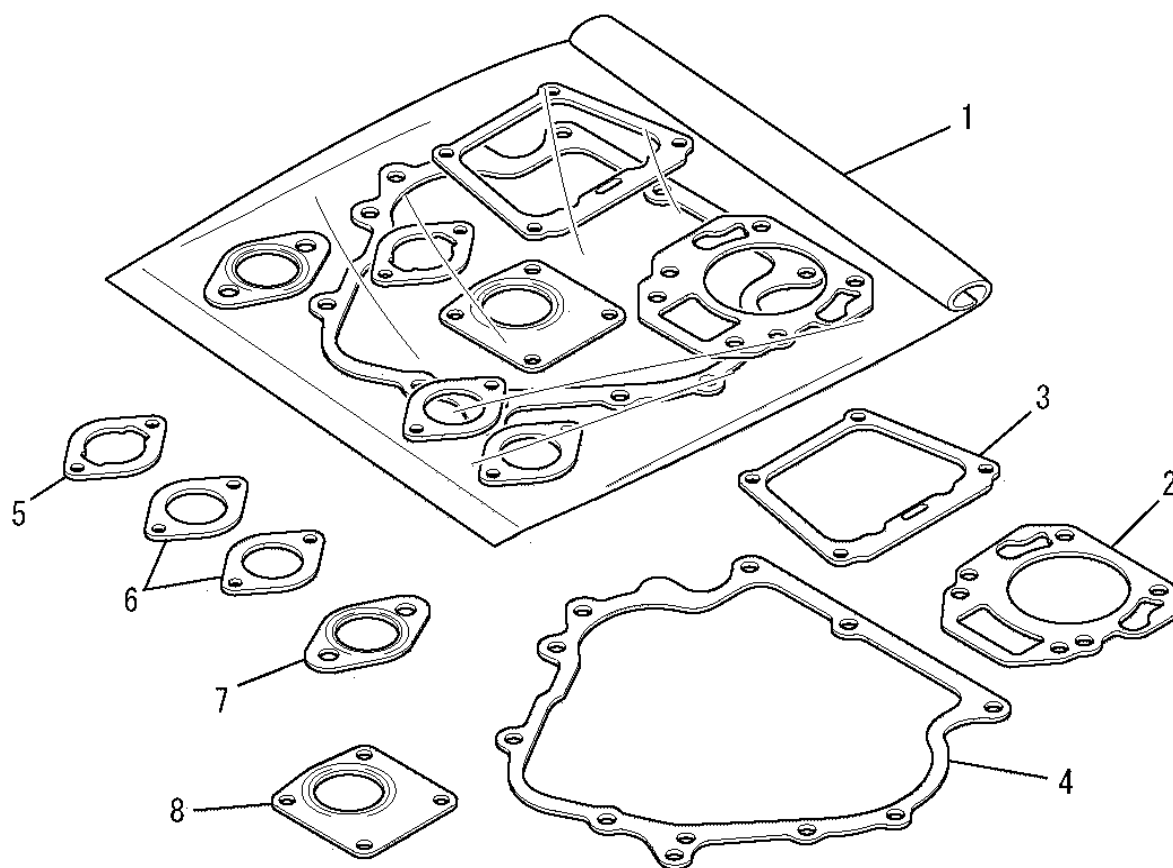
No.	R/N	Parts No.	Parts Name	No. Req'd	Inte	Remarks	Serial No. (From~To)
1		LW55093EA	LABEL	1			
2		LW56315AA	LABEL, CAUTION	1			
3		LW52356BA	LABEL, NAME	1			
4		LP051Y06X220	HOSE, FUEL	1			
5		LP051Y08X500	HOSE, FUEL	1			

4. TOOL SET



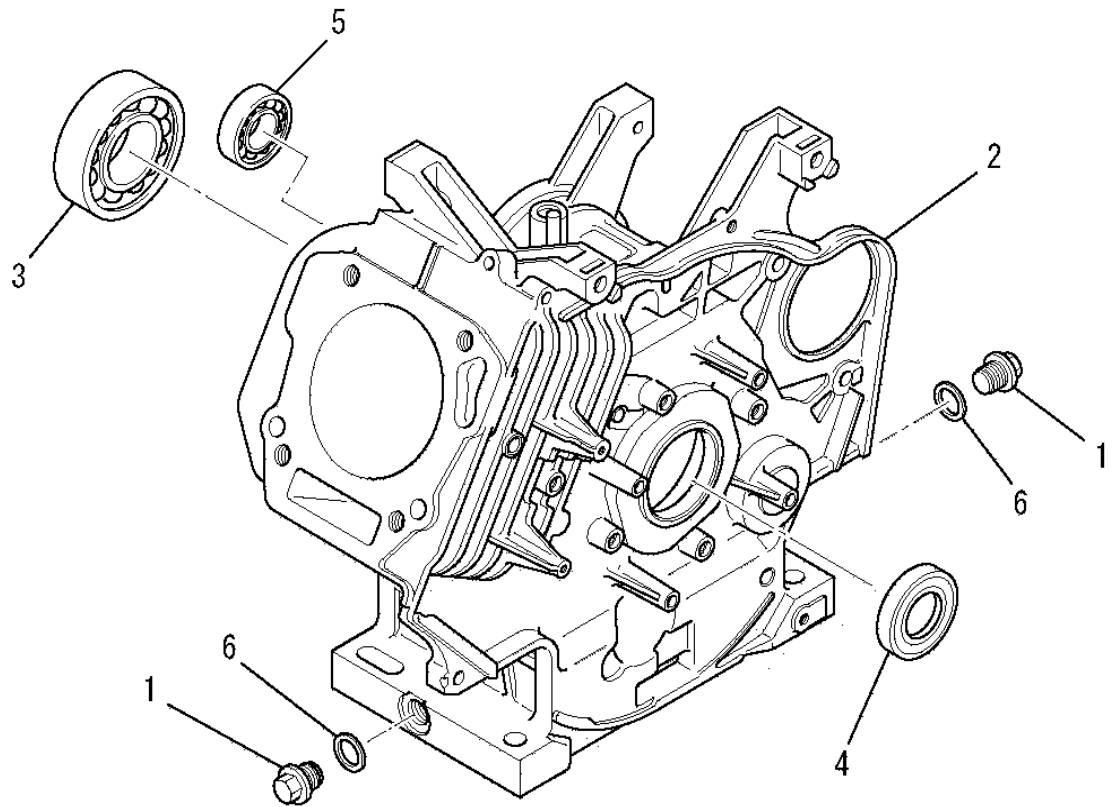
No.	R/N	Parts No.	Parts Name	No. Req'd	Inte	Remarks	Serial No. (From~To)
1		LN12015EA	SPANNER, BOX	1			
2		LN13003AA	DRIVER, SCREW	1			
3		LN11002AA	SPANNER	1			
4		LW405B07X045	KEY, SUNK	1			

5. GASKET SET



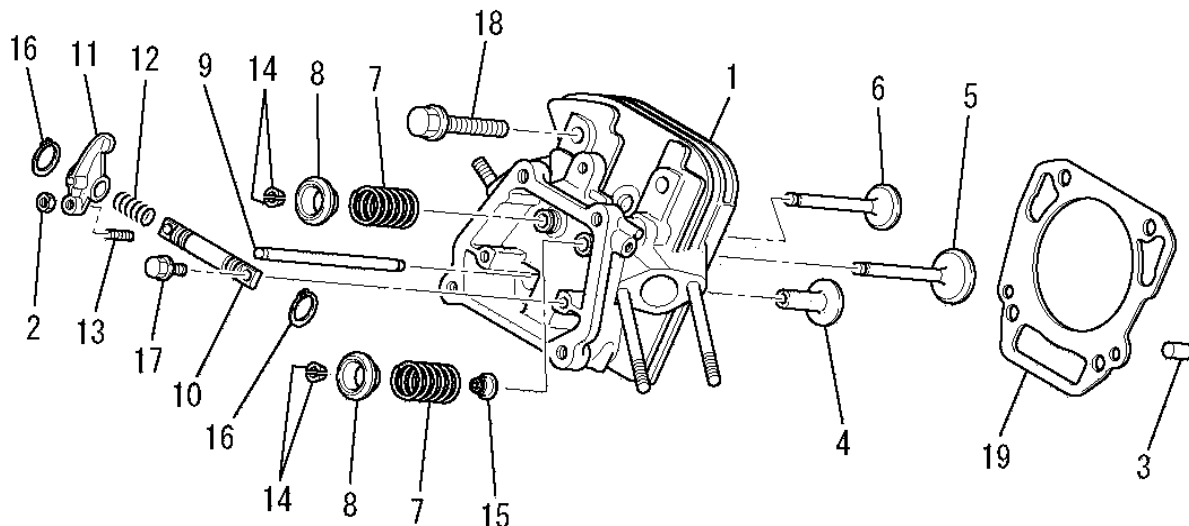
No.	R/N	Parts No.	Parts Name	No. Req'd	Inte	Remarks	Serial No. (From~To)
1		LW39121AA	GASKET SET	1		INCL. NO. 2-8	
2		LC68002AA	GASKET, HEAD	1			
3		LW33003AA	GASKET, HEAD COVER	1			
4		LW31010AA	GASKET, CRANKCASE	1			
5		LW34055AA	GASKET, CARBURETOR	1			
6		LW34052AA	GASKET, CARBURETOR	2			
7		LM70056AA	GASKET, MUFFLER	1			
8		LM70057AA	GASKET, MUFFLER	1			

(A) CYLINDER BLOCK GROUP



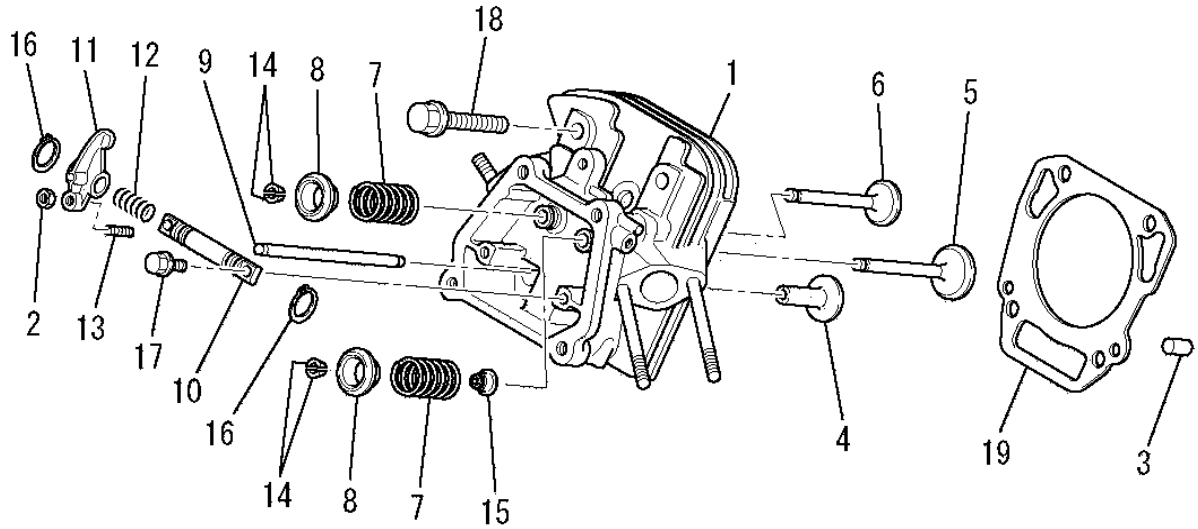
No.	R/N	Parts No.	Parts Name	No. Req'd	Inte	Remarks	Serial No. (From~To)
1		LL22010AA	PLUG, DRAIN	2			
2		LB47002AA	CYLINDER BLOCK	1			
3		LW11006AA	BEARING, BALL	1			
4		LW29002AA	OIL SEAL	1			
5		LS111X62X030	BEARING, BALL	1		#6203	
6		LZZ70013A	GASKET	2			

(B) CYLINDER HEAD GROUP



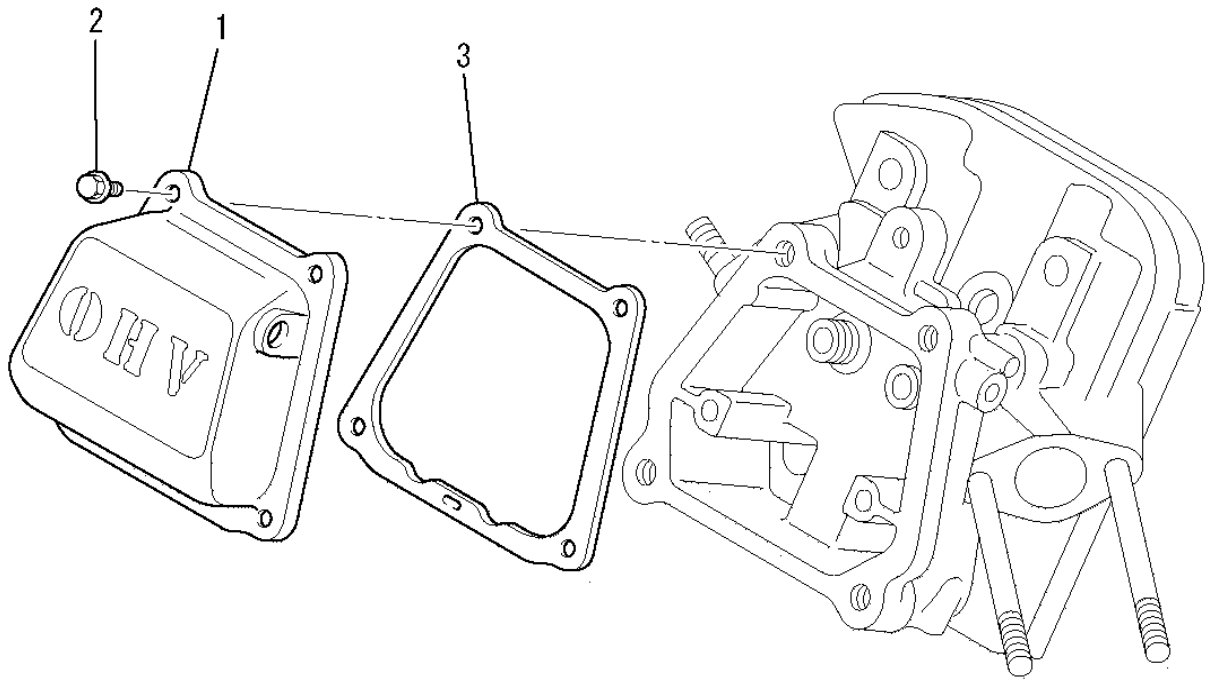
No.	R/N	Parts No.	Parts Name	No. Req'd	Inte	Remarks	Serial No. (From~To)
1		LC02071AA	CYLINDER HEAD ASSY	1		WITH LB151B06095	
2		LFR46870	NUT	2			
3		LU44001AA	PIN, DOWEL	2			
4		LV25001AA	TAPPET	2			
5		LV37003AA	VALVE, INTAKE	1			
6		LV45009AA	VALVE, EXHAUST	1			
7		LV56002AA	SPRING, VALVE	2			
8		LV68003AA	RETAINER, VALVE SPG	2			
9		LV71007AA	ROD, PUSH	2			
10		LV72004AA	SHAFT, ROCKER ARM	1			
11		LV72018AA	ARM, ROCKER	2			
12		LV72006AA	SPRING, ROCKER SHAFT	1			

(B) CYLINDER HEAD GROUP



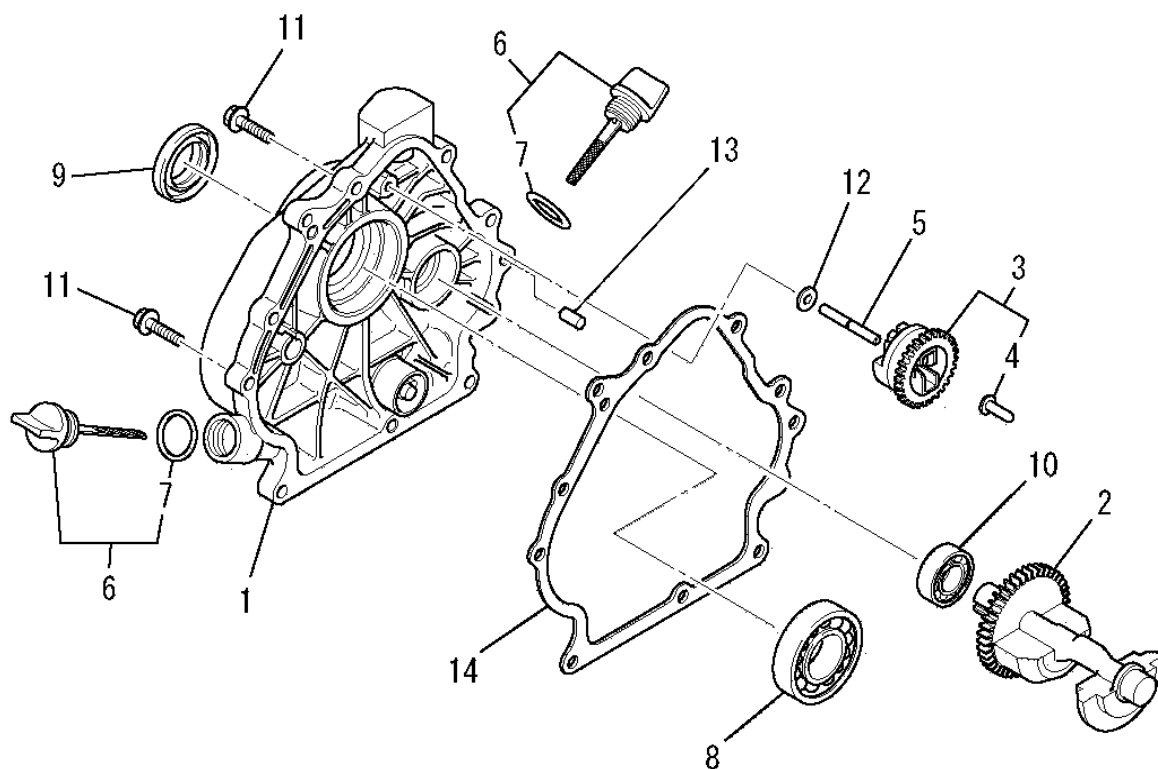
No.	R/N	Parts No.	Parts Name	No. Req'd	Inte	Remarks	Serial No. (From~To)
13		LV73003AA	SCREW, ADJUST	2			
14		LV75010AA	COTTER	4			
15		LW21024AA	SEAL, VALVE STEM	1			
16		LS510P12	SNAP RING	2			
17		LB800B06020	BOLT, FLANGE	2			
18		LB800B10065	BOLT, FLANGE	4			
19		LC68002AA	GASKET, HEAD	1			

(C) HEAD COVER GROUP



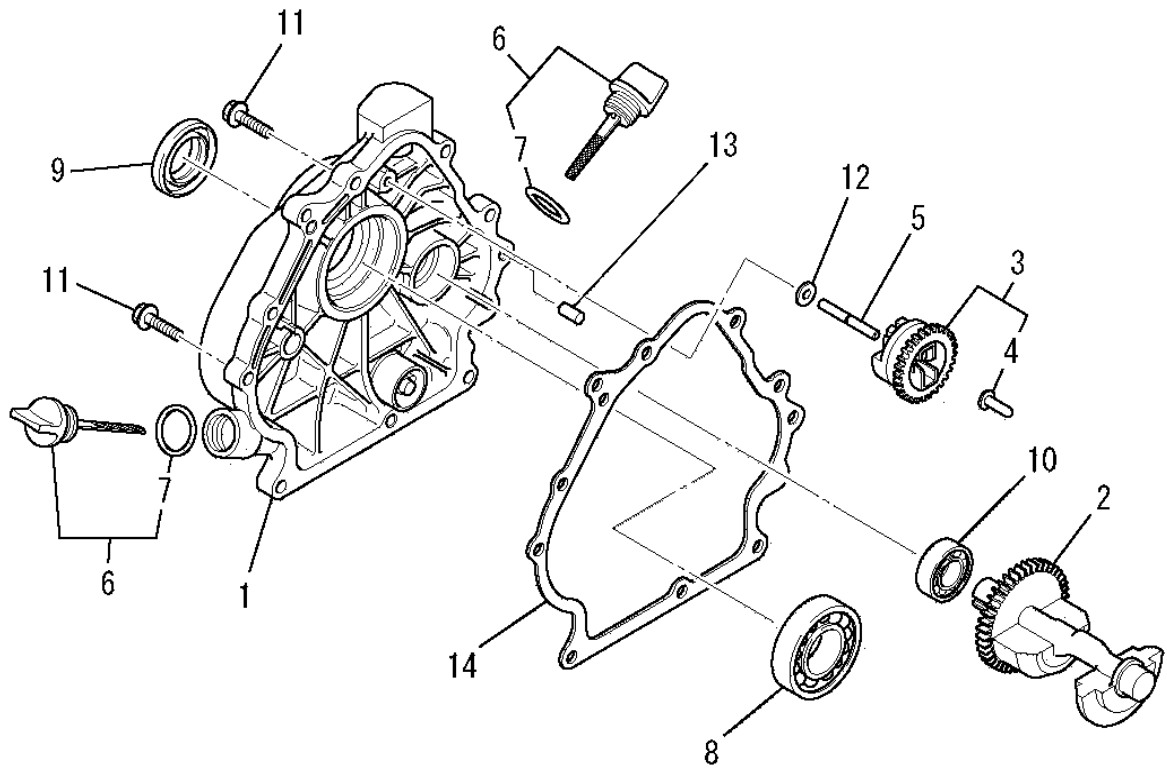
No.	R/N	Parts No.	Parts Name	No. Req'd	Inte	Remarks	Serial No. (From~To)
1		LC09017AA	HEAD COVER ASSY	1			
2		LB800A06012	BOLT, FLANGE	4			
3		LW33003AA	GASKET, HEAD COVER	1			

(D) CASE COVER GROUP



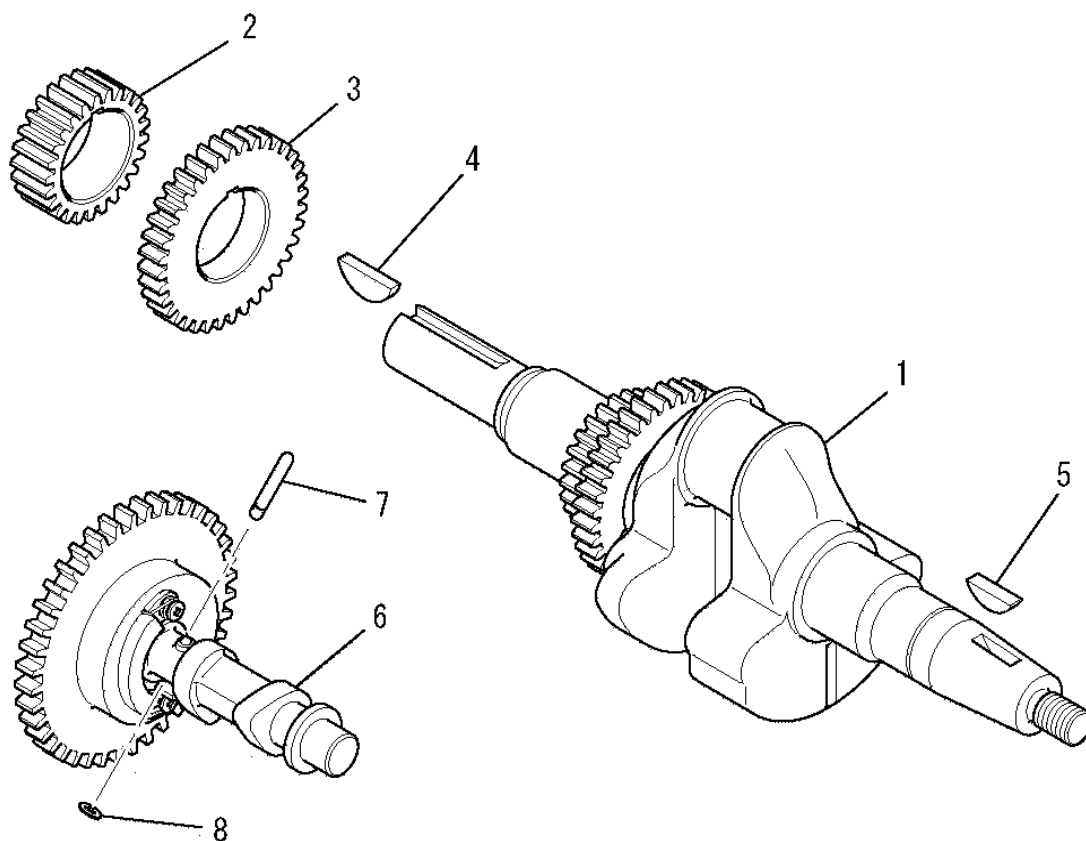
No.	R/N	Parts No.	Parts Name	No. Req'd	Inte	Remarks	Serial No. (From~To)
1		LB67005EA	COVER, CRANKCASE	1			
2		LD51005AA	SHAFT, BALANCER	1			
3		LG01008CA	GOVERNOR GEAR ASSY	1		INCL. NO. 4	
4		LG14005AA	SLIDER, GOV	1			
5		LG22022AA	SHAFT, GOV	1			
6		LL21018AA	GAUGE, OIL	2		INCL. NO. 7	
7		LW29006AA	O-RING	2			
8		LW11006AA	BEARING, BALL	1			
9		LW29002AA	OIL SEAL	1			
10		LS111X62X030	BEARING, BALL	1		#6203	
11		LB800B08030	BOLT, FLANGE	9			
12		LFA28247	SPACER	1			

(D) CASE COVER GROUP



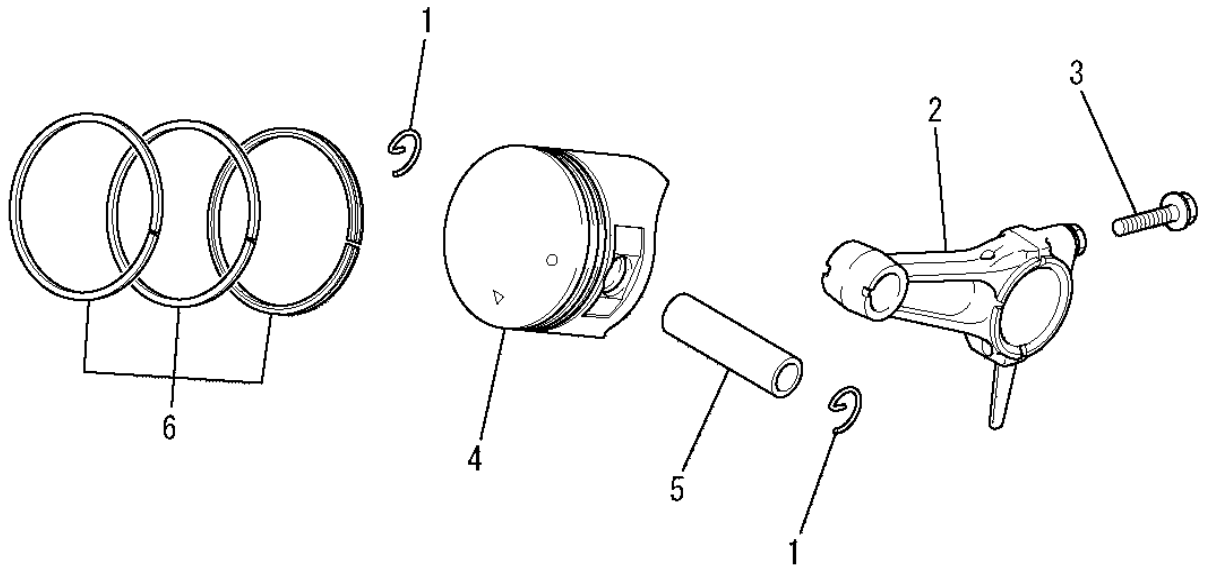
No.	R/N	Parts No.	Parts Name	No. Req'd	Inte	Remarks	Serial No. (From~To)
13		LU44001AA	PIN, DOWEL	2			
14		LW31010AA	GASKET, CRANKCASE	1			

(E) CRANKSHAFT GROUP



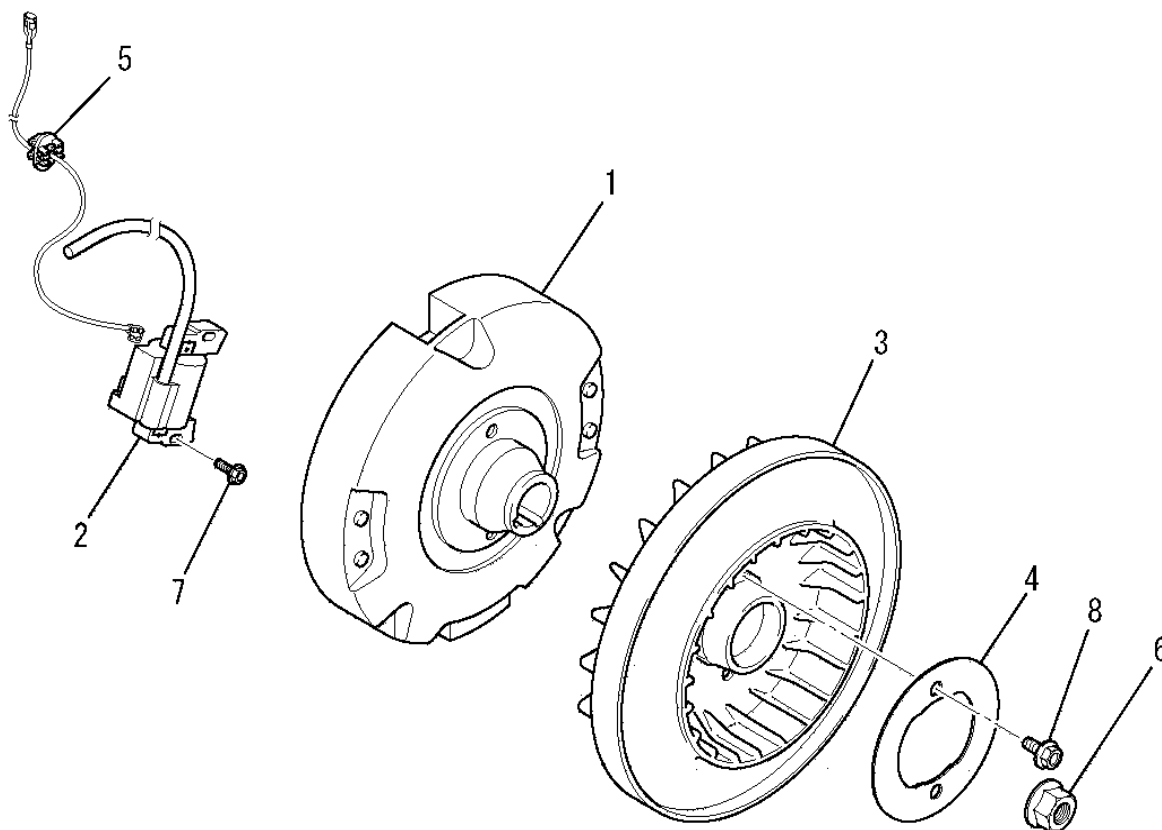
No.	R/N	Parts No.	Parts Name	No. Req'd	Inte	Remarks	Serial No. (From~To)
1		LD02091AA	CRANKSHAFT ASSY	1		INCL. NO. 2-4	
2		LD63057BA	GEAR, CRANKSHAFT	1			
3		LD63058BA	GEAR, CRANKSHAFT	1			
4		LD90012AA	KEY, WOODRUFF	1			
5		LW430B05X016	KEY, WOODRUFF	1			
6		LV01231AA	CAMSHAFT ASSY	1		INCL. NO. 7, 8	
7		LV83010FA	PIN	1			
8		LS500P03	SNAP RING	1			

(F) PISTON & ROD GROUP



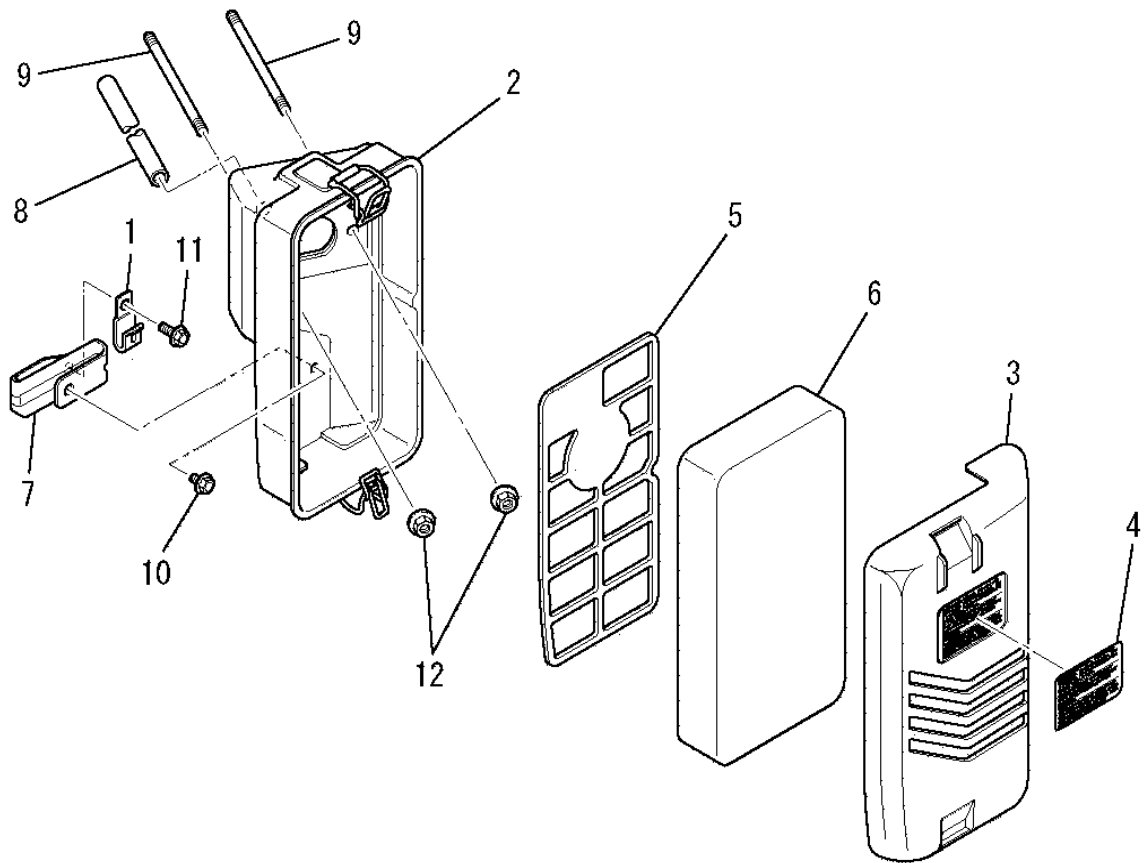
No.	R/N	Parts No.	Parts Name	No. Req'd	Inte	Remarks	Serial No. (From~To)
1		LP90005AA	CLIP, PISTON PIN	2			
2		LD03033AA	CONNECTING ROD ASSY	1		STD INCL. NO. 3	
2	1	LD03033BA	CONNECTING ROD ASSY	1		US 0.25 INCL. NO. 3	
2	2	LD03033CA	CONNECTING ROD ASSY	1		US 0.50 INCL. NO. 3	
3		LD70001AA	BOLT	2			
4		LP18005AA	PISTON	1		STD	
4	1	LP18005BA	PISTON	1		OS 0.25	
4	2	LP18005CA	PISTON	1		OS 0.50	
5		LP58003AA	PIN, PISTON	1			
6		LP02022AA	PISTON RING SET	1		STD	
6	1	LP02022BA	PISTON RING SET	1		OS 0.25	
6	2	LP02022CA	PISTON RING SET	1		OS 0.50	

(G) MAGNETO GROUP



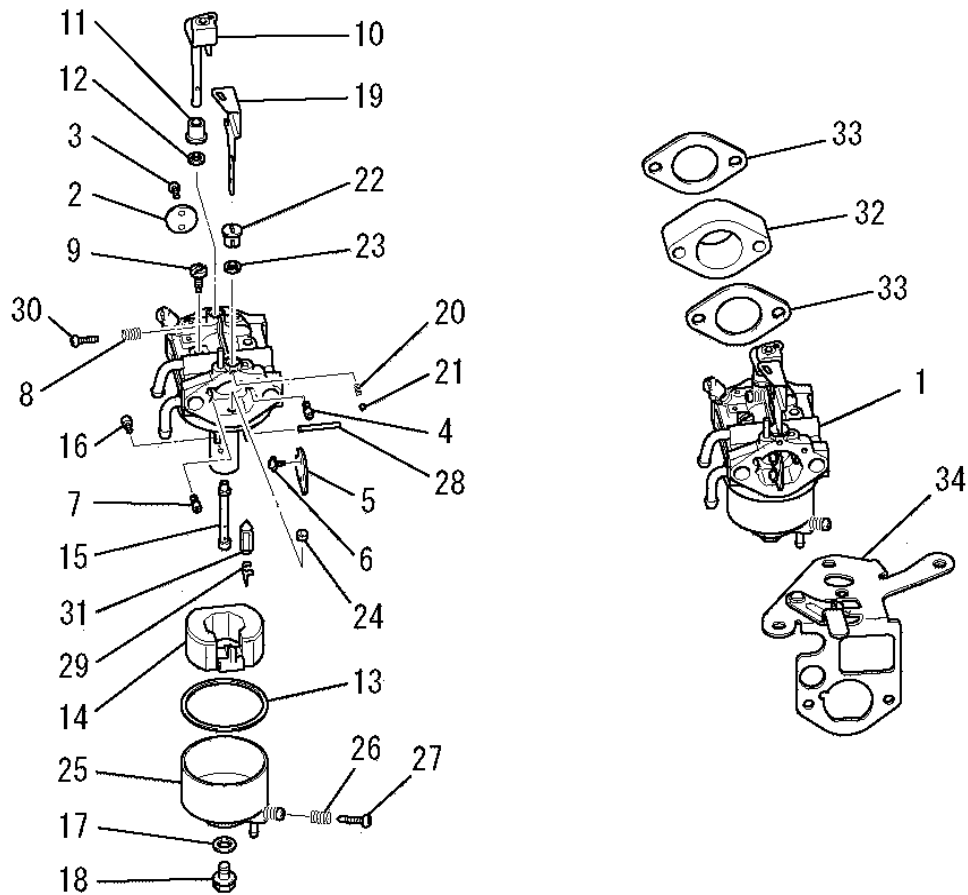
No.	R/N	Parts No.	Parts Name	No. Req'd	Inte	Remarks	Serial No. (From~To)
1		LE12018AA	FLYWHEEL	1			
2		LE24025AA	COIL, IGNITION	1			
3		LE90320AA	FAN	1			
4		LE90321AA	RETAINER	1			
5		LU70007AA	CLIP	1			
6		LU27002AA	NUT, FLANGE	1			
7		LU12075AA	SCREW	2			
8		LU14036AA	BOLT, FLANGE	2			

(H) AIR CLEANER GROUP



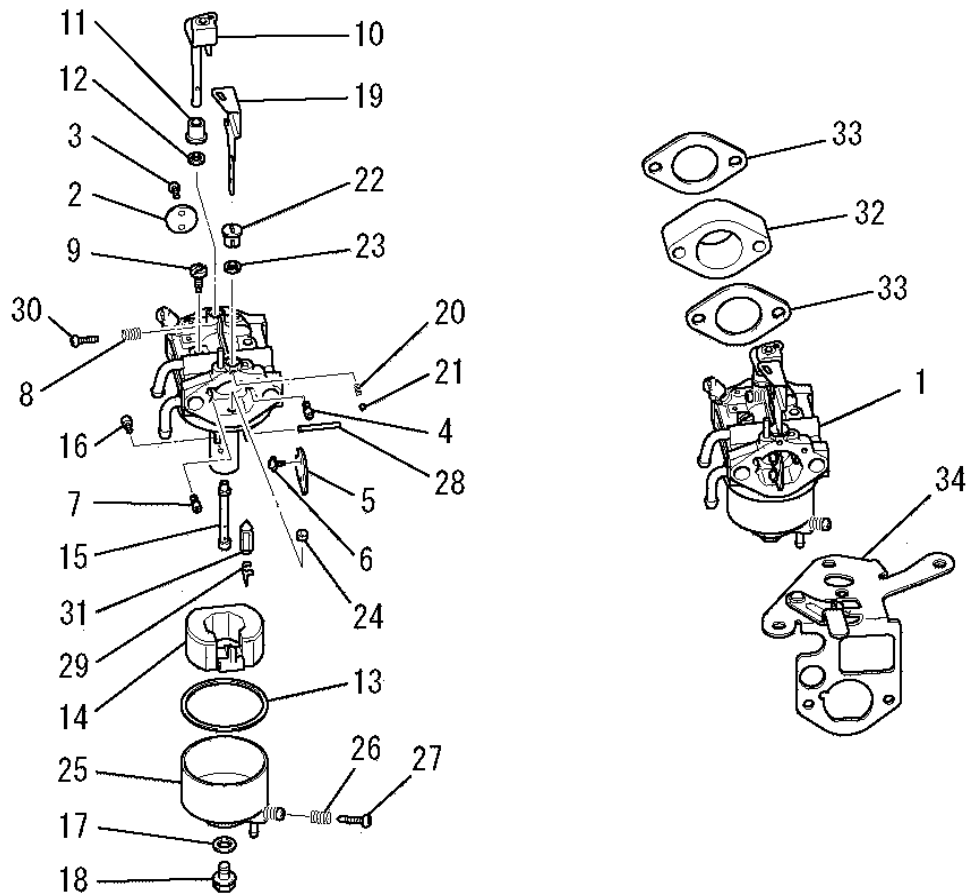
No.	R/N	Parts No.	Parts Name	No. Req'd	Inte	Remarks	Serial No. (From~To)
1		LFR64917A	CLAMP	1			
2		LA11042AA	CASE, CLEANER	1			
3		LA20045AA	COVER, CLEANER	1		INCL. NO. 4	
4		LFA24115	LABEL, INSTRUCTION	1			
5		LA30016AA	GRID	1			
6		LA40059AA	ELEMENT, CLEANER	1			
7		LA90183AA	BRACKET	1			
8		LL41005FA	TUBE, BREATHER	1			
9		LB151B06095	BOLT, STUD	2			
10		LB800A06008	BOLT, FLANGE	1			
11		LB800B06016	BOLT, FLANGE	1			
12		LN801A06	NUT, FLANGE	2			

(I) CARBURETOR GROUP



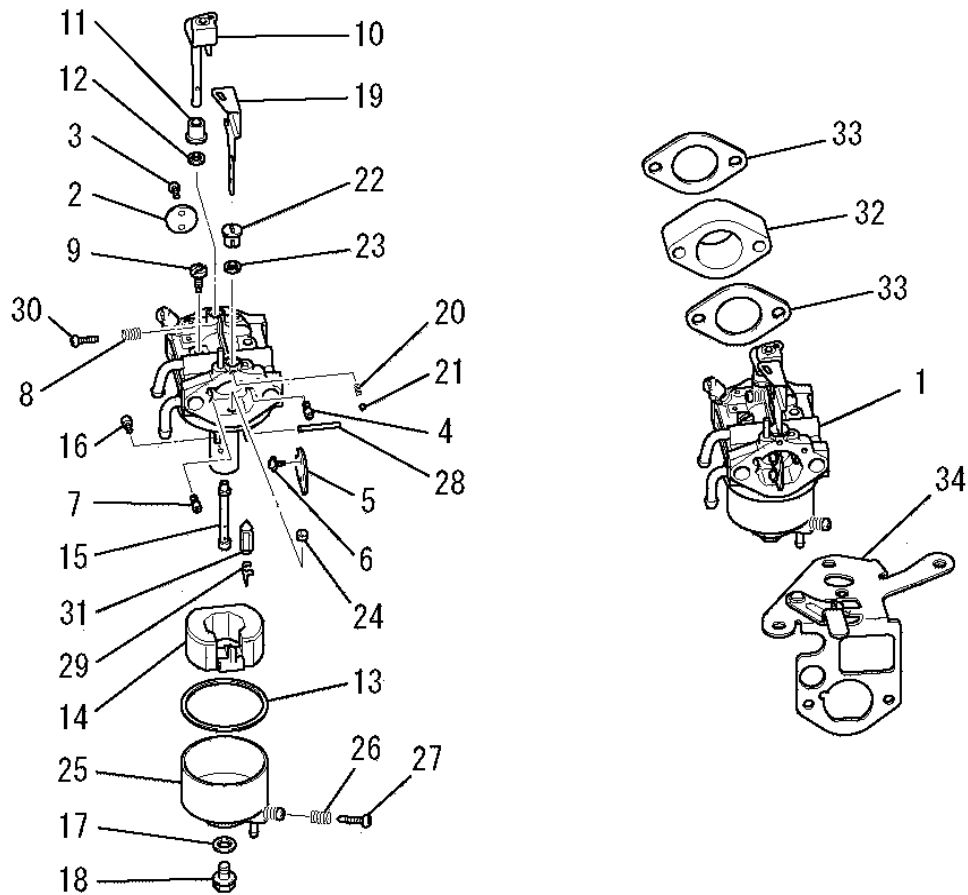
No.	R/N	Parts No.	Parts Name	No. Req'd	Inte	Remarks	Serial No. (From~To)
1		LK16034AA	CARBURETOR (F)	1		INCL. NO. 2-31	
2		LK16009AA002	VALVE, THROTTLE	1			
3		LK16009AA003	SCREW	2			
4		LK15001AA026	JET	1			
5		LK16009AA005	VALVE, CHOKE	1			
6		LK15016AA005	SCREW	2			
7		LK16009AA007	JET	1			
8		LK13003AA008	SPRING	1			
9		LK74508BC425	JET, PILOT	1			
10		LK16009AA011	SHAFT, THROTTLE	1			
11		LK16009AA012	RING	1			
12		LK12008AE016	SEAL	1			

(I) CARBURETOR GROUP



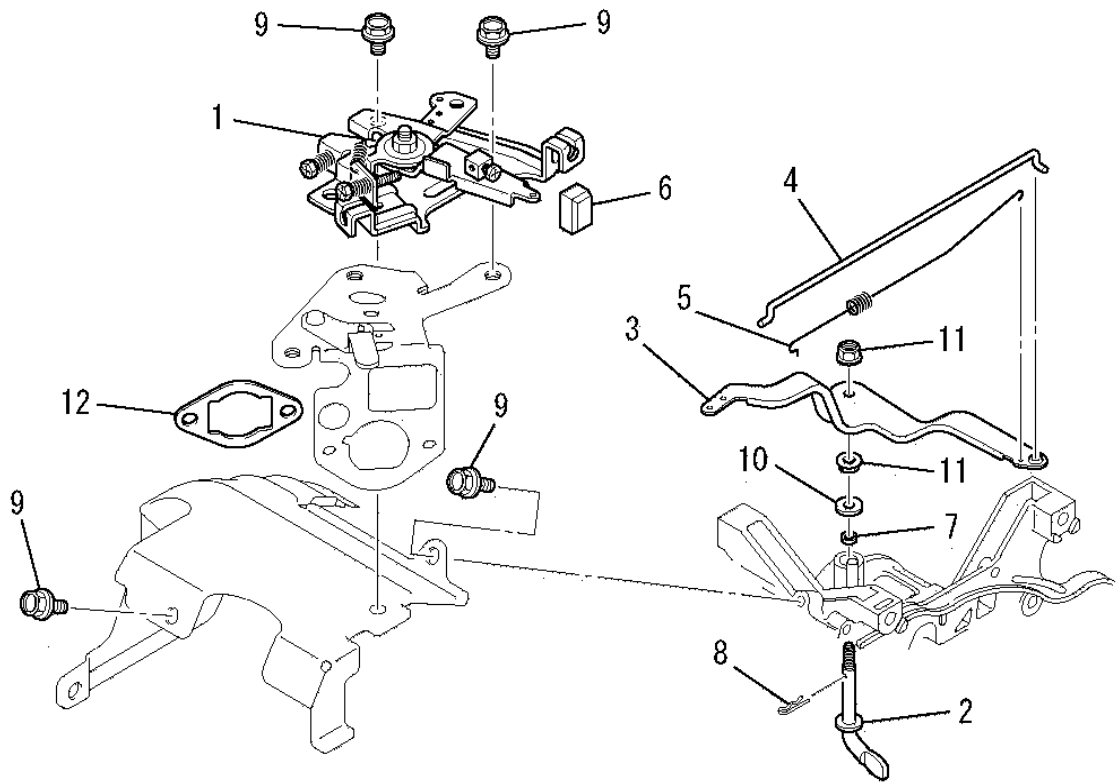
No.	R/N	Parts No.	Parts Name	No. Req'd	Inte	Remarks	Serial No. (From~To)
13		LK15003AE014	PACKING	1			
14		LK15003AE015	FLOAT	1			
15		LK74524BA027	NOZZLE, MAIN	1			
16		LK74525CA075	JET, MAIN	1			
17		LFA27080X013	PACKING	1			
18		LK16009AA019	BOLT	1			
19		LK16009AA020	LEVER, CHOKE	1			
20		LK16009AA021	SPRING	1			
21		LK16009AA022	BALL, STEEL	1			
22		LK13002AA017	RING	1			
23		LK13002AA028	SEAL	1			
24		LK15001AA014	RING	1			

(I) CARBURETOR GROUP



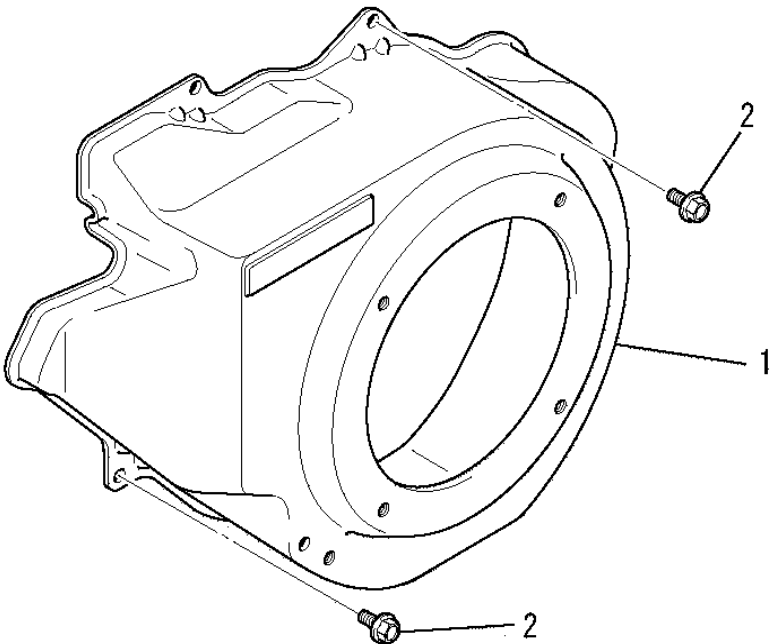
No.	R/N	Parts No.	Parts Name	No. Req'd	Inte	Remarks	Serial No. (From~To)
25		LK15005DA025	CHAMBER, FLOAT	1		INCL. NO. 26, 27	
26		LK13003AA008	SPRING	1			
27		LK15001AA018	SCREW	1			
28		LK15001AA016	PIN	1			
29		LK12008AE011	CLIP	1			
30		LK16009AA030	SCREW	1			
31		LK15001AA015	NEEDLE, MAIN	1			
32		LK34002AA	INSULATOR	1			
33		LW34052AA	GASKET, CARBURETOR	2			
34		LK09015AA	CHOKE LEVER ASSY	1			

(J) CONTROL PANEL GROUP



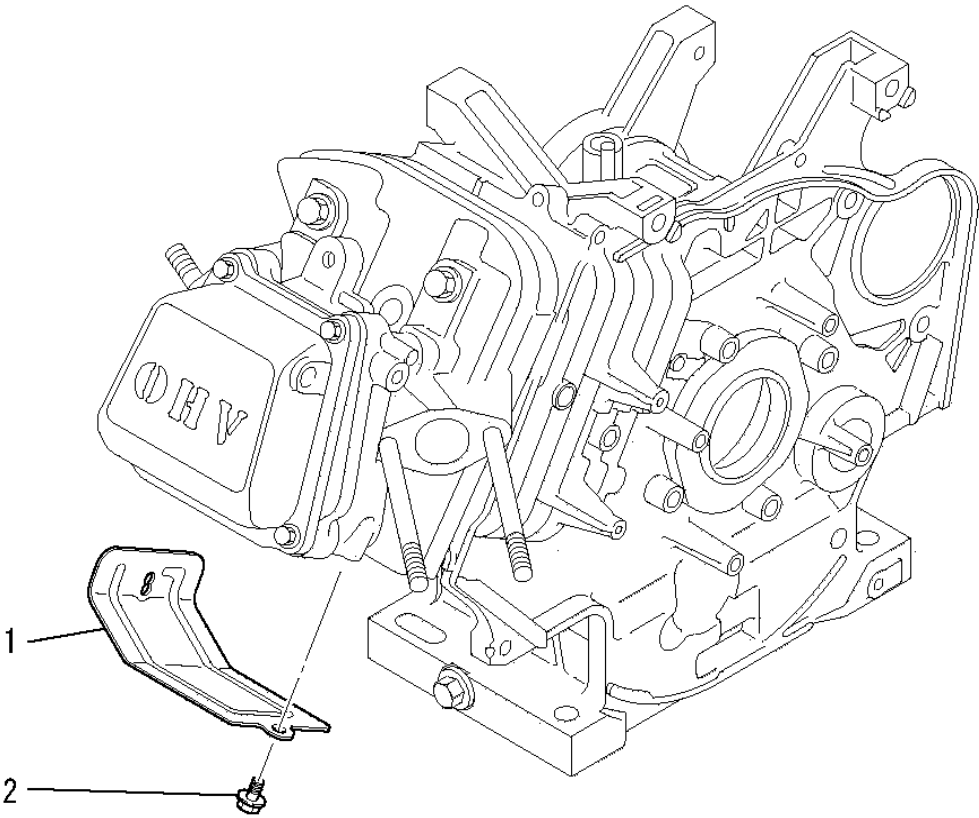
No.	R/N	Parts No.	Parts Name	No. Req'd	Inte	Remarks	Serial No. (From~To)
1		LG03059BA	PANEL, CONTROL	1			
2		LG22026AA	SHAFT, GOV	1			
3		LG31032AA	LEVER, GOV	1			
4		LG41032AA	ROD, GOV	1			
5		LG42039AA	SPRING, ROD	1			
6		LG90014AA	CAP	1			
7		LG90016AA	SEAL, DUST	1			
8		LU70006AA	CLIP	1			
9		LB800A06012	BOLT, FLANGE	5			
10		LG90015AA	WASHER	1			
11		LU24002AA	NUT	2			
12		LW34055AA	GASKET, CARBURETOR	1			

(K) FAN COVER GROUP



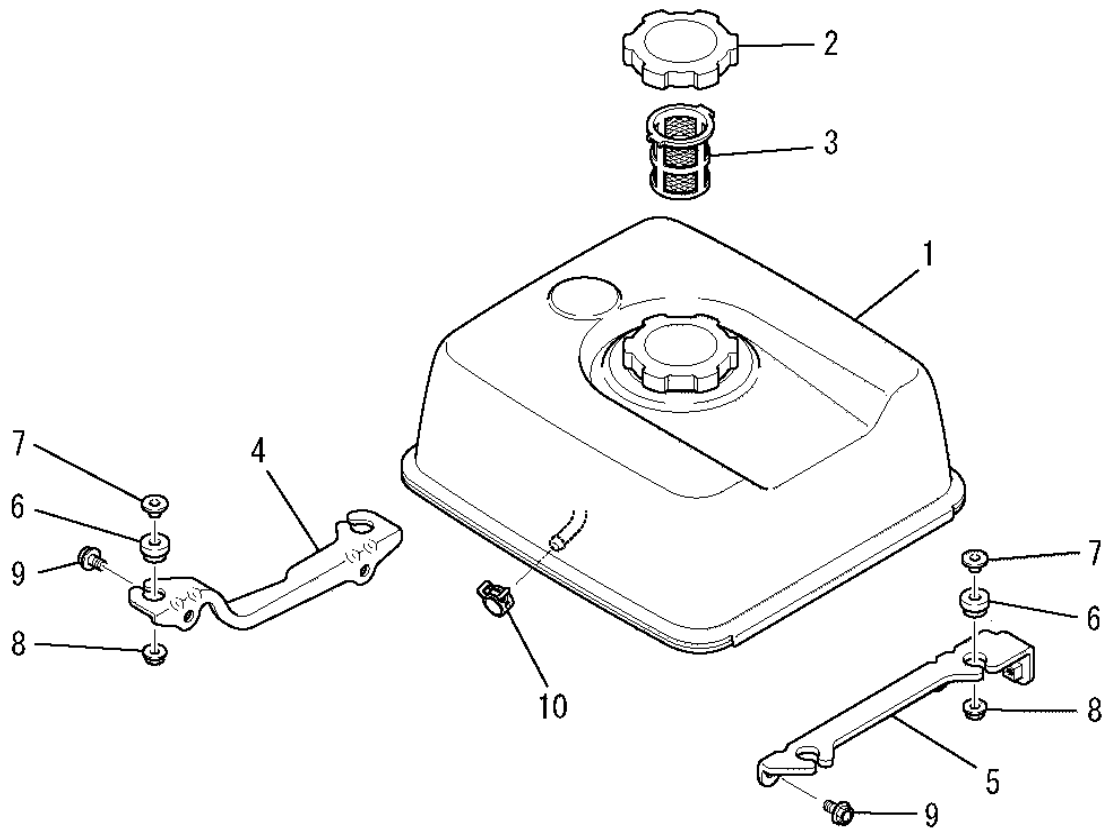
No.	R/N	Parts No.	Parts Name	No. Req'd	Inte	Remarks	Serial No. (From~To)
1		LH28026AA	COVER, FAN	1			
2		LB800A06012	BOLT, FLANGE	4			

(L) CYLINDER COVER GROUP



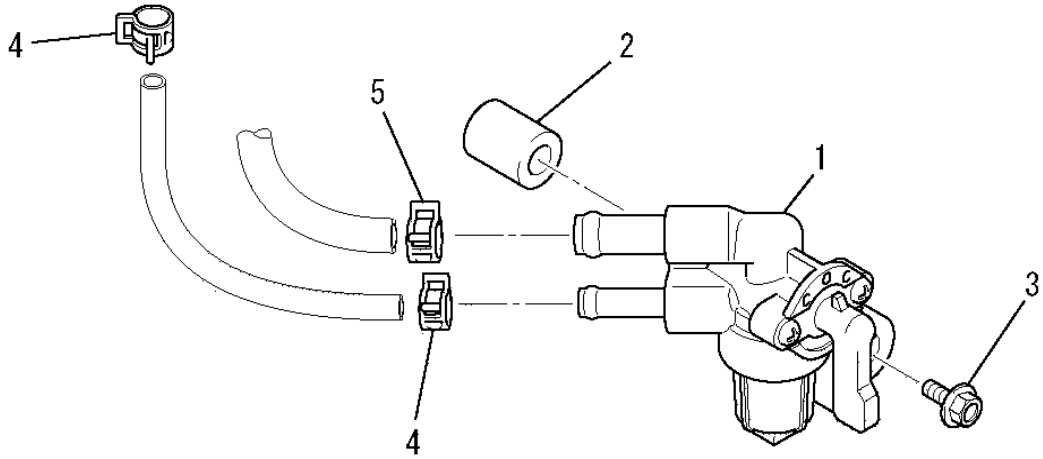
No.	R/N	Parts No.	Parts Name	No. Req'd	Inte	Remarks	Serial No. (From~To)
1		LH40020AA	COVER, CYLINDER	1			
2		LB800A06012	BOLT, FLANGE	2			

(M) TANK GROUP



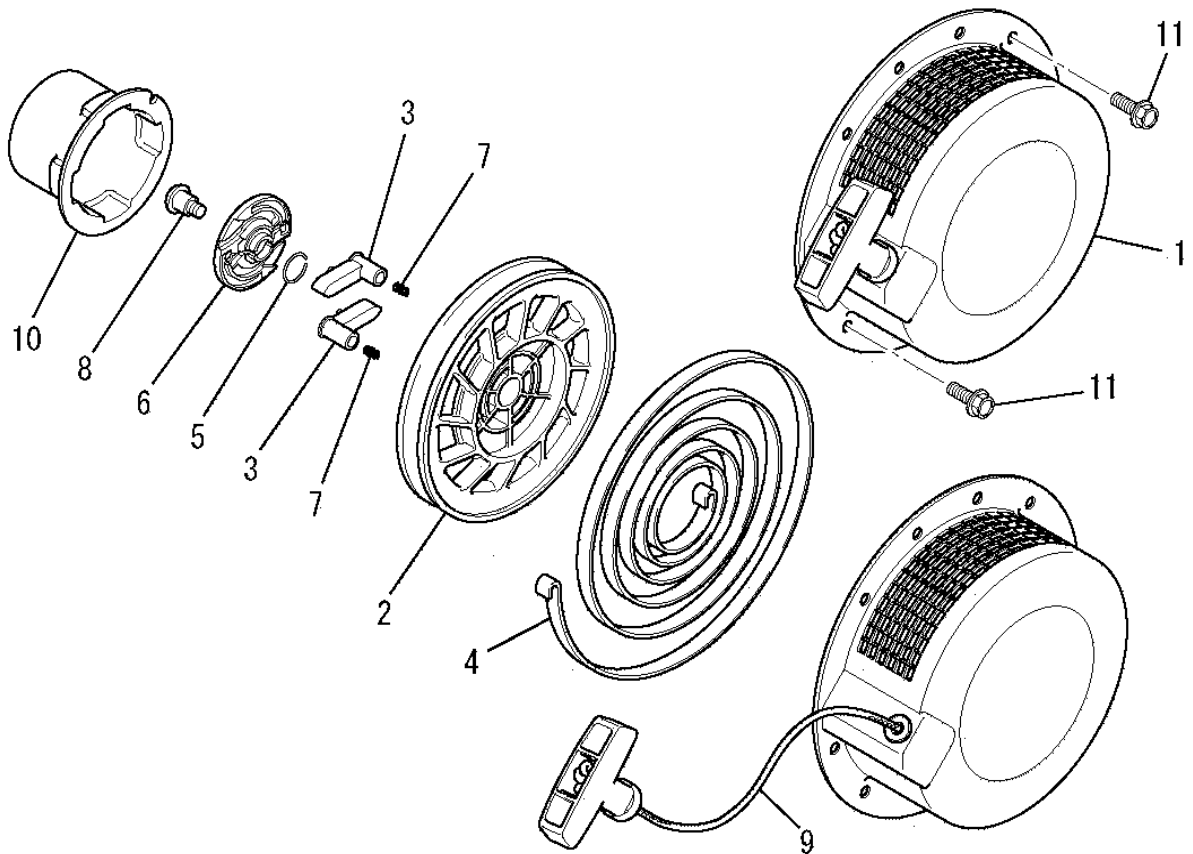
No.	R/N	Parts No.	Parts Name	No. Req'd	Inte	Remarks	Serial No. (From~To)
1		LF04147AD	FUEL TANK ASSY	1		INCL. NO. 2, 3	
2		LF22003AA	CAP, FUEL TANK	1			
3		LF40016AA	FILTER, FUEL	1			
4		LF59028AA	BRACKET, TANK	1			
5		LF59029AA	BRACKET, TANK	1			
6		LU50041AA	BUSH	4			
7		LU50042AA	SPACER	4			
8		LN801A06	NUT, FLANGE	4			
9		LB800A06016	BOLT, FLANGE	4			
10		LU70021AA	CLIP	1			

(N) COCK GROUP



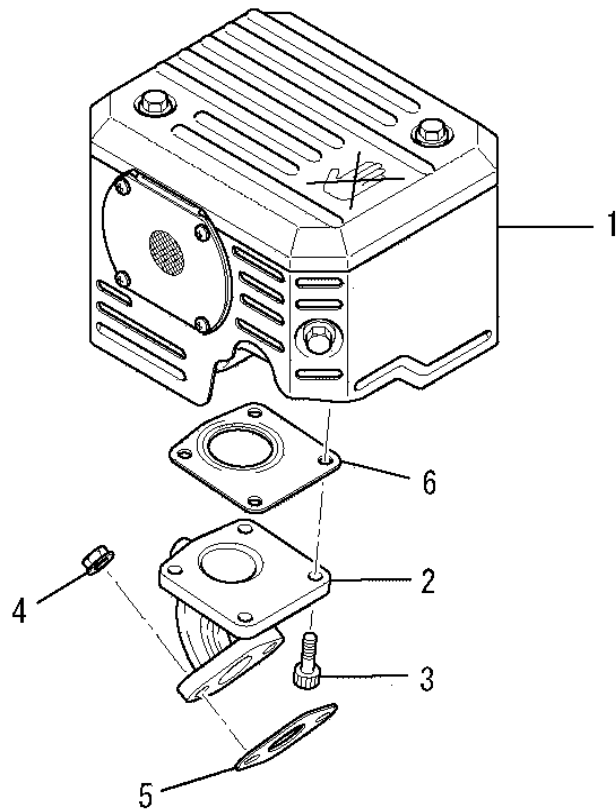
No.	R/N	Parts No.	Parts Name	No. Req'd	Inte	Remarks	Serial No. (From~To)
1		LF31036BA	COCK, FUEL	1			
2		LF90105AA	SPACER	1			
3		LB800A06025	BOLT, FLANGE	1			
4		LU70020AA	CLIP	2			
5		LU70021AA	CLIP	1			

(R) RECOIL STARTER GROUP



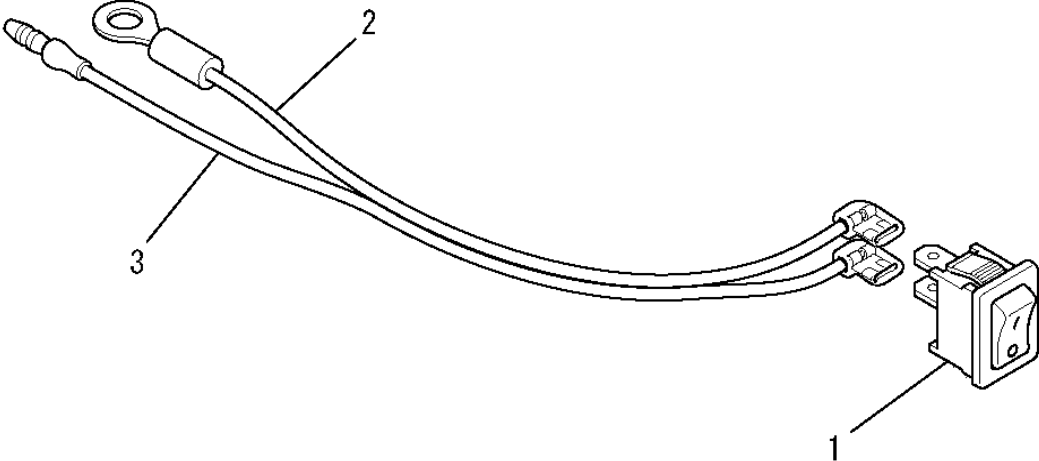
No.	R/N	Parts No.	Parts Name	No. Req'd	Inte	Remarks	Serial No. (From~To)
1		LS20173AD	RECOIL STARTER	1		INCL. NO. 2-9	
2		LS20173AD002	REEL	1			
3		LS20173AD003	RATCHET	2			
4		LS20173AD004	SPRING, SPIRAL	1			
5		LS20173AD005	SPRING, FRICTION	1			
6		LS20173AD006	GUIDE	1			
7		LS20020AD007	SPRING, RETURN	2			
8		LS20020AD008	SCREW	1			
9		LS20173AD009	ROPE ASSY	1			
10		LS30068AA	PULLEY, STARTER	1			
11		LB800A06008	BOLT, FLANGE	4			

(S) MUFFLER GROUP



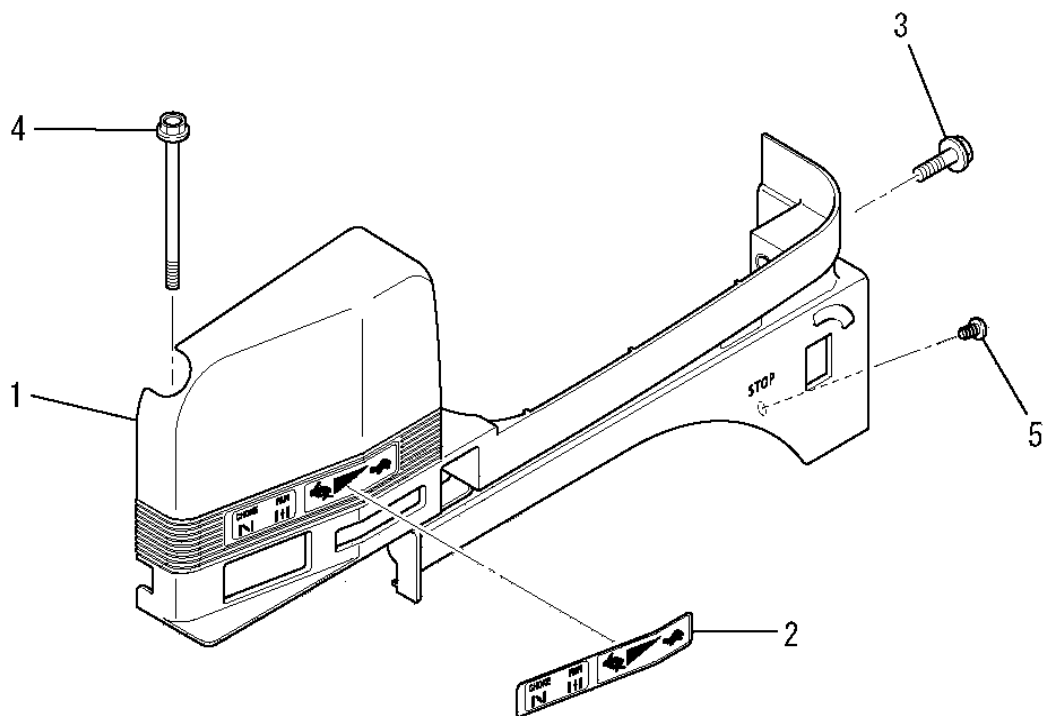
No.	R/N	Parts No.	Parts Name	No. Req'd	Inte	Remarks	Serial No. (From~To)
1		LM02167AA	MUFFLER ASSY	1			
2		LM30019AA	PIPE, EXHAUST	1			
3		LB121C06016	BOLT, SCH	4			
4		LZZ70028C	NUT, CONICAL SPG	2			
5		LM70056AA	GASKET, MUFFLER	1			
6		LM70057AA	GASKET, MUFFLER	1			

(U) SWITCH GROUP



No.	R/N	Parts No.	Parts Name	No. Req'd	Inte	Remarks	Serial No. (From~To)
1		LE80033BA	SWITCH, STOP	1			
2		LE90190AA	WIRE, LEAD	1			
3		LE90191AA	WIRE, LEAD	1			

(X) COVER GROUP



No.	R/N	Parts No.	Parts Name	No. Req'd	Inte	Remarks	Serial No. (From~To)
1		LR04016AA	COVER, FRONT	1		INCL. NO. 2	
2		LW56067BA	LABEL	1			
3		LB800A06030	BOLT, FLANGE	1			
4		LB800A06090	BOLT, FLANGE	1			
5		LU12025AA	TAP-SCREW	1			