

PARTS CATALOG

MITSUBISHI MEIKI
AIR-COOLED
GASOLINE ENGINE

MODEL GT1000PNRTX

DEC., 2010

MITSUBISHI HEAVY INDUSTRIES, LTD.

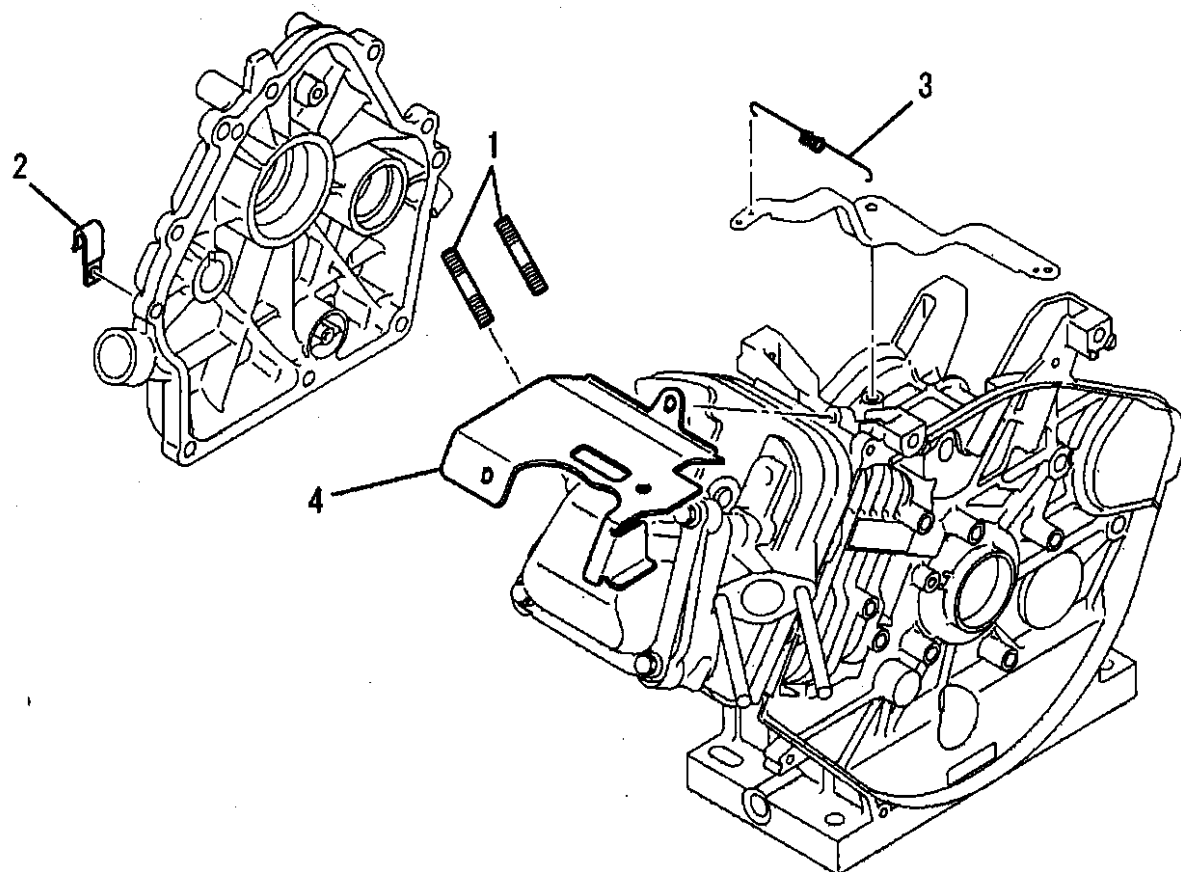
INDEX

Page No.	No.	Parts No.	Page No.	No.	Parts No.
1	1	LB151B08020	9	1	LC09017AA
1	2	LFR56780	9	2	LB800A06012
1	3	LG34054AA	9	3	LW33002AA
1	4	LH40037AA	10	1	LFA29008
2	1	LE90069AA	10	2	LB66011AB
2	2	LE41017AA	10	3	LD51008BA
2	3	LE42045AA	10	4	LG01008BA
3	1	LW55093DA	10	5	LG14005AA
3	2	LW56315AA	10	6	LG22022AA
3	3	LW52356AA	10	7	LL21019AA
3	4	LP051Y04X220	10	8	LW29006AA
3	5	LP051Y08X470	10	9	LS111X62X030
4	1	LN12015EA	10	10	LS111X62X060
4	2	LN13003AA	10	11	LB800B08030
4	3	LN11002AA	10	12	LU44001AA
4	4	LW405B07X045	11	13	LW200H06
5	1	LW39120AA	11	14	LW31007AA
5	2	LW33002AA	12	1	LD02090AA
5	3	LC66017AA	12	2	LD63057AA
5	4	LW31007AA	12	3	LD63058AA
5	5	LW34001AA	12	4	LD90012AA
5	6	LW34005AA	12	5	LW430B05X016
5	7	LM70084AA	12	6	LV01229AA
6	1	LFA28011	12	7	LV83010FA
6	2	LB46008AA	12	8	LS500P03
6	3	LL22010AA	13	1	LP90006AA
6	4	LS111X62X030	13	2	LD03035AA
6	5	LS111X62X060	13	2	LD03035BA
6	6	LZZ70013A	13	2	LD03035CA
7	1	LC02070AA	13	3	LD70001AA
7	2	LU23009AA	13	4	LP17008AA
7	3	LU44001AA	13	4	LP17008BA
7	4	LV24012AA	13	4	LP17008CA
7	5	LV35005AA	13	5	LP57002AA
7	6	LV45008AA	13	6	LP02021AA
7	7	LV55006AA	13	6	LP02021BA
7	8	LV65004AA	13	6	LP02021CA
7	9	LV71004AA	14	1	LE12044AA
7	10	LV72003AA	14	2	LE24024AA
7	11	LV73006AA	14	3	LE90073AA
7	12	LV74011AA	14	4	LU70007AA
8	13	LV75006AA	14	5	LB800A06030
8	14	LV75010AA	14	6	LFR41231
8	15	LW21024AA	15	1	LA11041AA
8	16	LB800B10065	15	2	LA20045AA
8	17	LC66017AA	15	3	LFA24115

INDEX

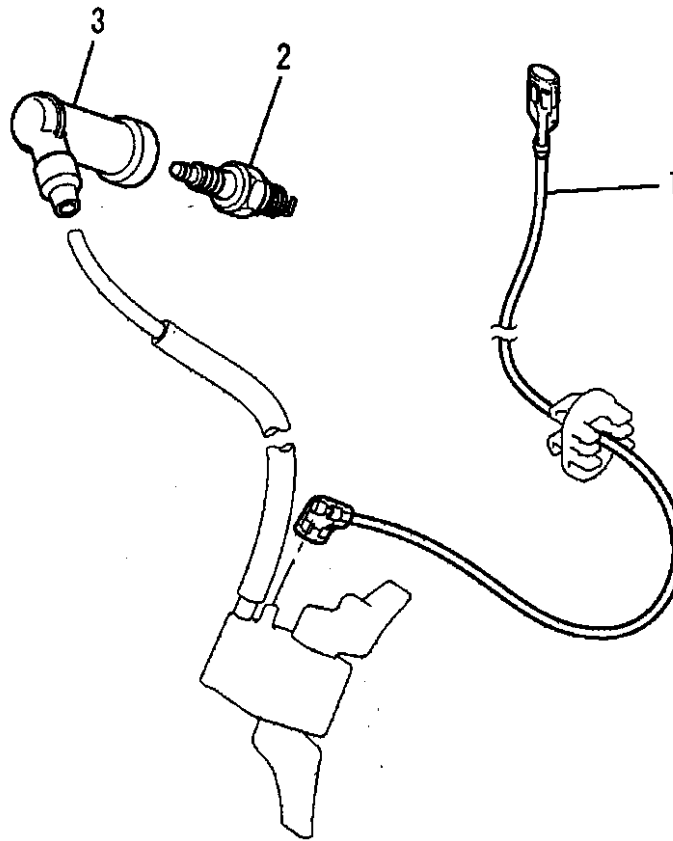
Page No.	No.	Parts No.	Page No.	No.	Parts No.
15	4	LA30016AA	19	7	LG90016AA
15	5	LA40059AA	19	8	LU70006AA
15	6	LA90182AA	19	9	LB800A06012
15	7	LL41005JA	19	10	LG90015AA
15	8	LB151B06085	19	11	LU24002AA
15	9	LB800A06008	19	12	LW34005AA
15	10	LN801A06	20	1	LH28025AA
16	1	LK15045AA	20	2	LB800A06012
16	2	LK15040AA002	21	1	LH40020AA
16	3	LK15016AA003	21	2	LB800A06012
16	4	LK15001AA004	22	1	LF04147AD
16	5	LK15016AA005	22	2	LF22003AA
16	6	LK13003AA008	22	3	LF40016AA
16	7	LK74508BC413	22	4	LF59028AA
16	8	LK15008YX011	22	5	LF59029AA
16	9	LK12008AE015	22	6	LU50041AA
16	10	LK12008AE016	22	7	LU50042AA
16	11	LK15003AE014	22	8	LN801A06
16	12	LK15003AE015	22	9	LB800A06016
17	13	LK74524BB031	22	10	LU70021AA
17	14	LK74525CC975	23	1	LF31036AA
17	15	LFA27080X013	23	2	LF90105AA
17	16	LK15003AE019	23	3	LB800A06025
17	17	LK15014AA020	23	4	LU70022AA
17	18	LK12008AE018	23	5	LU70021AA
17	19	LK12008AE019	24	1	LS20173AD
17	20	LK12008AE020	24	2	LS20173AD002
17	21	LK15001AA014	24	3	LS20173AD003
17	22	LK15003AE025	24	4	LS20173AD004
17	23	LK12008AE029	24	5	LS20173AD005
17	24	LK13003AA008	24	6	LS20173AD006
18	25	LK15001AA015	24	7	LS20020AD007
18	26	LK15001AA016	24	8	LS20020AD008
18	27	LK12008AE011	24	9	LS20173AD009
18	28	LK12008AE009	24	10	LS30067AA
18	29	LK12020PA030	24	11	LB800A06008
18	30	LK33009AA	25	1	LM02166AA
18	31	LW34001AA	25	2	LZZ70028C
18	32	LW34005AA	25	3	LM70084AA
18	33	LK09014AA	26	1	LE80033BA
19	1	LG03059BA	26	2	LE90190AA
19	2	LG22025AA	26	3	LE90191AA
19	3	LG31014AA	27	1	LR04015AA
19	4	LG41011AA	27	2	LW56067BA
19	5	LG42038AA	27	3	LB800A06016
19	6	LG90014AA	27	4	LB800A06030

1. BOLT, SPRING, COVER



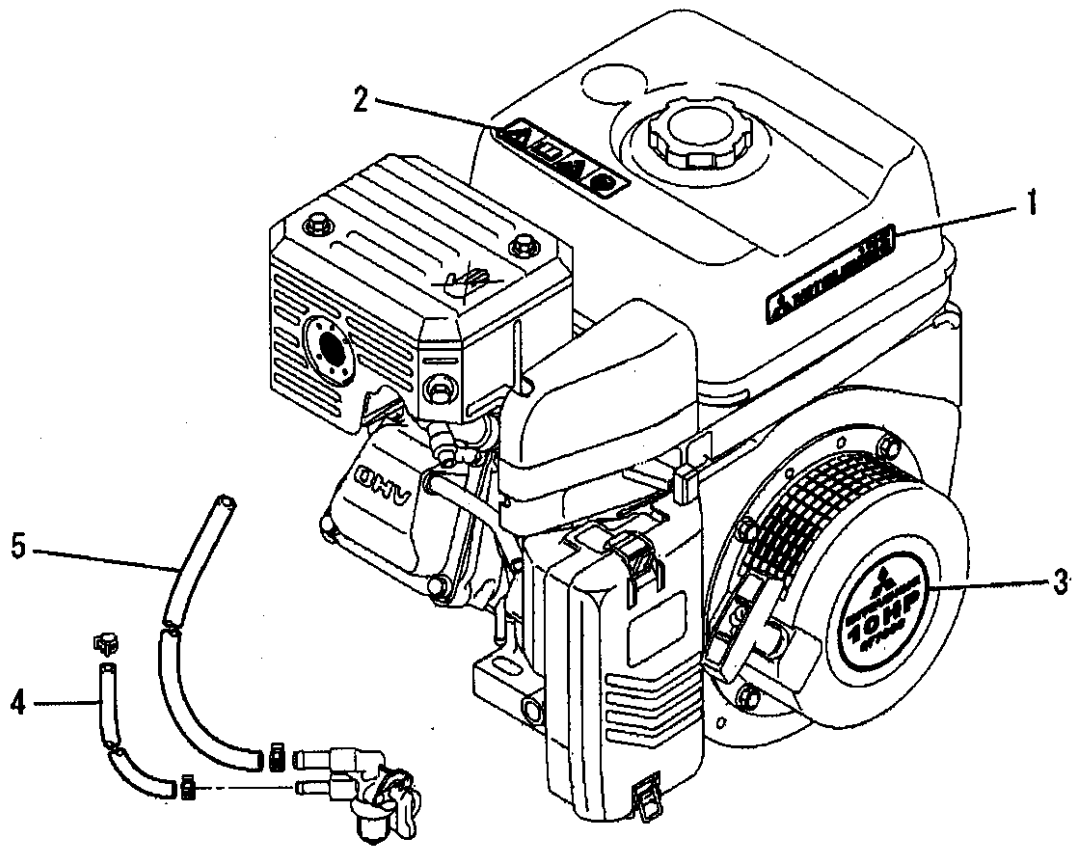
No.	R/N	Parts No.	Parts Name	No. Req'd	Inte	Remarks	Serial No. (From~To)
1		LB151B08020	BOLT, STUD	2			
2		LFR56780	CLAMP	1			
3		LG34054AA	SPRING, GOV	1			
4		LH40037AA	COVER, TOP	1			

2. LEAD WIRE, PLUG, CAP



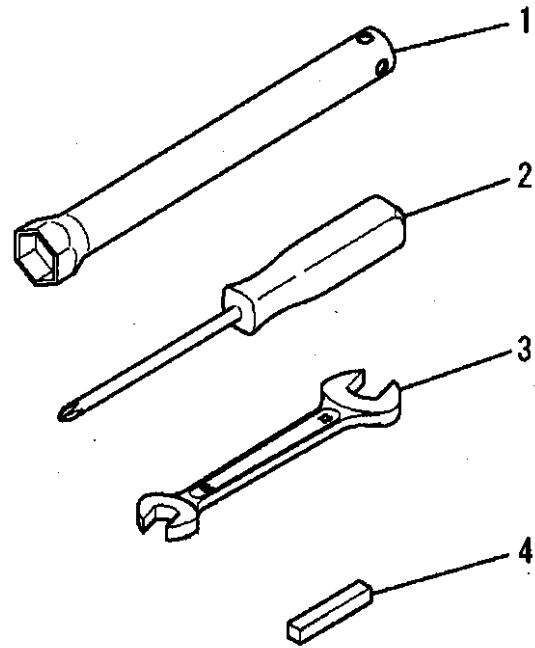
No.	R/N	Parts No.	Parts Name	No. Req'd	Inte	Remarks	Serial No. (From~To)
1		LE90069AA	WIRE, LEAD	1			
2		LE41017AA	PLUG, SPARK	1			
3		LE42045AA	CAP, PLUG	1			

3. LABEL, FUEL HOSE



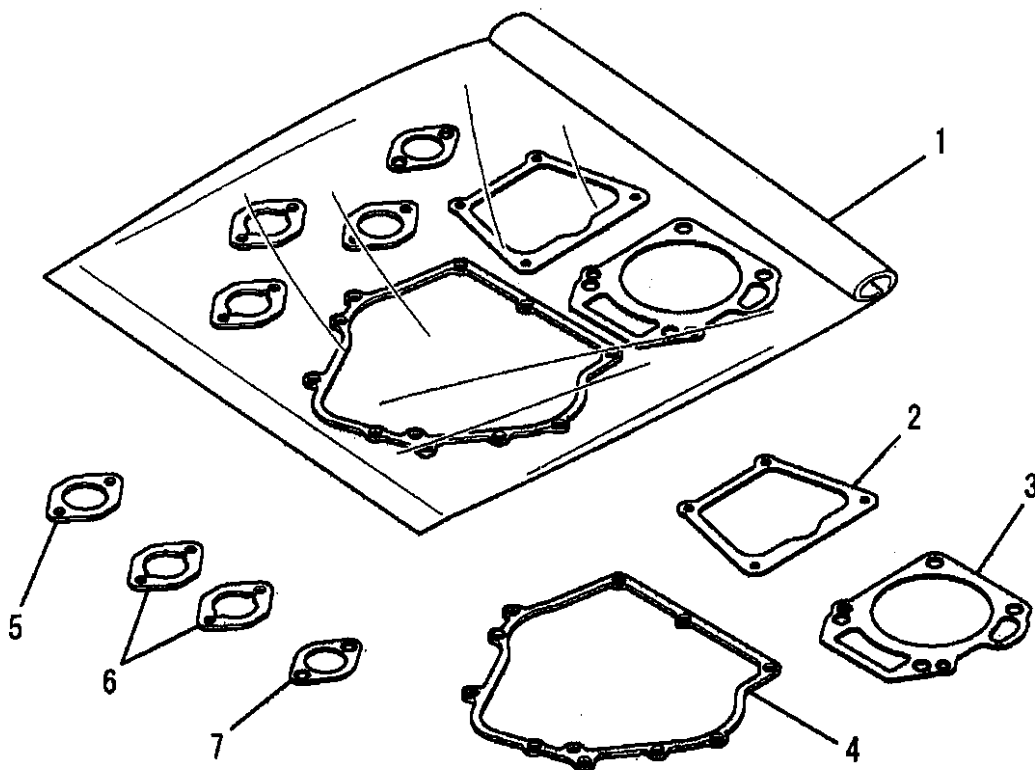
No.	R/N	Parts No.	Parts Name	No. Req'd	Inte	Remarks	Serial No. (From~To)
1		LW55093DA	LABEL	1			
2		LW56315AA	LABEL, CAUTION	1			
3		LW52356AA	LABEL, NAME	1			
4		LP051Y04X220	HOSE, FUEL	1			
5		LP051Y08X470	HOSE, FUEL	1			

4. TOOL SET



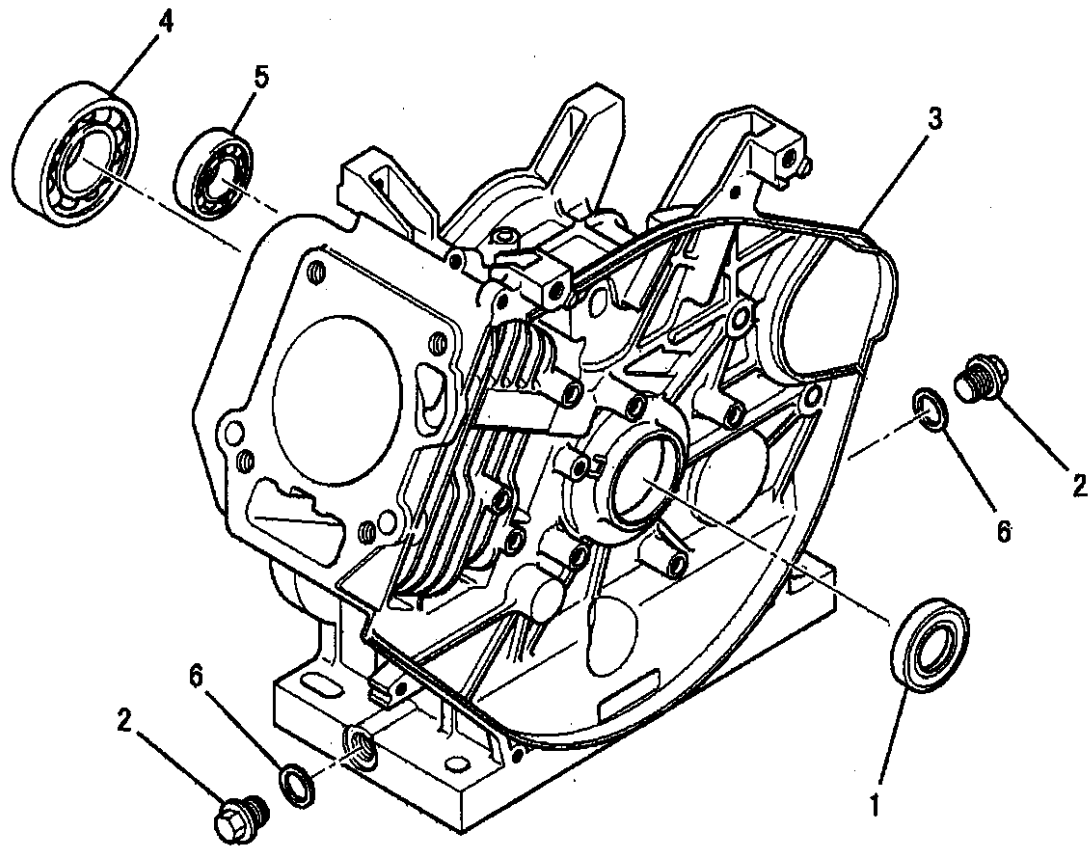
No.	R/N	Parts No.	Parts Name	No. Req'd	Inte	Remarks	Serial No. (From~To)
1		LN12015EA	SPANNER, BOX	1			
2		LN13003AA	DRIVER, SCREW	1			
3		LN11002AA	SPANNER	1			
4		LW405B07X045	KEY, SUNK	1			

5. GASKET SET



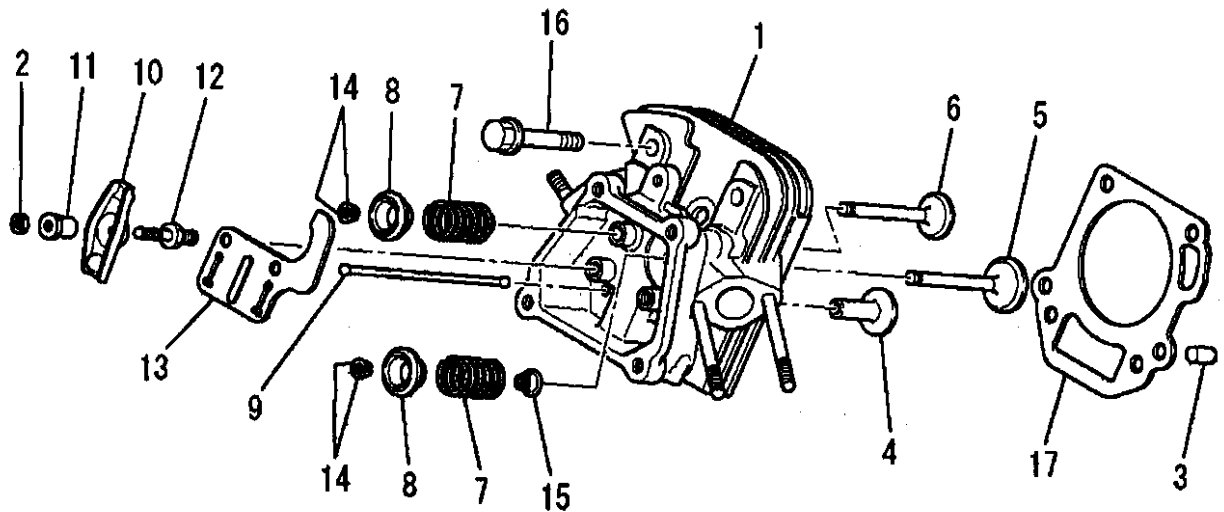
No.	R/N	Parts No.	Parts Name	No. Req'd	Inte	Remarks	Serial No. (From~To)
1		LW39120AA	GASKET SET	1		INCL. NO. 2-7	
2		LW33002AA	GASKET, HEAD COVER	1			
3		LC66017AA	GASKET, HEAD	1			
4		LW31007AA	GASKET, CRANKCASE	1			
5		LW34001AA	GASKET, CARBURETOR	1			
6		LW34005AA	GASKET, CARBURETOR	2			
7		LM70084AA	GASKET, MUFFLER	1			

(A) CYLINDER BLOCK GROUP



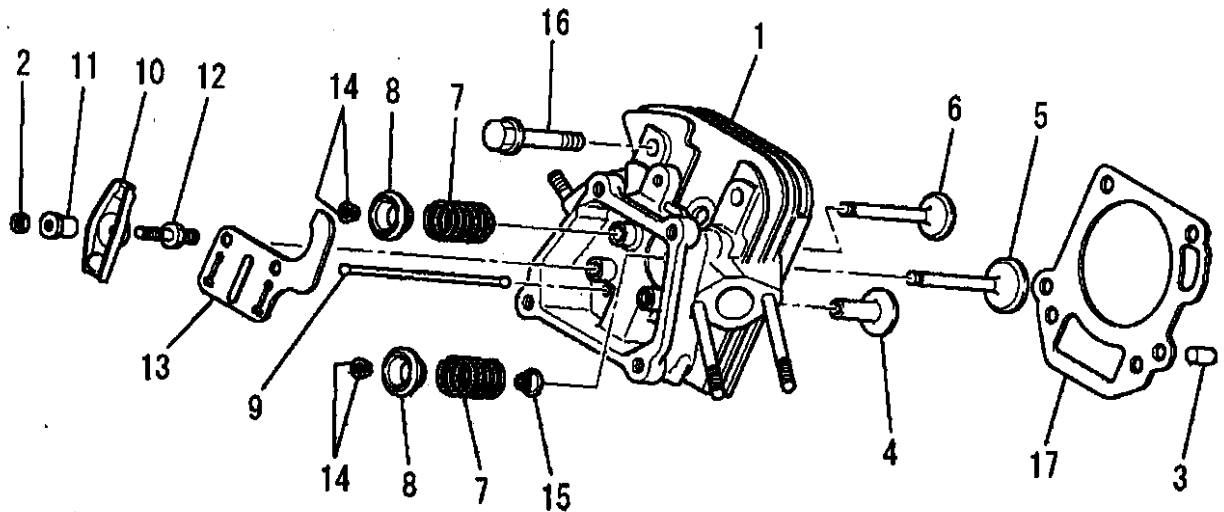
No.	R/N	Parts No.	Parts Name	No. Req'd	Inte	Remarks	Serial No. (From~To)
1		LFA28011	OIL SEAL	1			
2		LB46008AA	CYLINDER BLOCK	1			
3		LL22010AA	PLUG, DRAIN	2			
4		LS111X62X030	BEARING, BALL	1		#6203	
5		LS111X62X060	BEARING, BALL	1		#6206	
6		LZZ70013A	GASKET	2			

(B) CYLINDER HEAD GROUP



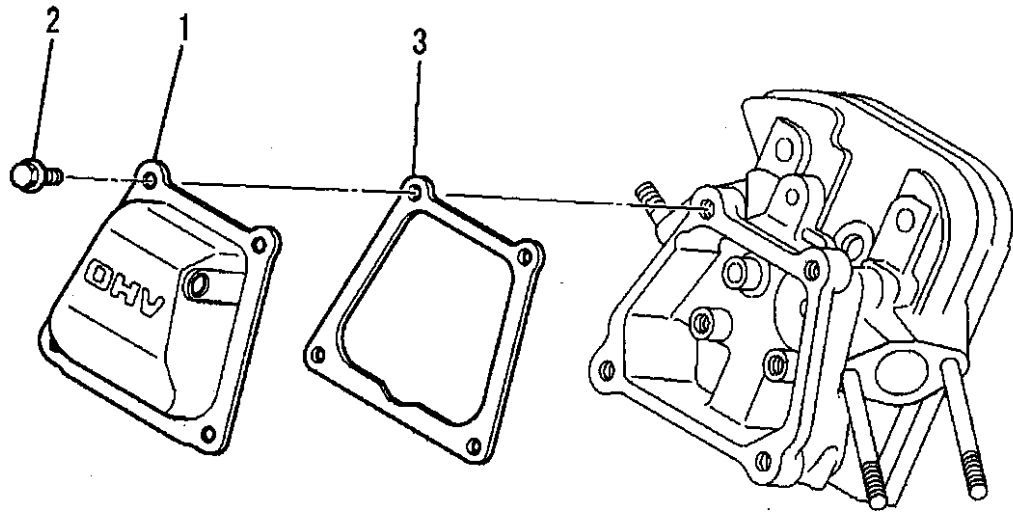
No.	R/N	Parts No.	Parts Name	No. Req'd	Inte	Remarks	Serial No. (From~To)
1		LC02070AA	CYLINDER HEAD ASSY	1		WITH LB151B06085	
2		LU23009AA	NUT	2			
3		LU44001AA	PIN, DOWEL	2			
4		LV24012AA	TAPPET	2			
5		LV35005AA	VALVE, INTAKE	1			
6		LV45008AA	VALVE, EXHAUST	1			
7		LV55006AA	SPRING, VALVE	2			
8		LV65004AA	RETAINER, VALVE SPG	2			
9		LV71004AA	ROD, PUSH	2			
10		LV72003AA	ARM, ROCKER	2			
11		LV73006AA	NUT	2			
12		LV74011AA	BOLT	2			

(B) CYLINDER HEAD GROUP



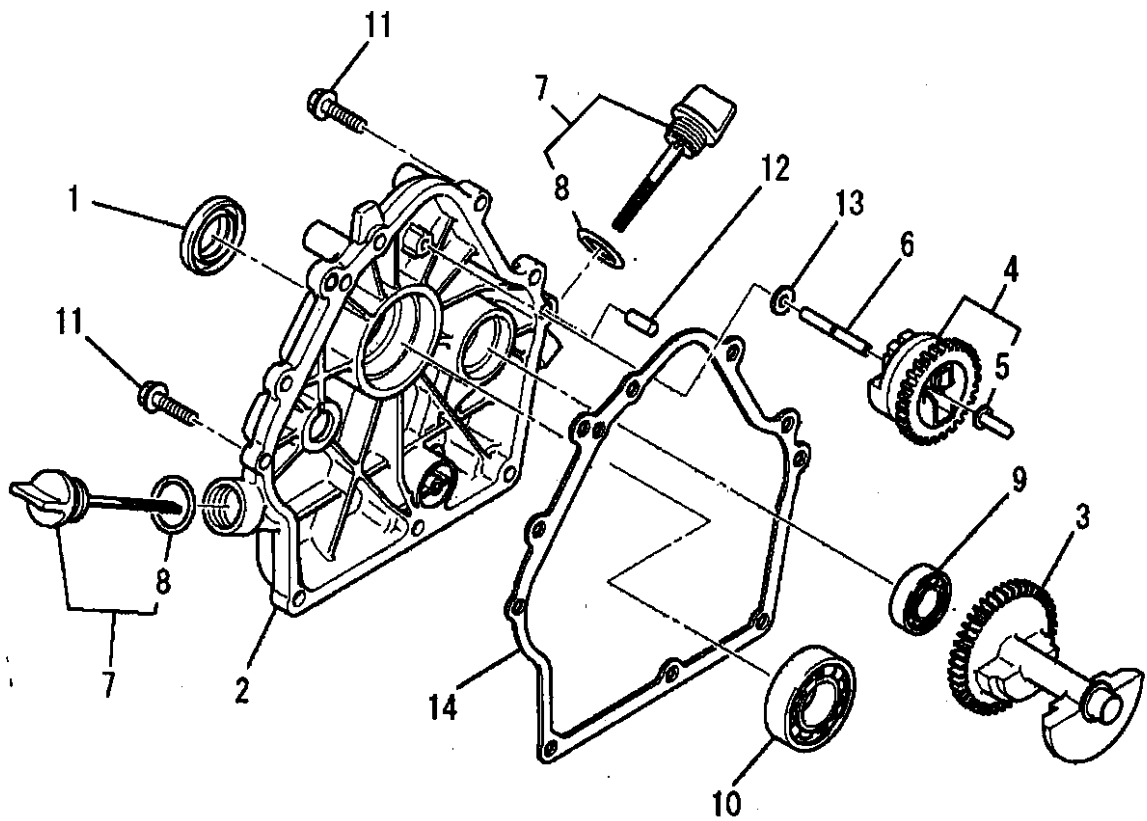
No.	R/N	Parts No.	Parts Name	No. Req'd	Inte Remarks	Serial No. (From~To)
13		LV75006AA	PLATE	1		
14		LV75010AA	COTTER	4		
15		LW21024AA	SEAL, VALVE STEM	1		
16		LB800B10065	BOLT, FLANGE	4		
17		LC66017AA	GASKET, HEAD	1		

(C) HEAD COVER GROUP



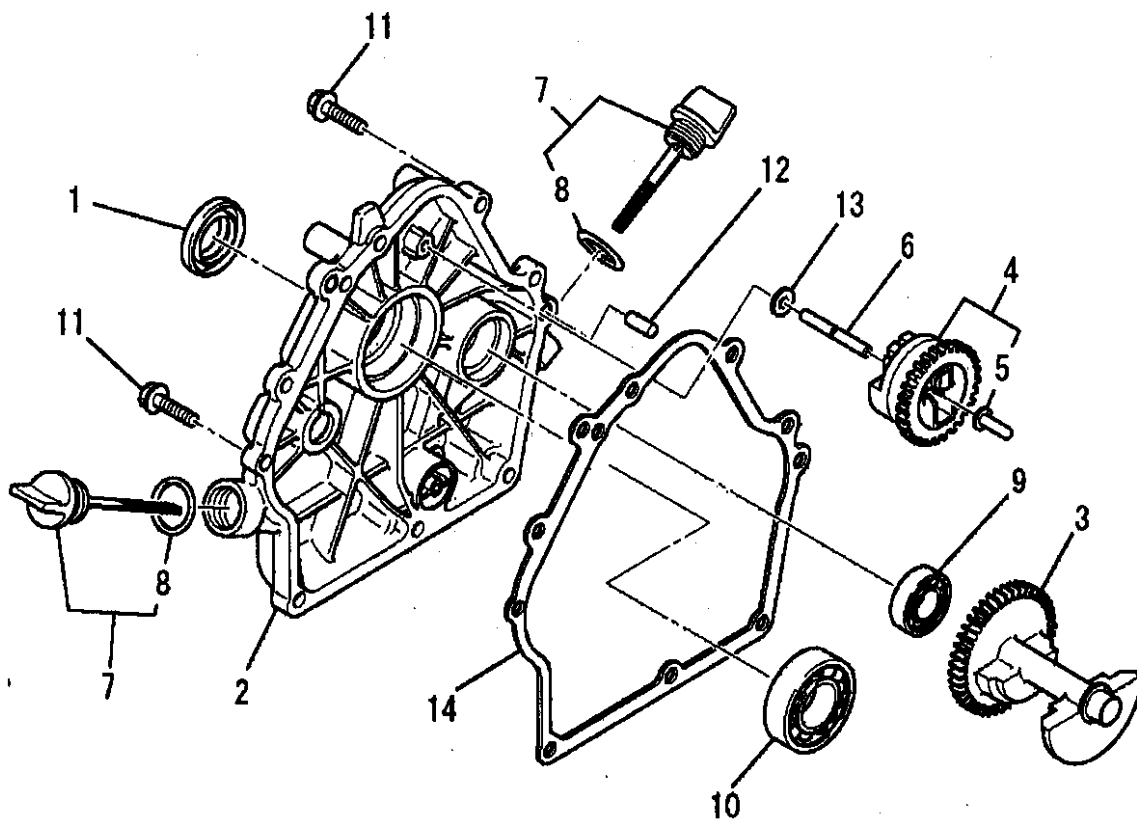
No.	R/N	Parts No.	Parts Name	No. Req'd	Inte	Remarks	Serial No. (From~To)
1		LC09017AA	HEAD COVER ASSY	1			
2		LB800A06012	BOLT, FLANGE	4			
3		LW33002AA	GASKET, HEAD COVER	1			

(D) CASE COVER GROUP



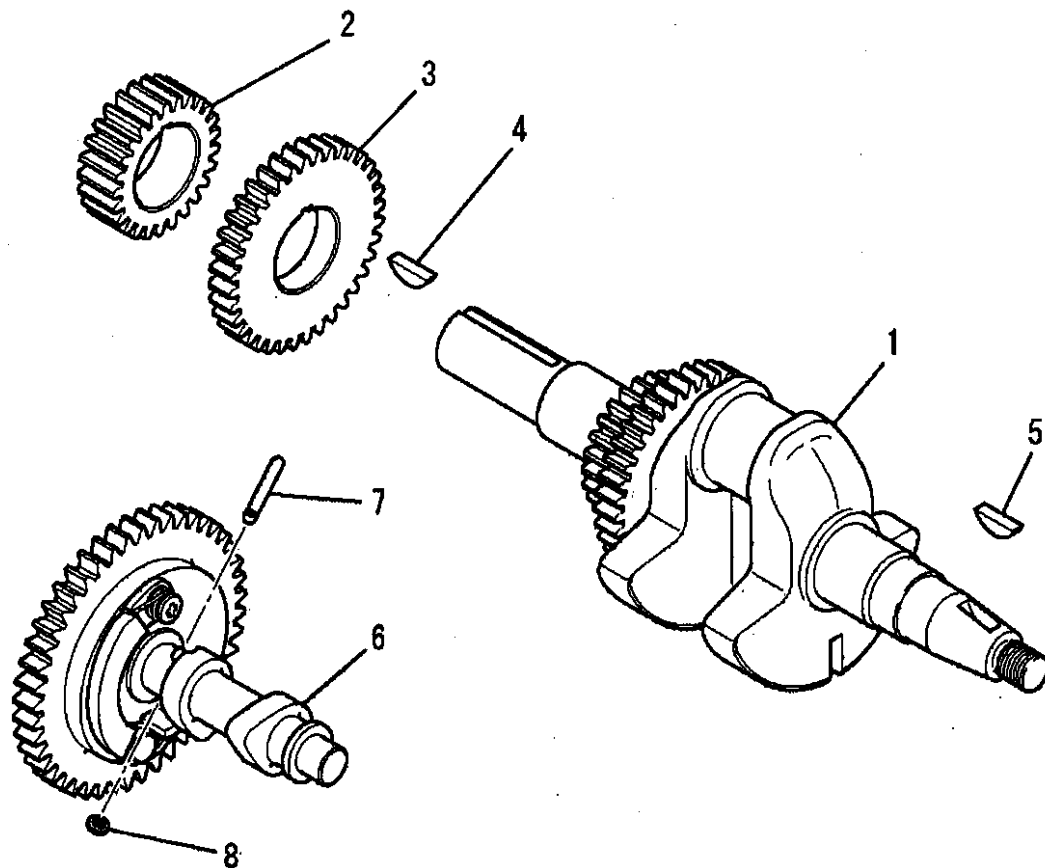
No.	R/N	Parts No.	Parts Name	No. Req'd	Inte	Remarks	Serial No. (From~To)
1		LFA29008	OIL SEAL	1			
2		LB66011AB	COVER, CRANKCASE	1			
3		LD51008BA	SHAFT, BALANCER	1			
4		LG01008BA	GOVERNOR GEAR ASSY	1		INCL. NO. 5	
5		LG14005AA	SLIDER, GOV	1			
6		LG22022AA	SHAFT, GOV	1			
7		LL21019AA	GAUGE, OIL	2		INCL. NO. 8	
8		LW29006AA	O-RING	2			
9		LS111X62X030	BEARING, BALL	1		#6203	
10		LS111X62X060	BEARING, BALL	1		#6206	
11		LB800B08030	BOLT, FLANGE	9			
12		LU44001AA	PIN, DOWEL	2			

(D) CASE COVER GROUP



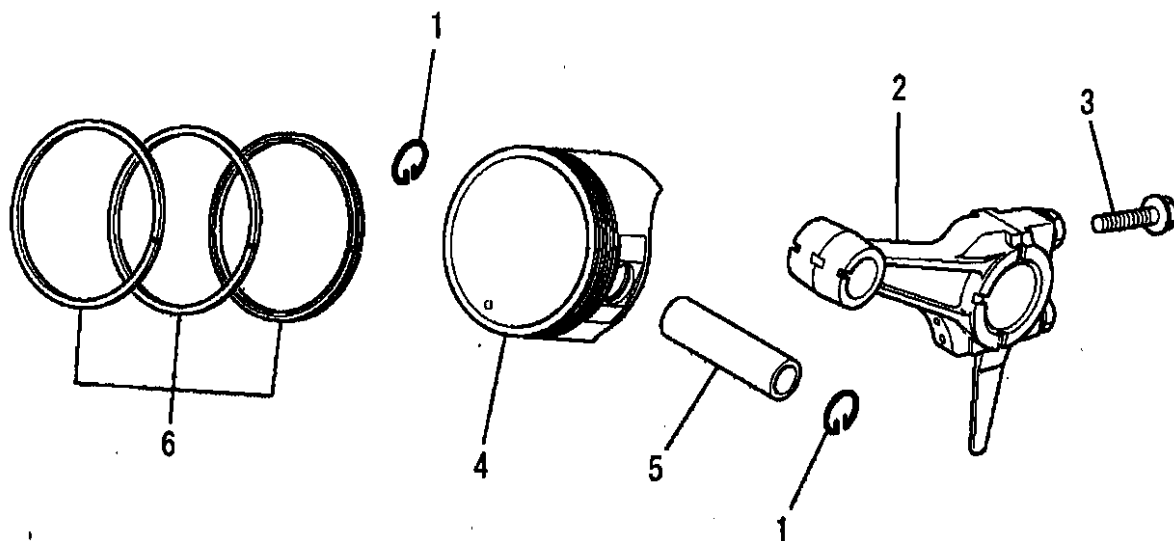
No.	R/N	Parts No.	Parts Name	No. Req'd	Inte	Remarks	Serial No. (From~To)
13		LW200H06	WASHER	1			
14		LW31007AA	GASKET, CRANKCASE	1			

(E) CRANKSHAFT GROUP



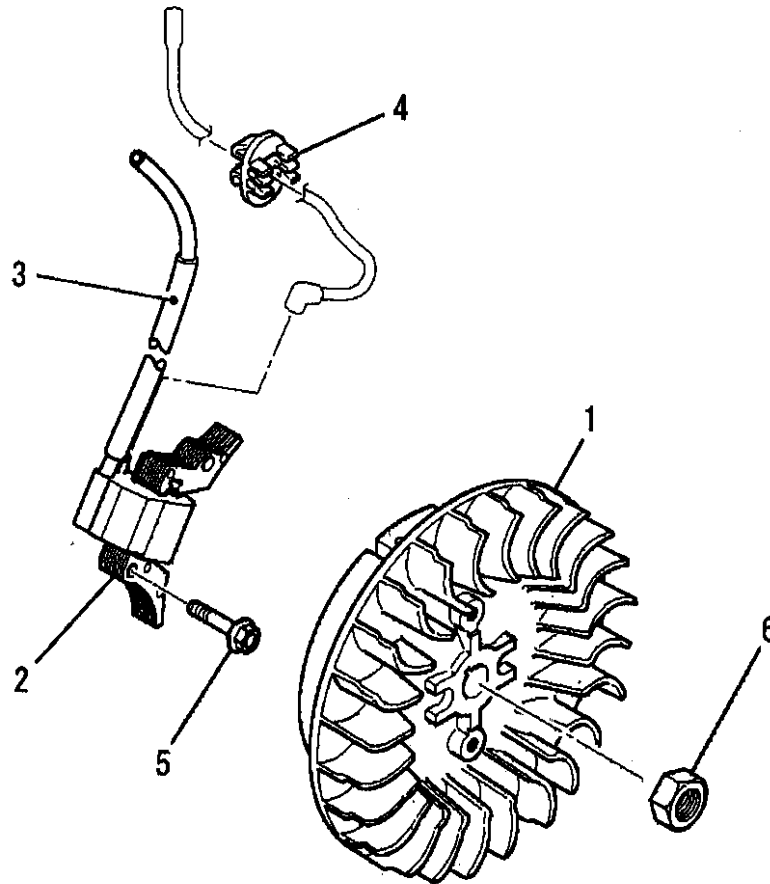
No.	R/N	Parts No.	Parts Name	No. Req'd	Inte	Remarks	Serial No. (From~To)
1		LD02090AA	CRANKSHAFT ASSY	1		INCL. NO. 2-4	
2		LD63057AA	GEAR, CRANKSHAFT	1			
3		LD63058AA	GEAR	1			
4		LD90012AA	KEY, WOODRUFF	1			
5		LW430B05X016	KEY, WOODRUFF	1			
6		LV01229AA	CAMSHAFT ASSY	1		INCL. NO. 7, 8	
7		LV83010FA	PIN	1			
8		LS500P03	SNAP RING	1			

(F) PISTON & ROD GROUP



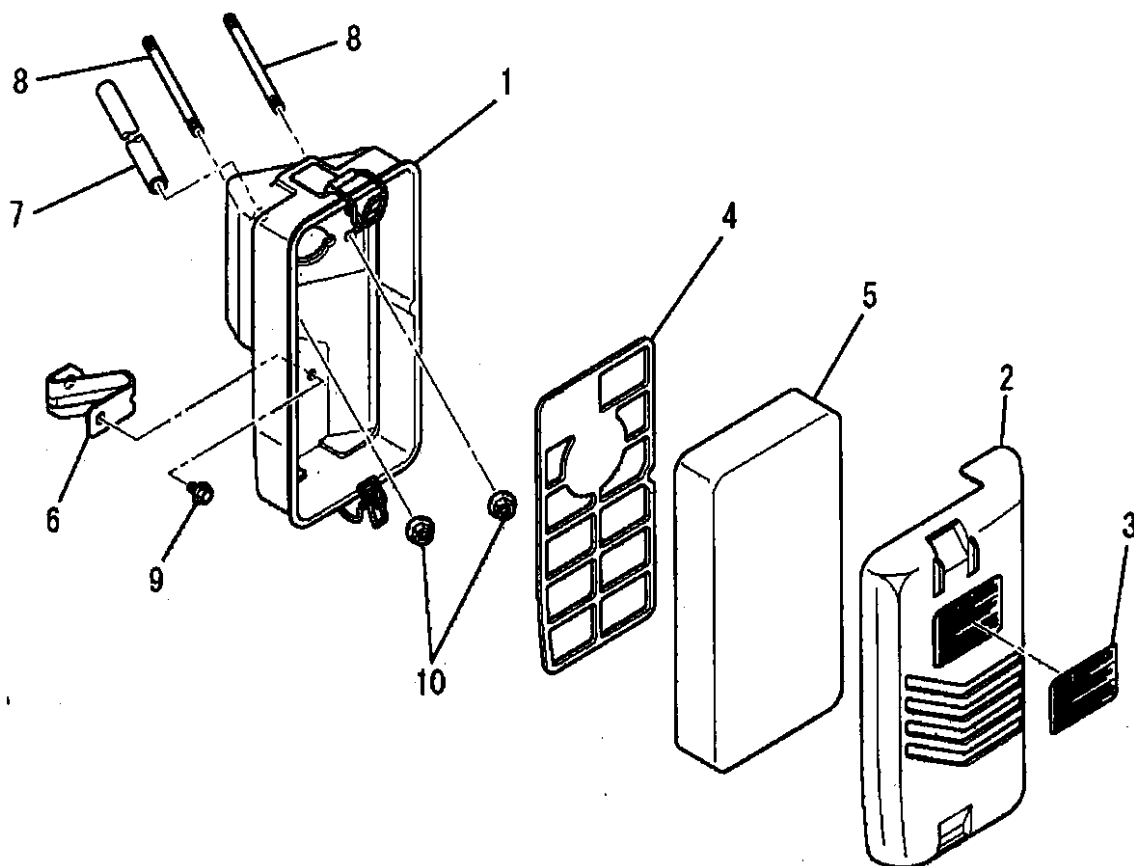
No.	R/N	Parts No.	Parts Name	No. Req'd	Inte	Remarks	Serial No. (From~To)
1		LP90006AA	CLIP, PISTON PIN	2			
2		LD03035AA	CONNECTING ROD ASSY	1		STD INCL. NO. 3	
2	1	LD03035BA	CONNECTING ROD ASSY	1		US 0.25 INCL. NO. 3	
2	2	LD03035CA	CONNECTING ROD ASSY	1		US 0.50 INCL. NO. 3	
3		LD70001AA	BOLT	2			
4		LP17008AA	PISTON	1		STD	
4	1	LP17008BA	PISTON	1		OS 0.25	
4	2	LP17008CA	PISTON	1		OS 0.50	
5		LP57002AA	PIN, PISTON	1			
6		LP02021AA	PISTON RING SET	1		STD	
6	1	LP02021BA	PISTON RING SET	1		OS 0.25	
6	2	LP02021CA	PISTON RING SET	1		OS 0.50	

(G) MAGNETO GROUP



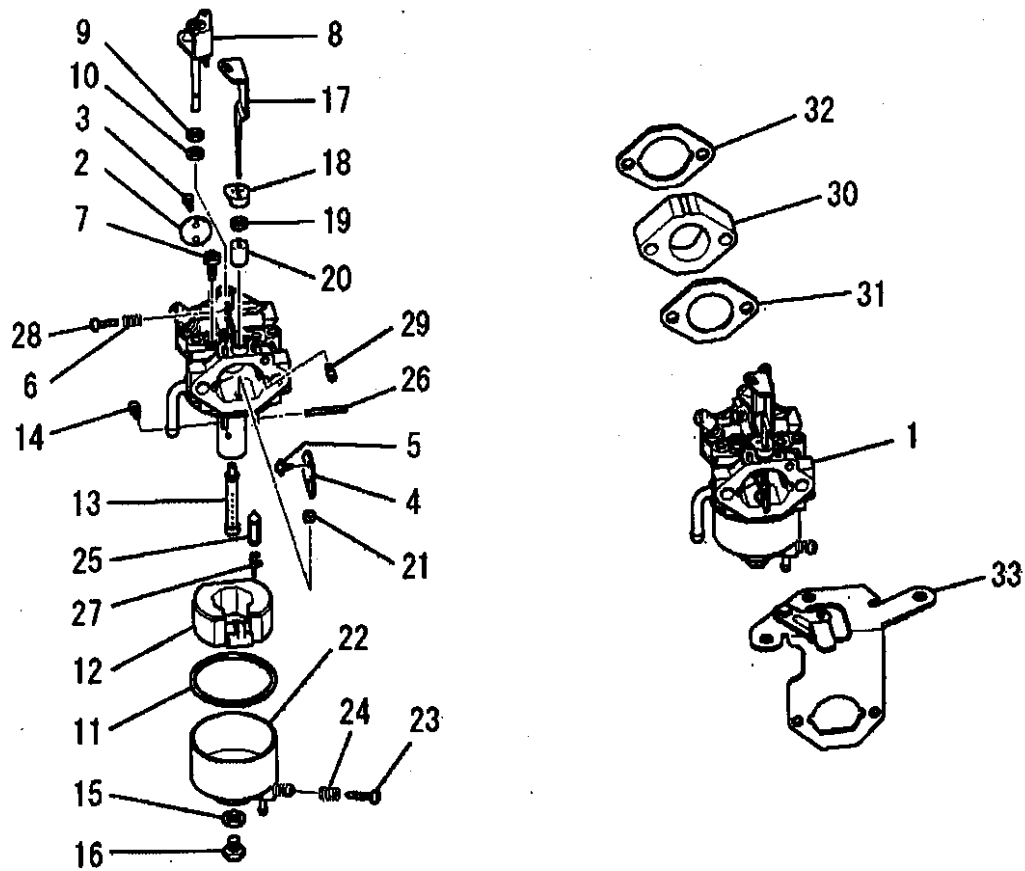
No.	R/N	Parts No.	Parts Name	No. Req'd	Inte	Remarks	Serial No. (From~To)
1		LE12044AA	FLYWHEEL	1			
2		LE24024AA	COIL, IGNITION	1			
3		LE90073AA	TUBE	1			
4		LU70007AA	CLIP	1			
5		LB800A06030	BOLT, FLANGE	2			
6		LFR41231	NUT	1			

(H) AIR CLEANER GROUP



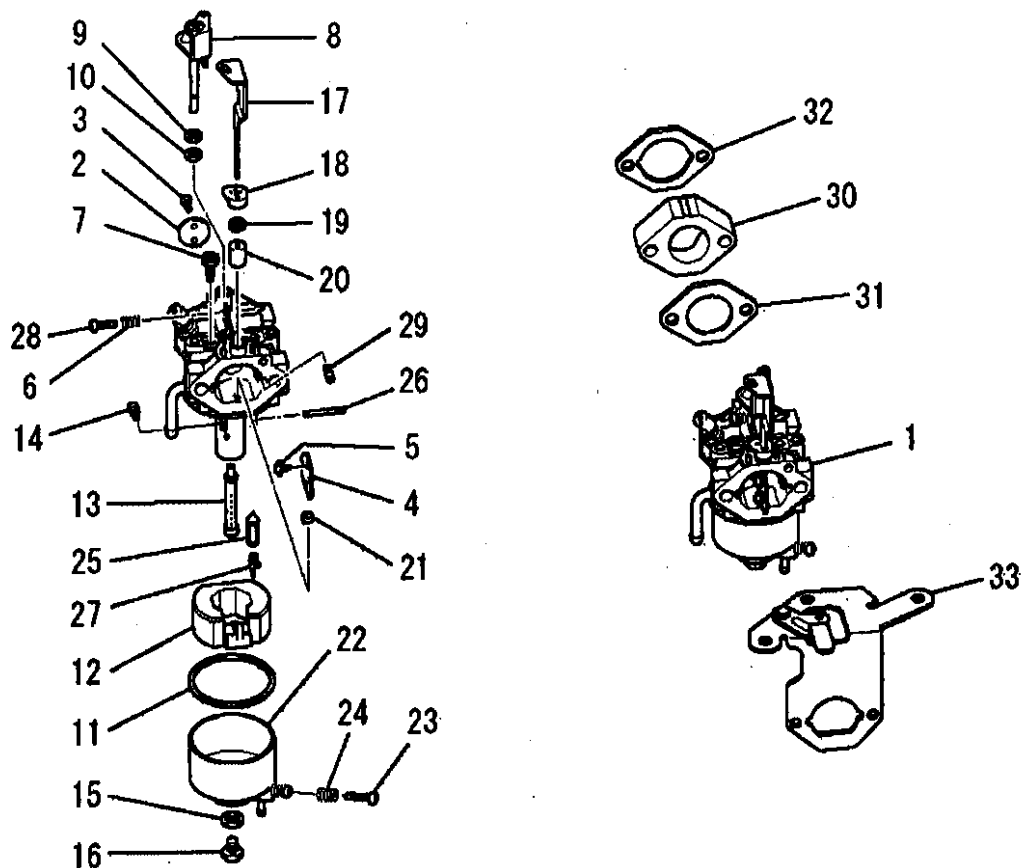
No.	R/N	Parts No.	Parts Name	No. Req'd	Inte	Remarks	Serial No. (From~To)
1		LA11041AA	CASE, CLEANER	1			
2		LA20045AA	COVER, CLEANER	1		INCL. NO. 3	
3		LFA24115	LABEL, INSTRUCTION	1			
4		LA30016AA	GRID	1			
5		LA40059AA	ELEMENT, CLEANER	1			
6		LA90182AA	BRACKET	1			
7		LL41005JA	TUBE, BREATHER	1			
8		LB151B06085	BOLT, STUD	2			
9		LB800A06008	BOLT, FLANGE	1			
10		LN801A06	NUT, FLANGE	2			

(I) CARBURETOR GROUP



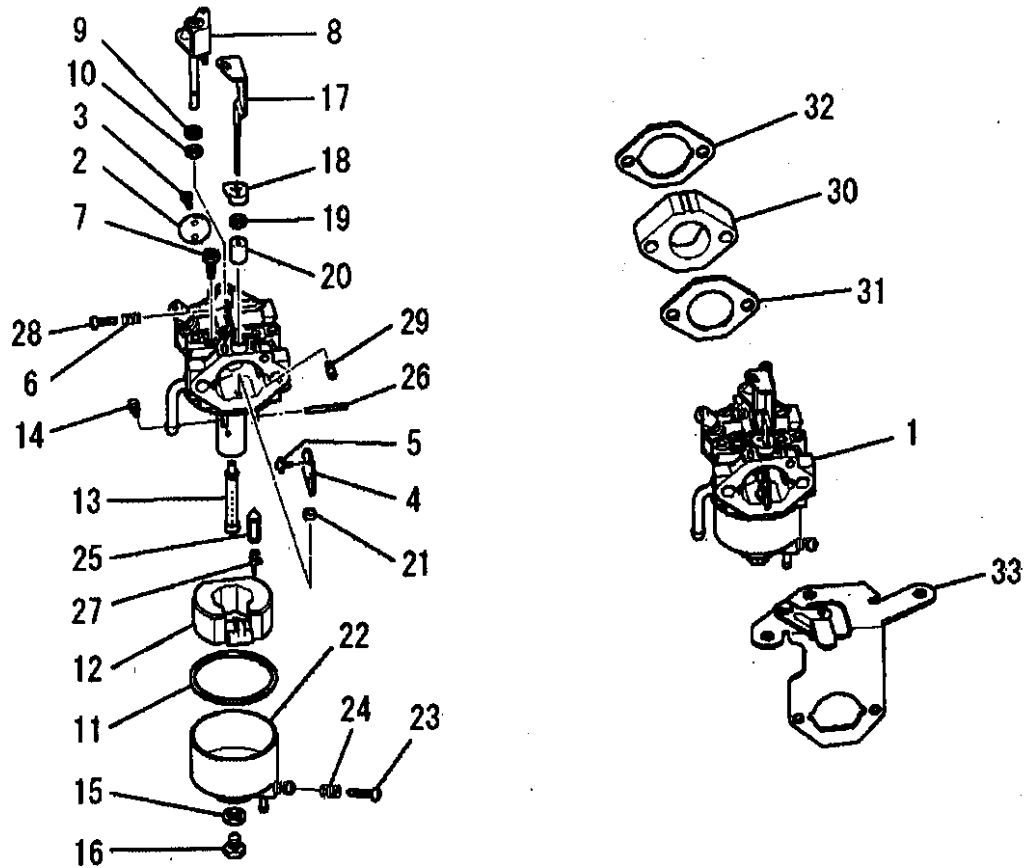
No.	R/N	Parts No.	Parts Name	No. Req'd	Inte	Remarks	Serial No. (From~To)
1		LK15045AA	CARBURETOR (F)	1		INCL. NO. 2-29	
2		LK15040AA002	VALVE, THROTTLE	1			
3		LK15016AA003	SCREW	2			
4		LK15001AA004	VALVE, CHOKE	1			
5		LK15016AA005	SCREW	2			
6		LK13003AA008	SPRING	1			
7		LK74508BC413	JET, PILOT	1			
8		LK15008YX011	SHAFT, THROTTLE	1			
9		LK12008AE015	PACKING	1			
10		LK12008AE016	SEAL	1			
11		LK15003AE014	PACKING	1			
12		LK15003AE015	FLOAT	1			

(I) CARBURETOR GROUP



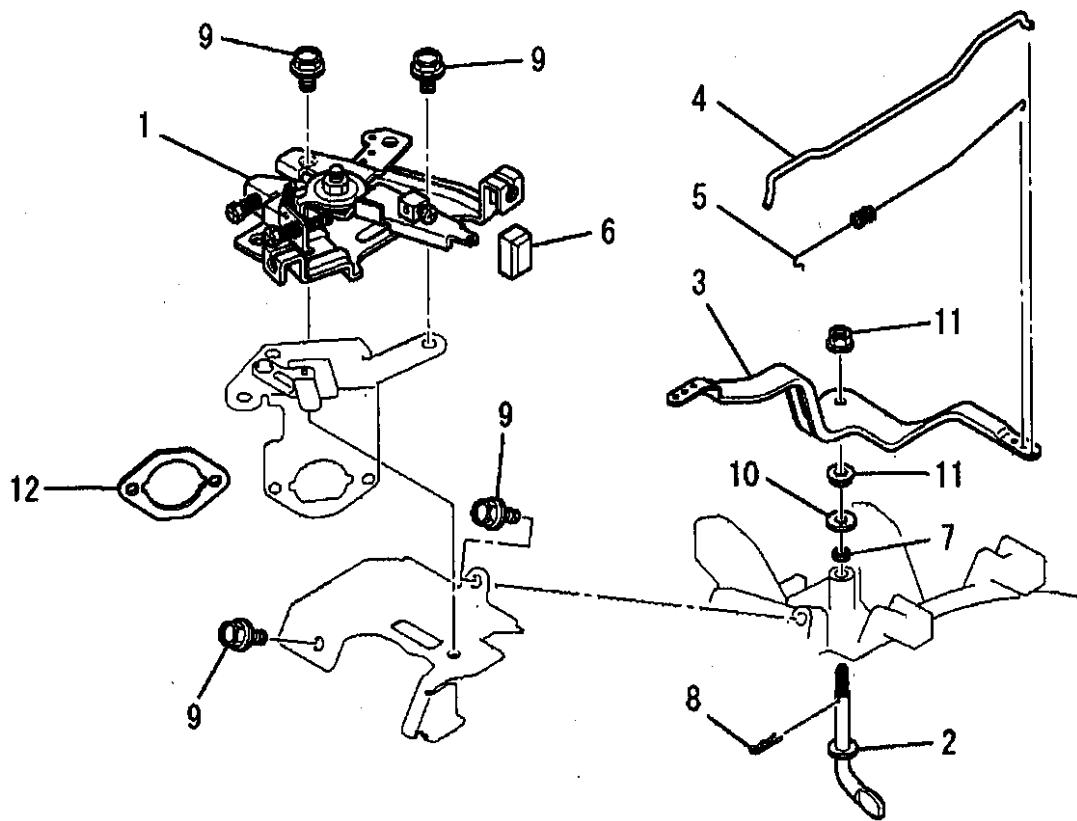
No.	R/N	Parts No.	Parts Name	No. Req'd	Inte	Remarks	Serial No. (From~To)
13		LK74524BB031	NOZZLE, MAIN	1			
14		LK74525CC975	JET, MAIN	1			
15		LFA27080X013	PACKING	1			
16		LK15003AE019	BOLT	1			
17		LK15014AA020	LEVER, CHOKE	1			
18		LK12008AE018	RING	1			
19		LK12008AE019	SEAL	1			
20		LK12008AE020	RING	1			
21		LK15001AA014	RING	1			
22		LK15003AE025	CHAMBER, FLOAT	1		INCL. NO. 23, 24	
23		LK12008AE029	SCREW	1			
24		LK13003AA008	SPRING	1			

(I) CARBURETOR GROUP



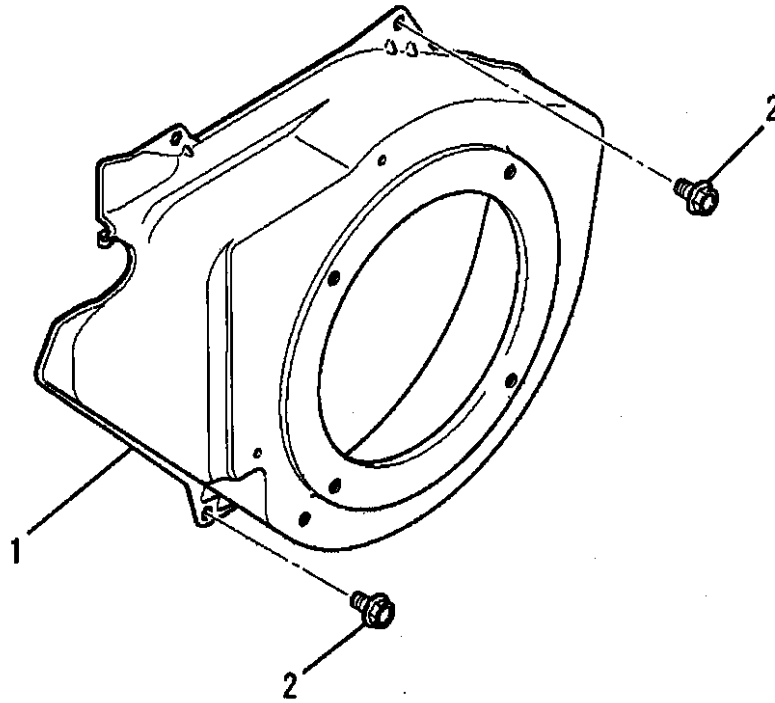
No.	R/N	Parts No.	Parts Name	No. Req'd	Inte	Remarks	Serial No. (From~To)
25		LK15001AA015	NEEDLE, MAIN	1			
26		LK15001AA016	PIN	1			
27		LK12008AE011	CLIP	1			
28		LK12008AE009	SCREW	1			
29		LK12020PA030	JET, AIR BLEED	1			
30		LK33009AA	INSULATOR	1			
31		LW34001AA	GASKET, CARBURETOR	1			
32		LW34005AA	GASKET, CARBURETOR	1			
33		LK09014AA	CHOKE LEVER ASSY	1			

(J) CONTROL PANEL GROUP



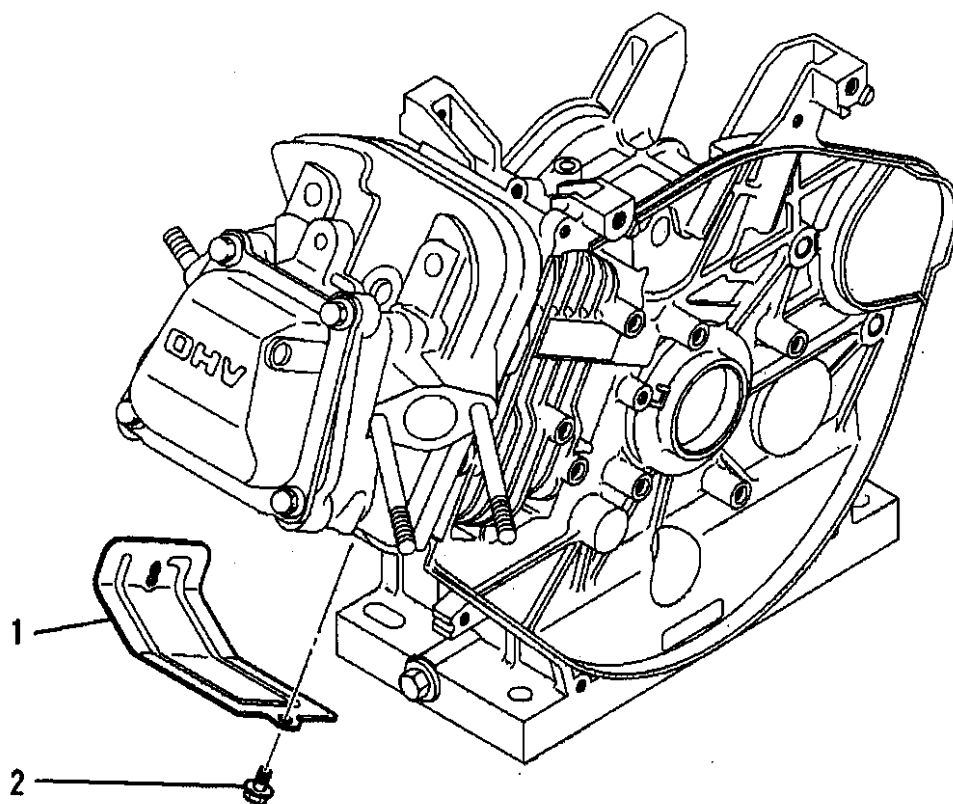
No.	R/N	Parts No.	Parts Name	No. Req'd	Inte Remarks	Serial No. (From~To)
1		LG03059BA	PANEL, CONTROL	1		
2		LG22025AA	SHAFT, GOV	1		
3		LG31014AA	LEVER, GOV	1		
4		LG41011AA	ROD, GOV	1		
5		LG42038AA	SPRING, ROD	1		
6		LG90014AA	CAP	1		
7		LG90016AA	SEAL, DUST	1		
8		LU70006AA	CLIP	1		
9		LB800A06012	BOLT, FLANGE	5		
10		LG90015AA	WASHER	1		
11		LU24002AA	NUT	2		
12		LW34005AA	GASKET, CARBURETOR	1		

(K) FAN COVER GROUP



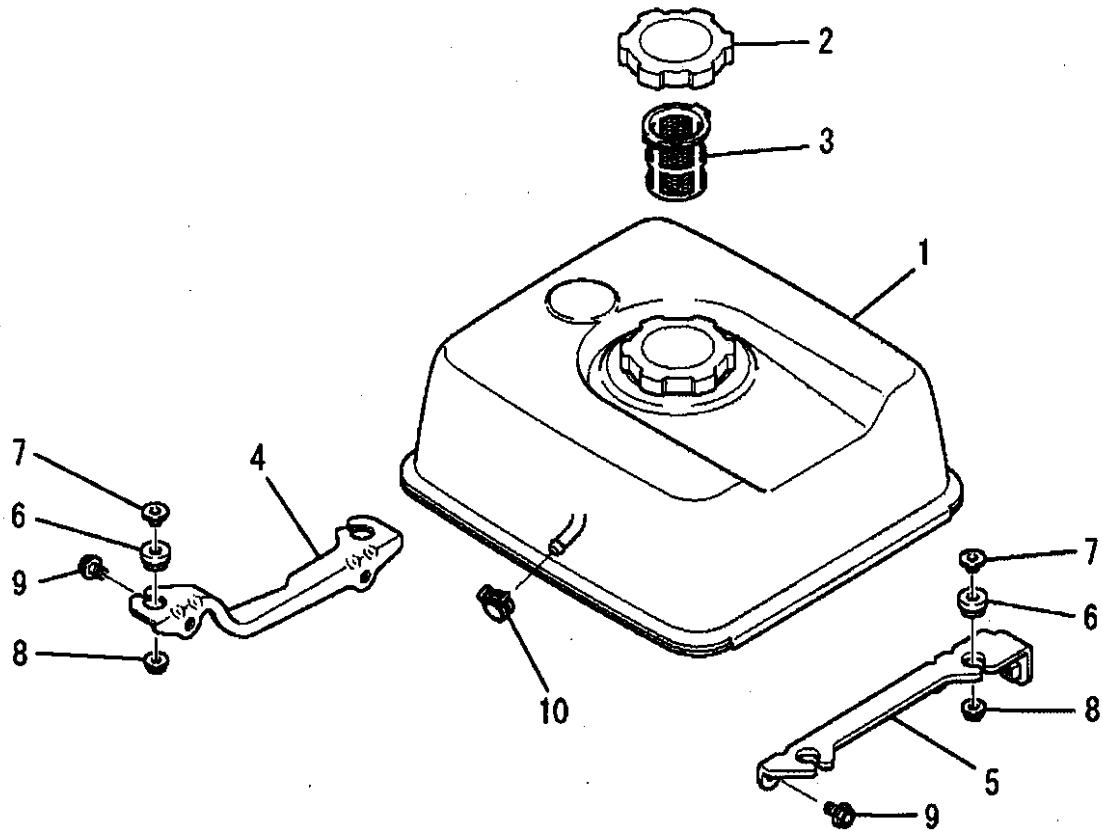
No.	R/N	Parts No.	Parts Name	No. Req'd	Inte Remarks	Serial No. (From~To)
1		LH28025AA	COVER, FAN	1		
2		LB800A06012	BOLT, FLANGE	4		

(L) CYLINDER COVER GROUP



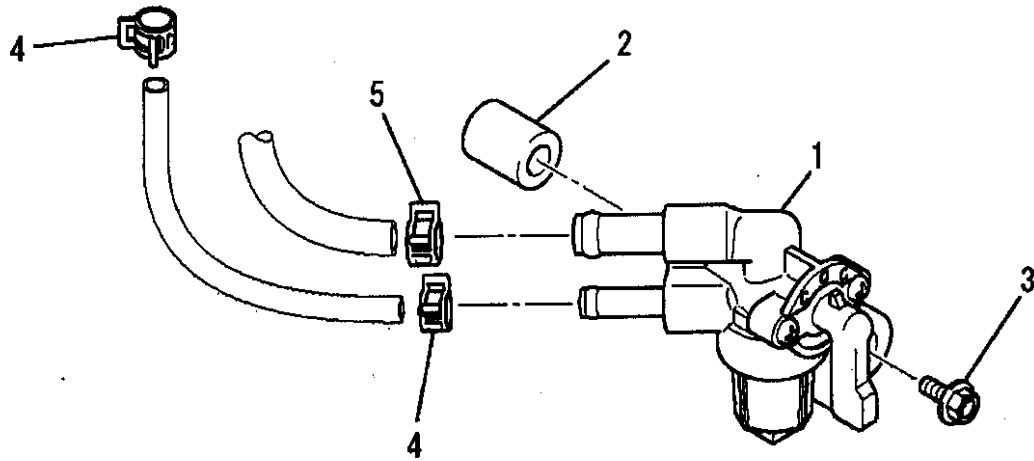
No.	R/N	Parts No.	Parts Name	No. Req'd	Inte	Remarks	Serial No. (From~To)
1		LH40020AA	COVER, CYLINDER	1			
2		LB800A06012	BOLT, FLANGE	2			

(M) TANK GROUP



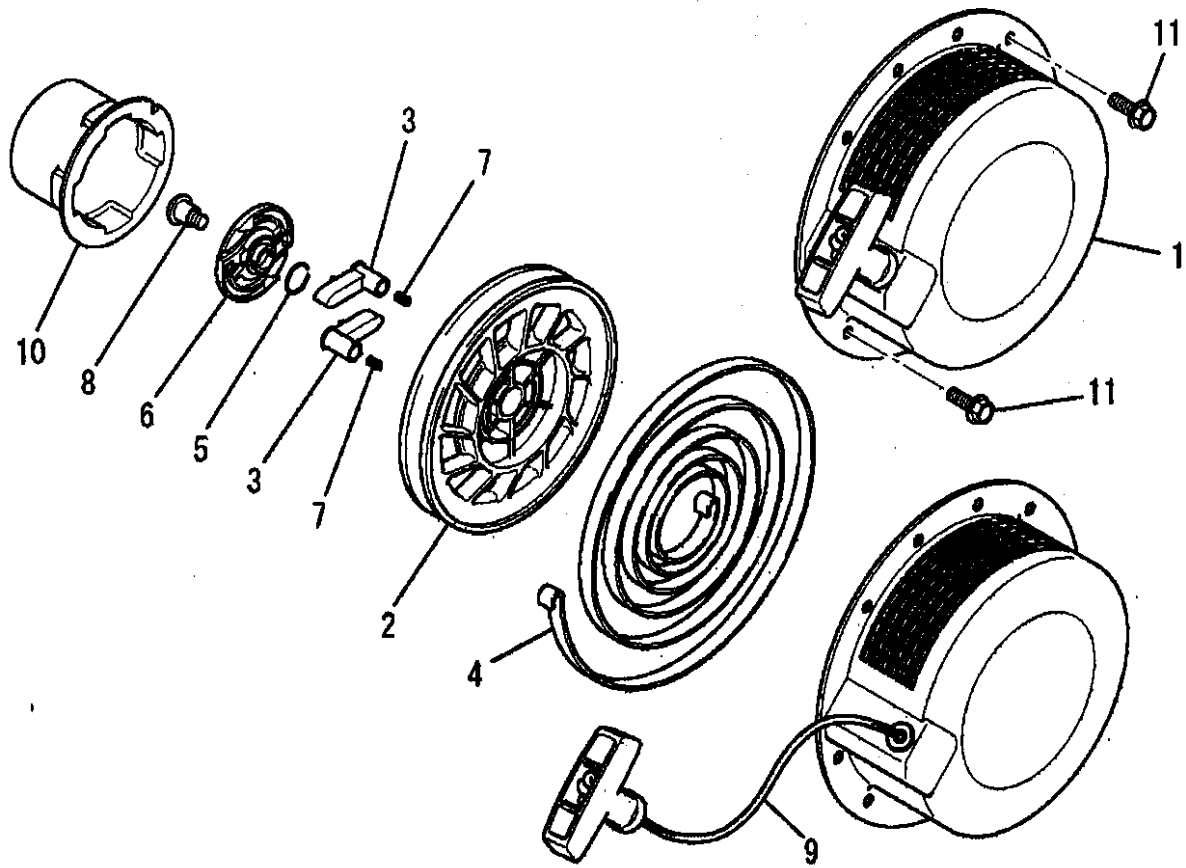
No.	R/N	Parts No.	Parts Name	No. Req'd	Inte Remarks	Serial No. (From~To)
1		LF04147AD	FUEL TANK ASSY	1	INCL. NO. 2, 3	
2		LF22003AA	CAP, FUEL TANK	1		
3		LF40016AA	FILTER, FUEL	1		
4		LF59028AA	BRACKET, TANK	1		
5		LF59029AA	BRACKET, TANK	1		
6		LU50041AA	BUSH	4		
7		LU50042AA	SPACER	4		
8		LN801A06	NUT, FLANGE	4		
9		LB800A06016	BOLT, FLANGE	4		
10		LU70021AA	CLIP	1		

(N) COCK GROUP



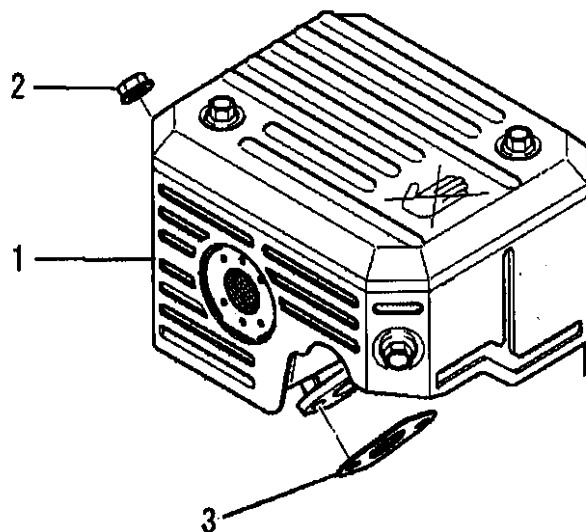
No.	R/N	Parts No.	Parts Name	No. Req'd	Inte	Remarks	Serial No. (From~To)
1		LF31036AA	COCK, FUEL	1			
2		LF90105AA	SPACER	1			
3		LB800A06025	BOLT, FLANGE	1			
4		LU70022AA	CLIP	2			
5		LU70021AA	CLIP	1			

(R) RECOIL STARTER GROUP



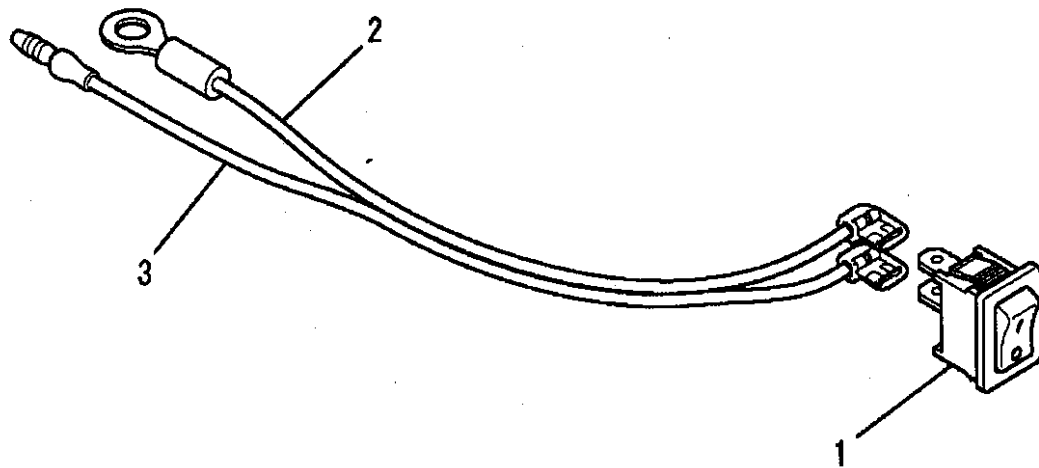
No.	R/N	Parts No.	Parts Name	No. Req'd	Inte Remarks	Serial No. (From~To)
1		LS20173AD	RECOIL STARTER	1	INCL. NO. 2-9	
2		LS20173AD002	REEL	1		
3		LS20173AD003	RATCHET	2		
4		LS20173AD004	SPRING, SPIRAL	1		
5		LS20173AD005	SPRING, FRICTION	1		
6		LS20173AD006	GUIDE	1		
7		LS20020AD007	SPRING, RETURN	2		
8		LS20020AD008	SCREW	1		
9		LS20173AD009	ROPE ASSY	1		
10		LS30067AA	PULLEY, STARTER	1		
11		LB800A06008	BOLT, FLANGE	4		

(S) MUFFLER GROUP



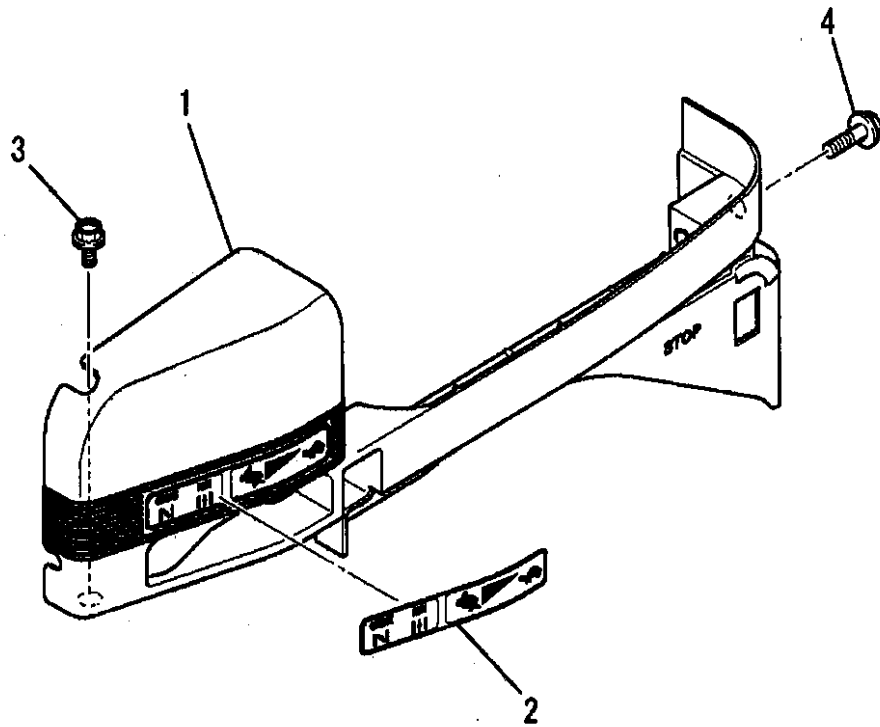
No.	R/N	Parts No.	Parts Name	No. Req'd	Inte. Remarks	Serial No. (From~To)
1		LM02166AA	MUFFLER ASSY	1		
2		LZZ70028C	NUT, CONICAL SPG	2		
3		LM70084AA	GASKET, MUFFLER	1		

(U) SWITCH GROUP



No.	R/N	Parts No.	Parts Name	No. Req'd	Inte	Remarks	Serial No. (From~To)
1		LE80033BA	SWITCH, STOP	1			
2		LE90190AA	WIRE, LEAD	1			
3		LE90191AA	WIRE, LEAD	1			

(X) COVER GROUP



No.	R/N	Parts No.	Parts Name	No. Req'd	Inte	Remarks	Serial No. (From~To)
1		LR04015AA	COVER, FRONT	1		INCL. NO. 2	
2		LW56067BA	LABEL	1			
3		LB800A06016	BOLT, FLANGE	1			
4		LB800A06030	BOLT, FLANGE	1			