

SHX2000

DEGI WAVE GENERATOR

GENERATOR & C·BOX PARTS LIST

TYPE: R, R/S, L, Q

ELEMAX







SAWAFUJI ELECTRIC CO.,LTD.

0957 500 0000

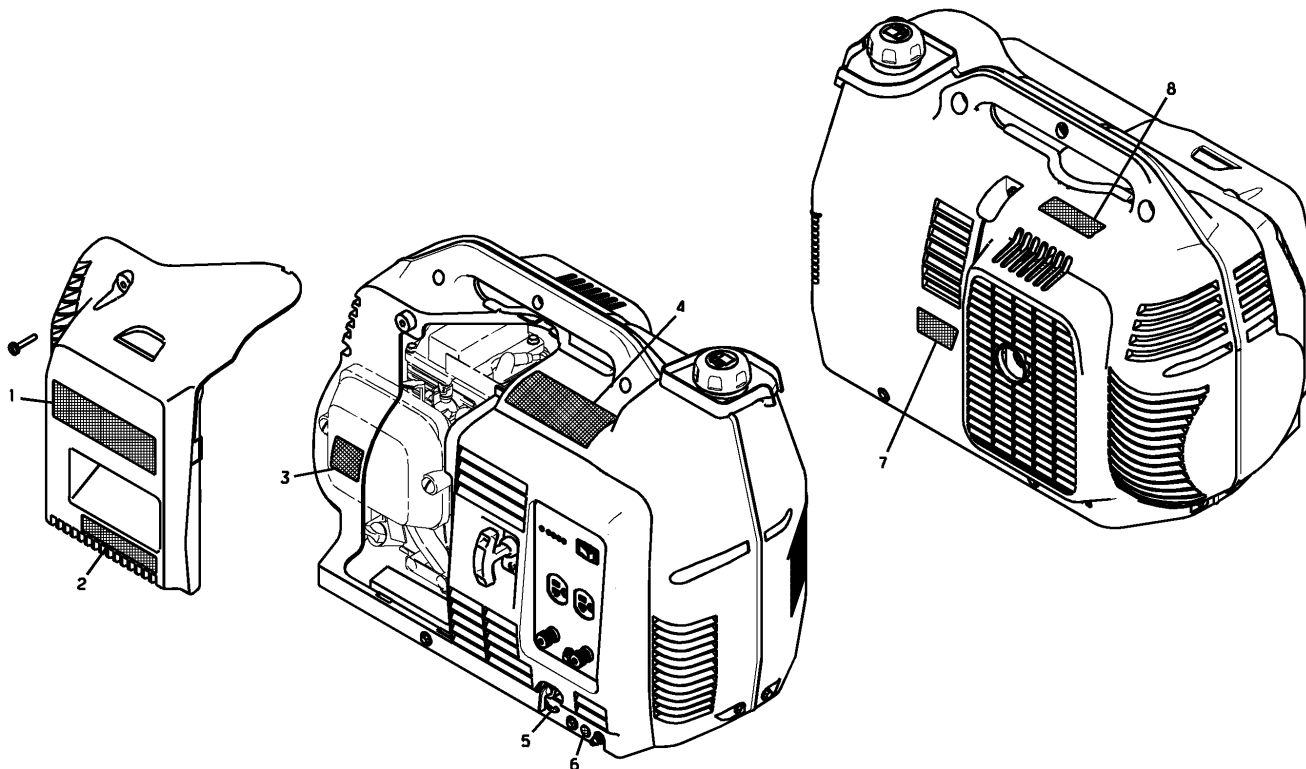
Type
(SHX2000)

See the following table for the features of each type.

Type		R	R/S	L	Q
AC	Voltage	220V	220V	120V	220V
	Frequency	50Hz	50/60Hz	60Hz	60Hz
	Rated Output	1.5kVA	1.5kVA	1.5kVA	1.5kVA
Consent Type					

Labels

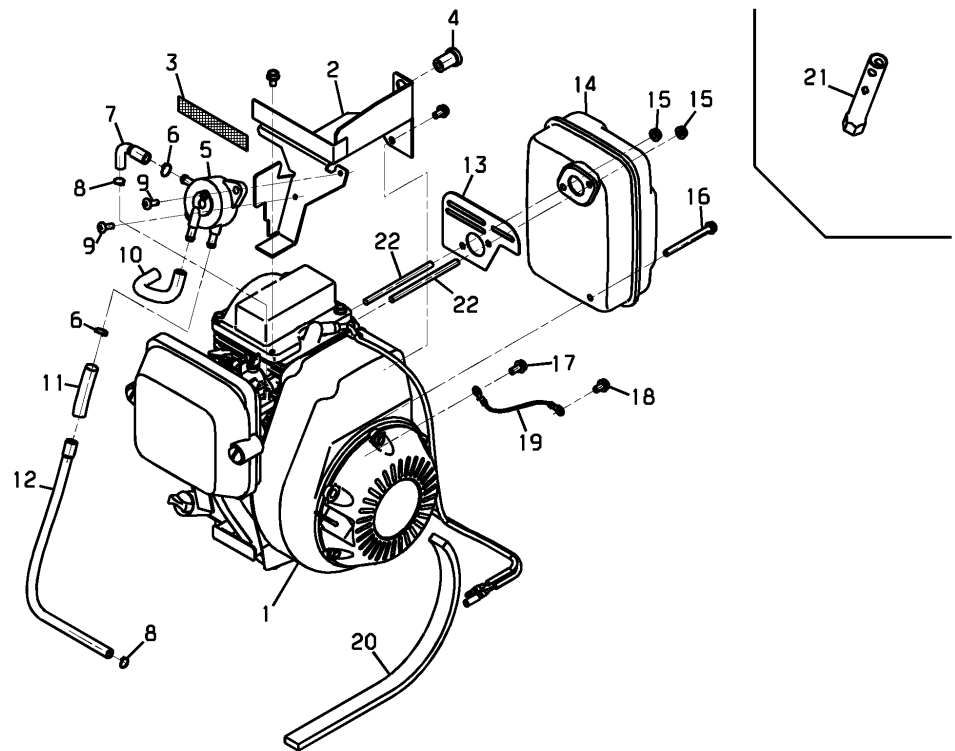
(SHX2000)



Ref No.	Part No.	Description	Reqd. No.	Type
1	5450 864 00X0	MARK EMBLEM	1	R, R/S, L, O
2	5450 862 00X0	MARK (HONDA)	1	R, R/S, L, O
3	5450 677 00X0	MARK (OIL CAUTION)	1	R, R/S, L, O
4	5460 552 00X0	CAUTION PLATE	1	R
	5460 552 10X0	CAUTION PLATE	1	R/S
	5460 552 20X0	CAUTION PLATE	1	L
	5460 552 30X0	CAUTION PLATE	1	O
5	5450 674 00X0	MARK (COCK)	1	R, R/S, L, O
6	5450 231 00X0	MARK (EARTH)	1	R, R/S, L, O
7	5450 873 00X0	MARK (HOT MUFFLER)	1	R, R/S, L, O
8	5450 863 00X0	MARK (HOT CAUTION)	1	R, R/S, L, O

Engine

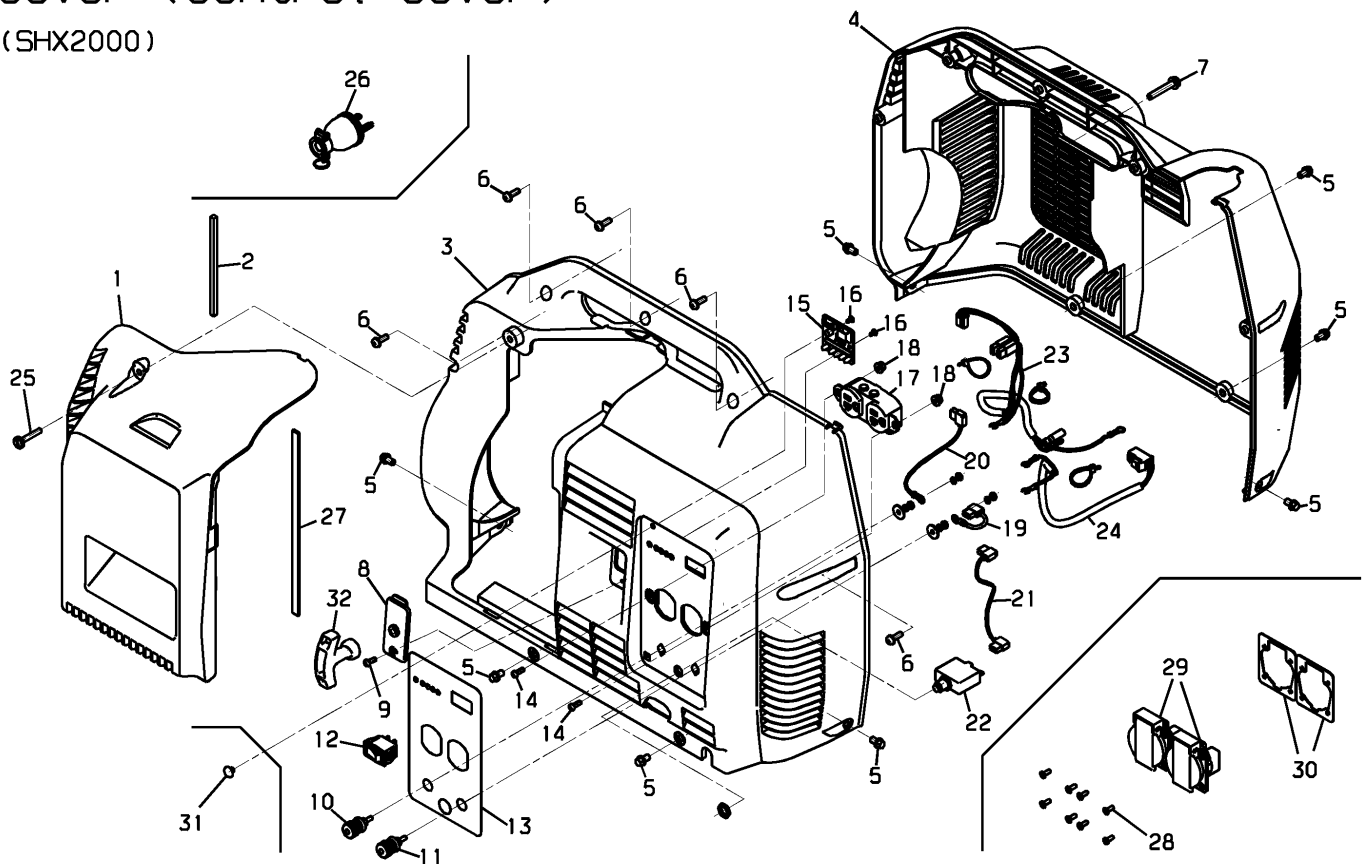
(SHX2000)



Ref No.	Part No.	Description	Reqd. No.	Type
1	—————	GX100-VSW ASSY	1	R,R/S,L,O
2	3222 487 00X0	PLATE HEAD	1	R,R/S,L,O
3	87135-ZE2-010	LABEL, E-SPEC	1	R,R/S,L,O
4	4120 202 00X0	RUBBER MOUNT(HEAD)	1	R,R/S,L,O
5	16700-ZL8-003	PUMP ASSY, FUEL	1	R,R/S,L,O
6	95002-02100	CLIP B10, TUBE	2	R,R/S,L,O
7	17703-Z0D-U00	TUBE B, FUEL	1	R,R/S,L,O
8	95002-02080	CLIP B8, TUBE	2	R,R/S,L,O
9	8030 050 1610	SCREW, 5X16	2	R,R/S,L,O
10	16882-Z0D-U00	TUBE, DIAPHRAGM	1	R,R/S,L,O
11	16854-ZH8-810	RUBBER, SUPPORTER	1	R,R/S,L,O
12	17702-Z0D-U00	TUBE A, FUEL	1	R,R/S,L,O
13	18381-Z0D-000	GASKET, MUFFLER	1	R,R/S,L,O
14	3447 000 00X0	MUFFLER COMP	1	R,R/S,L,O
15	90343-ZE6-000	NUT, SELF LOCK 6MM	2	R,R/S,L,O
16	90015-ZG0-801	BOLT, FLANGE 6X65	1	R,R/S,L,O
17	5010 374 00X0	BOLT, FRANGE, 6X12 CT200	1	R,R/S,L,O
18	5010 323 50X0	BOLT, FRANGE, 6X10	1	R,R/S,L,O
19	1922 279 00X0	CORD W TERMINAL(EARTH 1)	1	R,R/S,O
	1922 279 10X0	CORD W TERMINAL(EARTH 1)	1	L
20	4140 057 00X0	SPONGE(SEAL)2	1	R,R/S,L,O
21	89216-130-690	WRENCH, SPARKING PLUG	1	R,R/S,L,O
22	90013-ZE6-710	BOLT, STUD, 6X90	2	R,R/S,L,O

Cover (Control Cover)

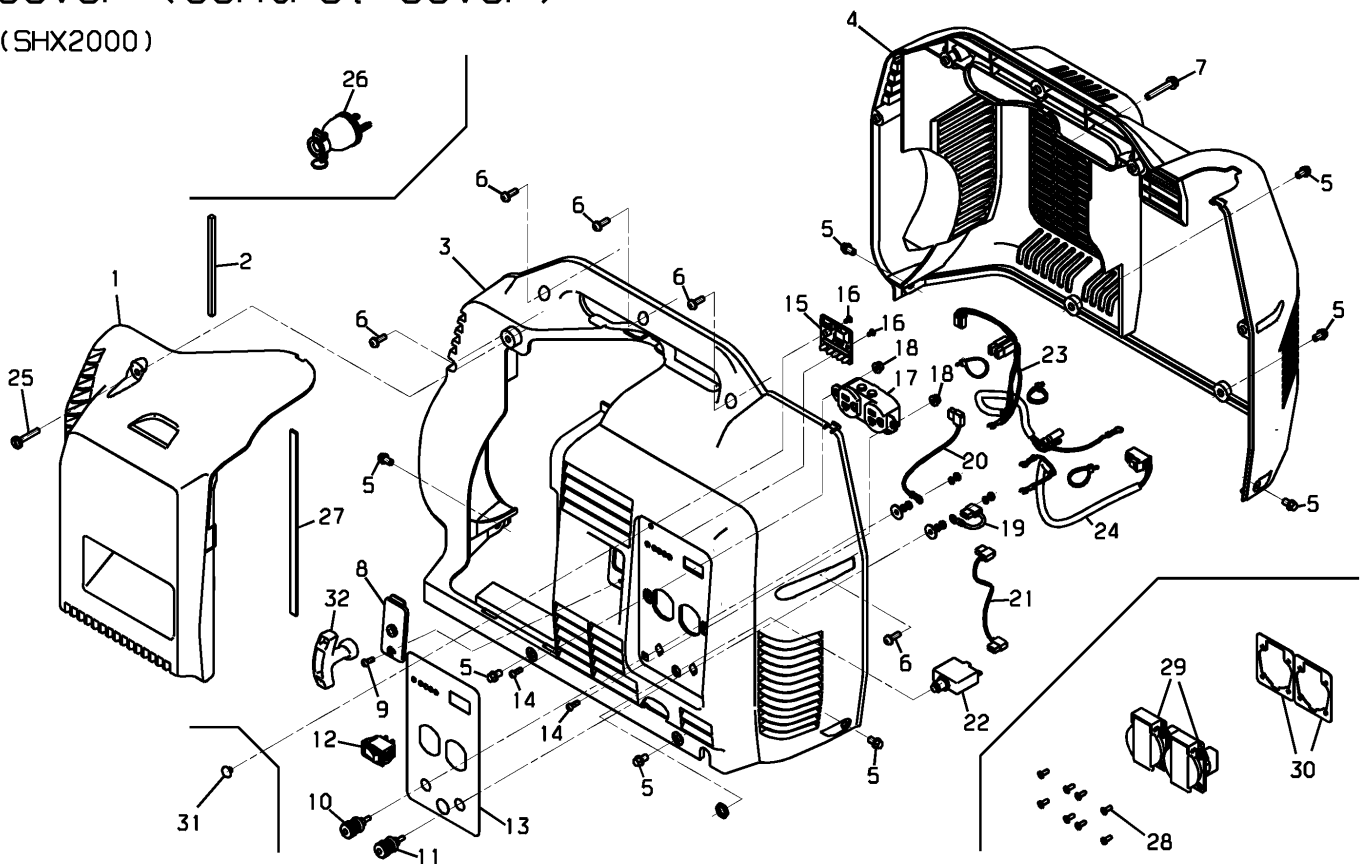
(SHX2000)



Ref No.	Part No.	Description	Reqd. No.	Type
1	4221 123 00X0	COVER, MAINTE	1	R, R/S, L, O
2	4140 058 00X0	SPONGE (SEAL) 3	1	R, R/S, L, O
3	4241 032 00X0	COVER, FRONT	1	R, R/S, L
	4241 032 10X0	COVER, FRONT	1	O
4	4241 033 00X0	COVER, REAR	1	R, R/S, L, O
5	5010 390 00X0	BOLT, FLANGE, 6X10	8	R, R/S, L, O
6	5000 112 90X0	SCREW, 5X16	5	R, R/S, L, O
7	5010 337 60X0	BOLT, FLANGE, 6X35	1	R, R/S, L, O
8	4223 073 00X0	HOLDER (HANDLE)	1	R, R/S, L, O
9	8080 044 1230	SCREW, TAPPING, 4X12	1	R, R/S, L, O
10	1585 104 00X0	TERMINAL ASSY(B)	1	R, R/S, L, O
11	1585 104 10X0	TERMINAL ASSY(R)	1	R, R/S, L, O
12	6030 136 00X0	ROCKER SWITCH	1	R, R/S, L, O
13	5480 706 00X0	PANEL PLATE	1	R
	5480 706 20X0	PANEL PLATE	1	R/S
	5480 706 10X0	PANEL PLATE	1	L
	5480 706 30X0	PANEL PLATE	1	O
14	8000 040 1010	SCREW, 4X10	2	R, R/S, L
15	1580 194 01X0	CONTROL ASSY(LED)	1	R, O
	1580 194 11X0	CONTROL ASSY(LED)	1	R/S
	1580 194 20X0	CONTROL ASSY(LED)	1	L
16	5008 023 20X0	TAPPING SCREW	2	R, R/S, L, O
17	6012 204 40X0	CONSENT	1	R, R/S, L
18	5020 065 00X0	NUT	2	R, R/S, L
19	1921 399 00X0	CORD W TERMINAL(DC1)	1	R, R/S, L, O
20	1921 402 00X0	CORD W TERMINAL(DC2)	1	R, R/S, L, O
21	1921 403 00X0	CORD W TERMINAL(DC3)	1	R, R/S, L, O
22	6036 223 20X0	BREAKER	1	R, R/S, L, O

Cover (Control Cover)

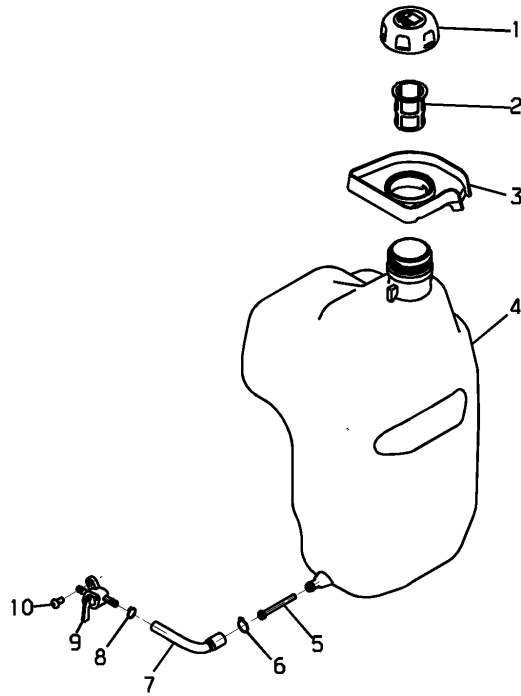
(SHX2000)



Ref No.	Part No.	Description	Reqd. No.	Type
23	1902 769 00X0	COUPLER ASSY(O/A)	1	R,R/S
	1902 769 10X0	COUPLER ASSY(O/A)	1	L
	1902 804 10X0	COUPLER ASSY(O/A)	1	O
24	1902 773 00X0	COUPLER ASSY(AC)	1	R,R/S
	1902 773 10X0	COUPLER ASSY(AC)	1	L
	1902 773 20X0	COUPLER ASSY(AC)	1	O
25	5000 151 00X0	SCREW, 5X30	1	R,R/S,L,O
26	6013 032 10X0	PLUG	2	R,R/S,L
27	4140 063 00X0	SPONGE(SEAL)5	1	R,R/S,L,O
28	8010 040 1230	SCREW, 4X12	8	O
29	6012 223 00X0	CONSENT	2	O
30	6288 174 00X0	PLATE	2	O
31	6411 006 00X0	CAP	1	R/S
32	28461-Z0D-033	GRIP STARTER	1	R,R/S,L,O

Fuel Tank

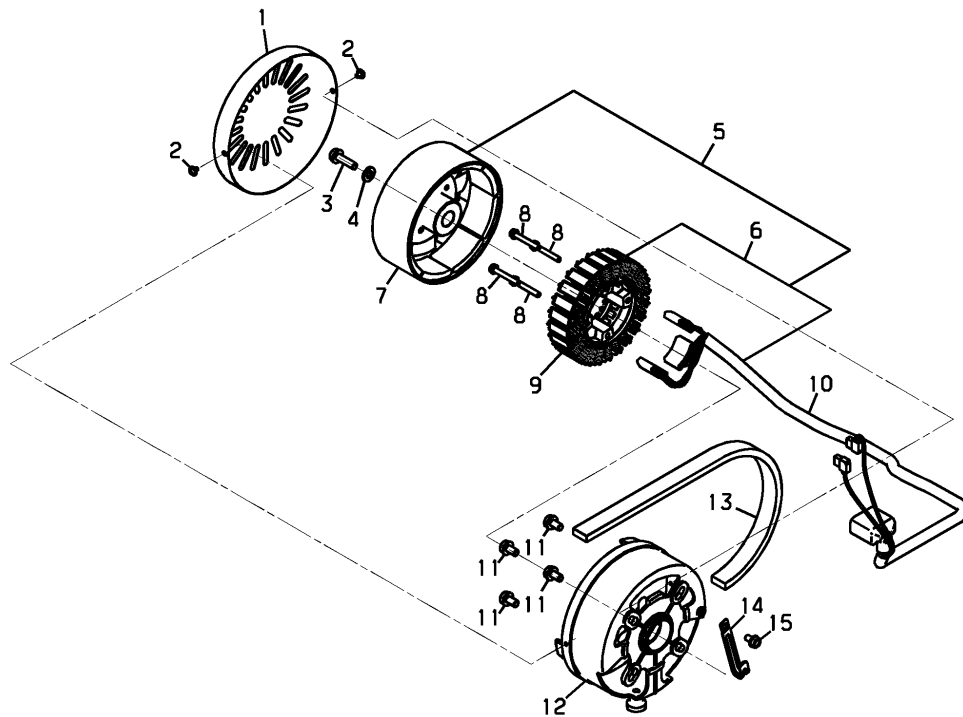
(SHX2000)



Ref No.	Part No.	Description	Reqd. No.	Type
1	17620-ZL8-013	CAP ASSY, FUEL TANK	1	R, R/S, L, O
2	17670-ZC3-700	FILTER COMP, FUEL	1	R, R/S, L, O
3	4101 153 00X0	GUIDE (CAP, TANK)	1	R, R/S, L, O
4	4227 002 00X0	TANK, FUEL	1	R, R/S, L, O
5	16952-ZE6-000	STAR INER, FUEL	1	R, R/S, L, O
6	95002-70000	CLIP C11, TUBE	1	R, R/S, L, O
7	17701-Z0D-U00	TUBE, FUEL TANK	1	R, R/S, L, O
8	95002-02080	CLIP B8, TUBE	1	R, R/S, L, O
9	16960-YA0-015	FUEL COCK ASSY	1	R, R/S, L, O
10	8000 050 1010	SCREW, 5X10	1	R, R/S, L, O

Stator / Rotor / Housing

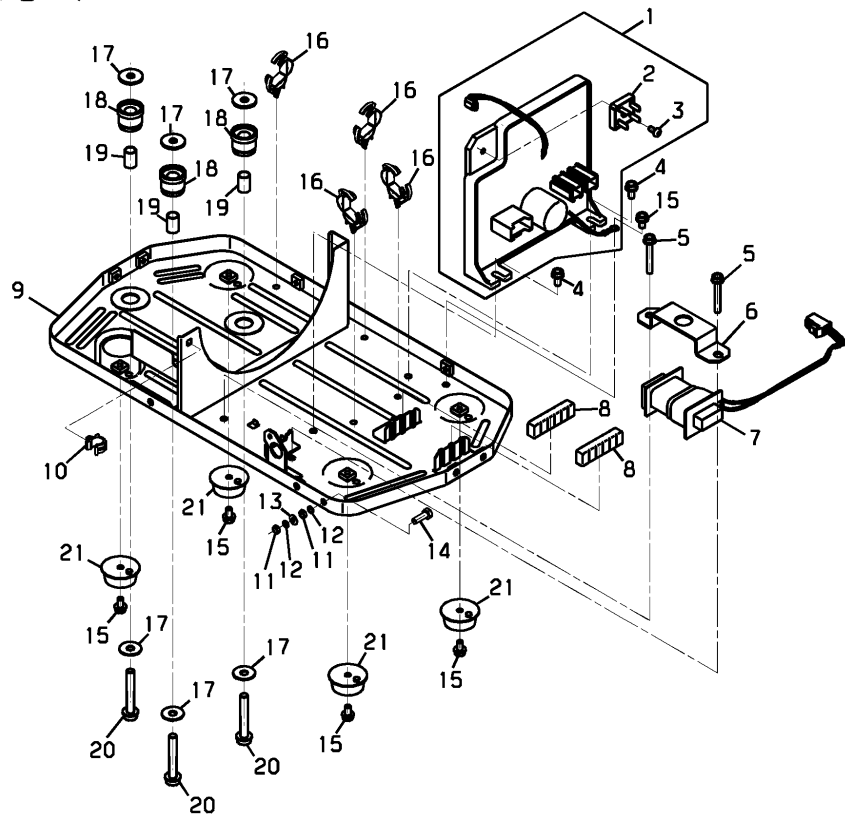
(SHX2000)



Ref No.	Part No.	Description	Reqd. No.	Type
1	3405 104 00X0	COVER CLEANER	1	R,R/S,L,0
2	8070 043 0650	SCREW, TAPPING 4X6	2	R,R/S,L,0
3	5010 324 50X0	BOLT, 8X25	1	R,R/S,L,0
4	5030 108 10X0	WASHER, PLAIN	1	R,R/S,L,0
5	023J 182 04A0	GENERATOR	(1)	R,R/S,0
	023J 182 03A0	GENERATOR	(1)	L
6	1211 999 00X0	STATOR ASSY	(1)	R,R/S,0
	1214 028 00X0	STATOR ASSY	(1)	L
7	1221 323 00X0	ROTOR COMP	1	R,R/S,L,0
8	8076 053 3550	SCREW, TAPPING, 5X35	4	R,R/S,L,0
9	1219 127 00X0	STATOR COMP	1	R,R/S,0
	1219 128 00X0	STATOR COMP	1	L
10	1902 765 00X0	COUPLER ASSY	1	R,R/S,0
	1902 765 10X0	COUPLER ASSY	1	L
11	5010 324 30X0	BOLT, 8X16	4	R,R/S,L,0
12	2242 171 01X0	HOUSING	1	R,R/S,L,0
13	4140 056 00X0	SPONGE(SEAL)	1	R,R/S,L,0
14	3042 006 10X0	PLATE	1	R,R/S,L,0
15	8076 053 0850	SCREW, TAPPING, 5X8	1	R,R/S,L,0

Cover (Under Cover)

(SHX2000)



Ref No.	Part No.	Description	Reqd. No.	Type
1	1580 195 00X0	CONTROL COMP	1	R,R/S
	1580 195 10X0	CONTROL COMP	1	L
	1580 195 20X0	CONTROL COMP	1	O
2	6070 327 00X0	DIODE	1	R,R/S,L,O
3	8083 053 1610	SCREW, TAPPING, 5X16	1	R,R/S,L,O
4	5010 323 20X0	BOLT, 6X12	2	R,R/S,L,O
5	5010 466 00X0	BOLT, 6X35	2	R,R/S,O
	5010 466 10X0	BOLT, 6X35	2	L
6	3222 486 00X0	HOLDER COIL	1	R,R/S,O
	3222 486 10X0	HOLDER COIL	1	L
7	1586 067 01X0	CHOKE COMP	1	R,R/S,O
	1586 069 00X0	CHOKE COMP	1	L
8	17533-ZM7-000	RUBBER B, TANK MT	2	R,R/S,L,O
9	3409 393 00X0	COVER UNDER	1	R,R/S,O
	3409 393 10X0	COVER UNDER	1	L
10	16731-ZE2-003	CLIP TUBE	1	R,R/S,L,O
11	8260 063 0090	NUT M6	2	R,R/S,L,O
12	8320 062 0090	WASHER, SPRING	2	R,R/S,L,O
13	8300 061 0010	WASHER, PLAIN	1	R,R/S,L,O
14	5010 000 00X0	BOLT, 6X18	1	R,R/S,L,O
15	5010 323 50X0	BOLT, 6X10	5	R,R/S,L,O
16	90684-ZA0-601	CLIP, HARNESS	4	R,R/S,L,O
17	94103-08000	WASHER, PLAIN, 8MM	6	R,R/S,L,O
18	4120 201 00X0	RUBBER, ENGINE MT	3	R,R/S,L,O
19	2400 288 00X0	COLLAR	3	R,R/S,L,O
20	5010 338 60X0	BOLT, 8X45	3	R,R/S,L,O
21	60407-ZA7-000	RUBBER, BUTTOM	4	R,R/S,L,O