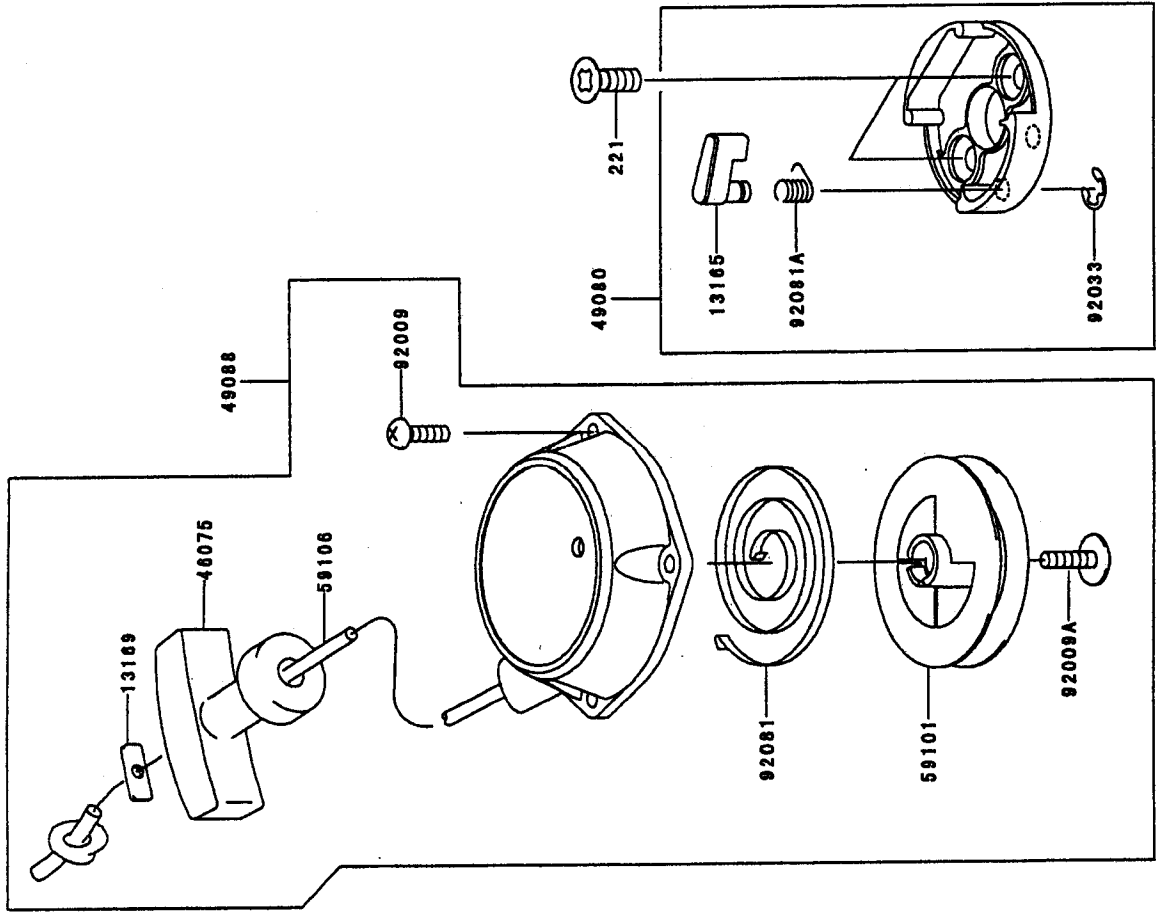


This catalog covers:

TH023V-□F90

This fig. covers:

08 STARTER



Ref. No.	Part No.	Description	Quantity
13165	13165-2052	PAWL	1
13169	13169-2386	PLATE, RECOIL STARTER	1
46075	46075-2116	GRIP, RECOIL STARTER	1
49080	49080-2099	PULLEY-STARTING	1
49088	49088-2515	STARTER-RECOIL	1
59101	59101-2106	REEL, RECOIL STARTER	1
59106	59106-2147	ROPE, 3.5X800	1
92009	92009-2236	SCREW, 4X14	4
92009A	92009-2358	SCREW	1
92033	92033-2010	RING-SNAP	1
92081	92081-2238	SPRING, RECOIL	1
92081A	92081-2253	SPRING	1
221	221B0616	SCREW-CSK-CROS	2