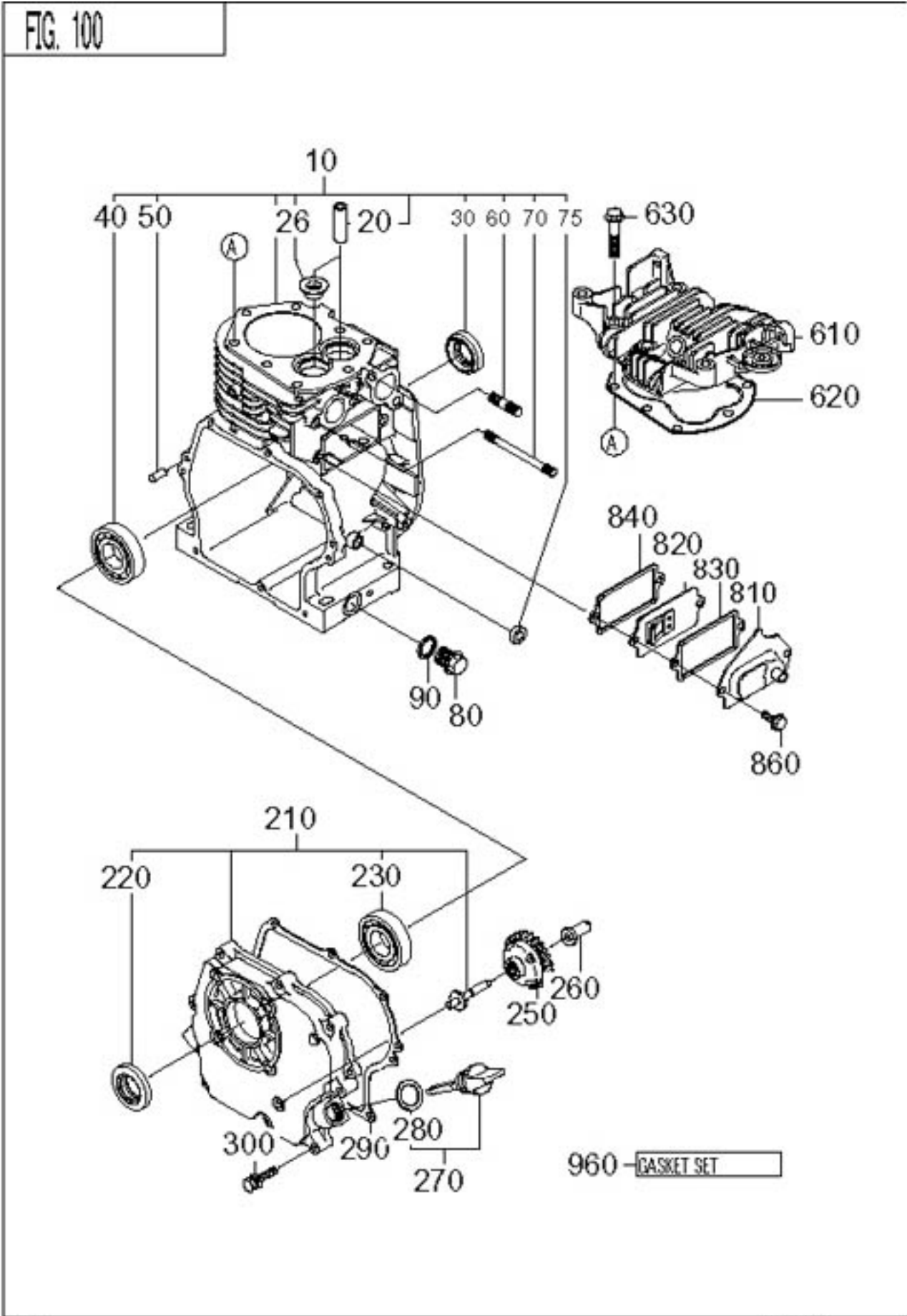


EY153D10000/100 CRANK CASE

FIG. 100



EY153

281010000E

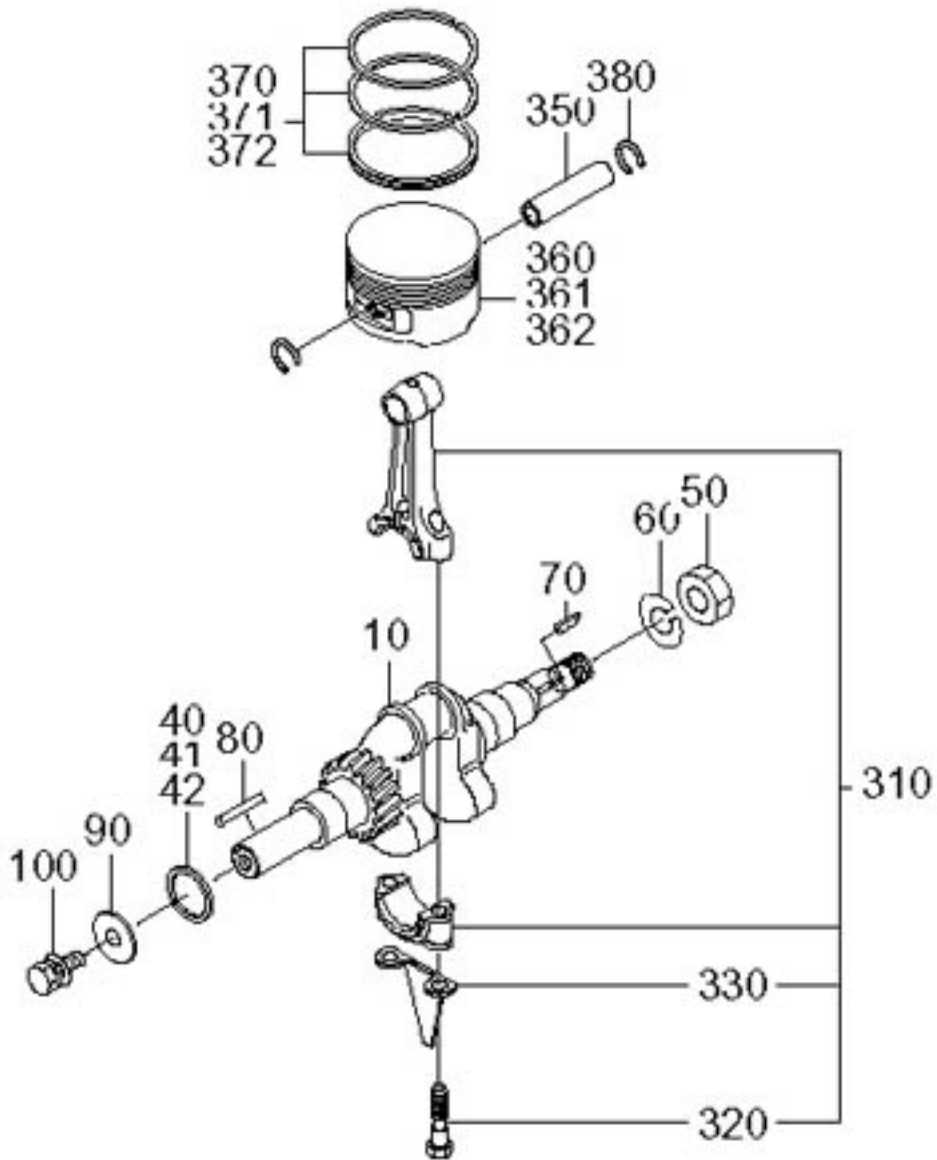
EY153D10000/100 CRANK CASE

Ref.No.	Part Number	Description	Q'ty	Remarks	Code No.	Interchangeable Part Number	Service News
10	281-10111-01	CRANK CASE CP	1	W/STEM SEAL	-		
20	227-14202-03	VALEVE GUIDE	2	6.5DX11DX35L	-		
26	282-16301-03	STEM SEAL	1	5.7DX14DX24DX10.2T	-		
30	044-02501-50	OIL SEAL	1	25DX38DX7B	-		
40	X60-02501-90	BALL BEARING	1	25DX52DX15B	-		
50	031-00600-20	DOWEL PIN	2	6DX14.5L	-		
60	010-50802-50	STUD	2	M8X1.25X25L	-		
70	010-50601-20	STUD	2	M6X1.0X82L	-		
75	044-00800-10	OIL SEAL	1	8DX14DX4B	-		
80	040-11400-30	PLUG	2	M14X1.5X20DX12L	-		
90	021-11400-20	GASKET	2	14.1DX19DX2.3T	-		
210	282-11001-01	MAIN BEARING COVER C	1	STD	-		
220	044-02501-60	OIL SEAL	1	25DX41DX7B	-		
230	X60-02501-90	BALL BEARING	1	25DX52DX15B	-		
250	227-45003-01	GOVERNOR GEAR CP	1	52DX26T N=25	-		
260	205-41901-03	GOVERNOR SLEEVE	1	6DX9DX16DX26L	-		
270	282-63601-H1	OIL GAUGE CP	2	M18X1.5,L=59+23	-		
280	X21-31600-20	GASKET	2	16DX23DX1.2T RUBBER	-		
290	227-16001-03	GASKET (BEARING COV)	1	T=0.3	-		
300	013-00600-40	BOLT AND WASHER AY	8	M6X1.0X30L W/SW	-		
610	226-13001-13	CYLINDER HEAD	1		-		

620	281-15001-01	GASKET CP (HEAD)	1	T=1.5	-		
630	011-00800-10	FLANGE BOLT	8	M8X1.25X17DX40L	-		
810	227-14301-01	TAPPET COVER CP	1		-		
820	227-14401-01	BREATHER PLATE CP	1		-		
830	282-16006-03	GASKET (TAPPET COVER)	1	T=0.8	-		
840	282-16007-23	GASKET (BREATHER PLA)	1	T=1.5	-		
860	011-00600-20	FLANGE BOLT	2	M6X1.0X14DX12L	-		
960	281-99001-17	GASKET SET	1		-		

EY153D10000/200 CRANKSHAFT,PISTON

FIG. 200



EY153

281020000E

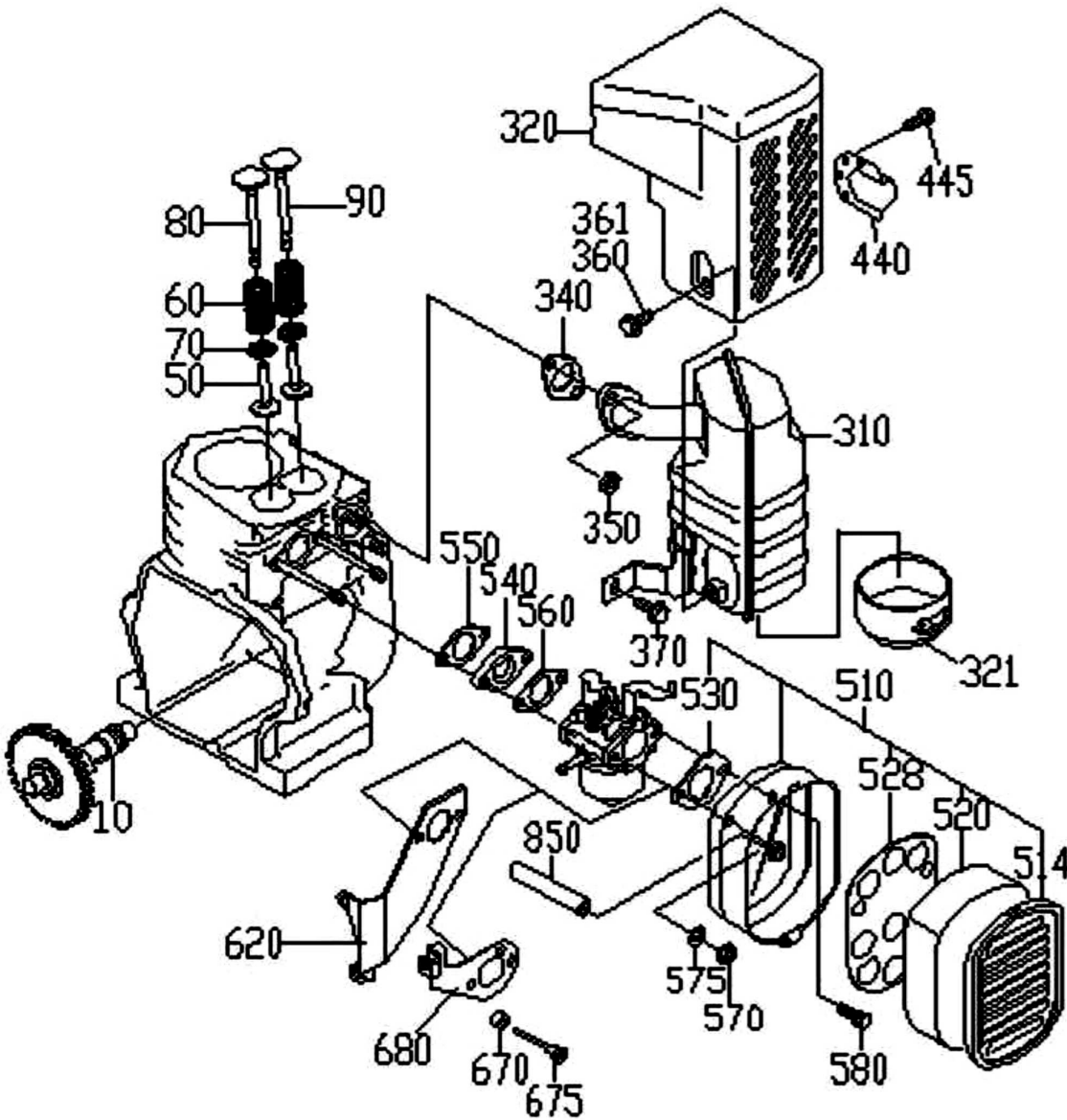
EY153D10000/200 CRANKSHAFT,PISTON

Ref.No.	Part Number	Description	Q'ty	Remarks	Code No.	Interchangeable Part Number	Service News
10	281-20301-01	CRANKSHAFT CP	1	L=272 18DX55 +M14X15L	-		
40	023-02501-10	SPACER	1	25.3DX32DX0.6T	-		
41	023-02501-20	SPACER	1	25.3DX32DX0.8T	-		
42	023-02501-30	SPACER	1	25.3DX32DX1.0T	-		
50	002-18140-00	NUT	1		-		
60	003-20140-00	SPRING WASHER	1		-		
70	032-30300-10	WOODRUFF KEY	1	3BX6HX16D	-		
310	226-22501-10	CONNECTING ROD AY	1	83CDX23B 24D-14D	-		
320	226-23001-13	CONNECTING ROD BOLT	2	M6X1.0X13.5DX35L	-		
330	226-23101-03	OIL SCRAPER	1		-		
350	282-23301-03	PISTON PIN	1	14DX9DX52L	6666-		
350	214-23301-13	PISTON PIN	1	14DX9DX52L	-6665	282-23301-03	
360	281-23411-H3	PISTON	1	STD (63DX52H)	6576-		
360	226-23411-03	PISTON	1	STD (63DX52H)	6362-6575	281-23411-H3	
360	281-23401-03	PISTON	1	STD (63DX42H)	-6361	226-23411-03	
361	281-23412-H3	PISTON	1	0.25 O.S.(63DX52H)	6576-		
361	226-23412-03	PISTON	1	0.25 O.S.(63DX52H)	6362-6575	281-23412-H3	
361	281-23402-03	PISTON	1	0.25 O.S.(63DX42H)	-6361	226-23412-03	
362	281-23413-H3	PISTON	1	0.50 O.S.(63DX52H)	6576-		
362	226-23413-03	PISTON	1	0.50 O.S.(63DX52H)	6362-6575	281-23413-H3	
362	281-23403-03	PISTON	1	0.50 O.S.(63DX42H)	-6361	226-23413-03	
370	226-23511-17	PISTON RING SET	1	STD (63D)	-		
371	226-23512-17	PISTON RING SET	1	0.25 O.S.(63D)	-		
372	226-23513-17	PISTON RING SET	1	0.50 O.S.(63D)	-		

380	056-51400-10	CLIP	2	15.3DX1.2D	-		
-----	--------------	------	---	------------	---	--	--

EY153D10000/300 INTAKE EXHAUST

FIG. 300



EY153

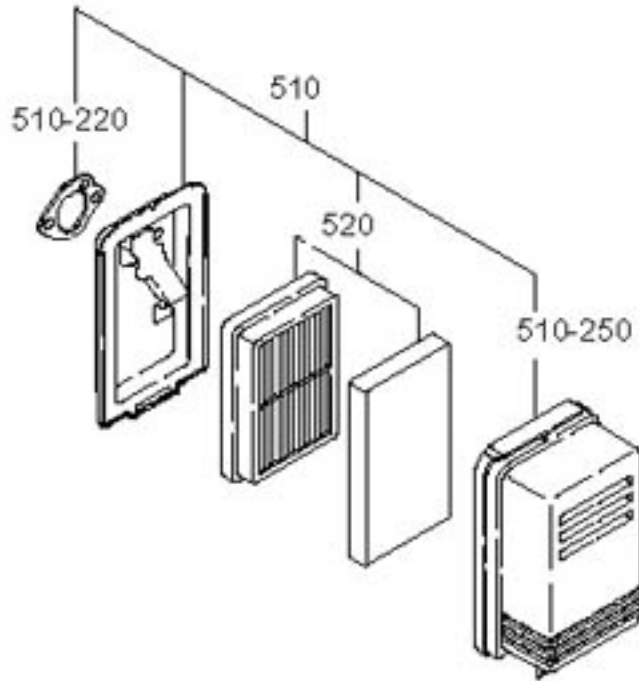
281030002E

EY153D10000/300 INTAKE EXHAUST

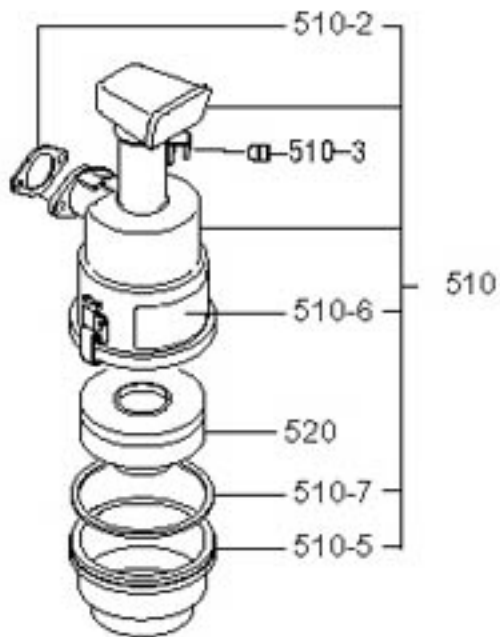
Ref.No.	Part Number	Description	Q'ty	Remarks	Code No.	Interchangeable Part Number	Service News
10	226-31701-13	CAMSHAFT	1	L=113 89DX8B N=44	-		
50	226-33301-03	TAPPET	2	21DX7DX35.6L	-		
60	227-33601-03	VALVE SPRING	2	20DX2.3DX37L N=8	-		
70	227-33701-03	SPRING RETAINER	2	4.4WX22.7DX5.3T	-		
80	281-33401-03	INTAKE VALVE	1	27DX6.5DX82.3L	-		
90	281-33501-03	EXHAUST VALVE	1	23DX6.5DX82.4L	-		
310	281-30101-N1	MUFFLER CP	1		6301-		
310	281-30101-L1	MUFFLER CP	1		-6300		
320	281-34201-J1	MUFFLER COVER CP	1		6301-		
320	281-34201-H1	MUFFLER COVER CP	1		-6300		
340	281-35201-01	GASKET CP (EXHAUST)	1	T=1.5 24D 8.5DX44P	-		
350	017-00800-30	NUT	2	M8X1.25X6.5H	-		
360	011-00600-10	FLANGE BOLT	3	M6X1.0X14DX8L	-		
370	011-00600-20	FLANGE BOLT	1	M6X1.0X14DX12L	-		
540	227-32901-13	INSULATOR	1	T=7 22D 6.5DX42P	-		
550	282-35901-03	GASKET (INSULATOR)	1	T=0.5 25D 6.5DX42P	-		
560	227-35904-03	GASKET 2 (INSULATOR)	1	T=0.3 22.5D 6.5DX42P	-		
570	226-39212-00	NUT AND WASHER AY	2	M6X1.0X14DX6H W/ SW	-		
580	001-10061-20	BOLT AND WASHER AY	1		-		
850	085-10802-10	RUBBER PIPE	1	8DX11DX64L	-	085-10800-00	

EY153D10000/315 INTAKE EXHAUST

FIG. 315



OIL BATH



EY153

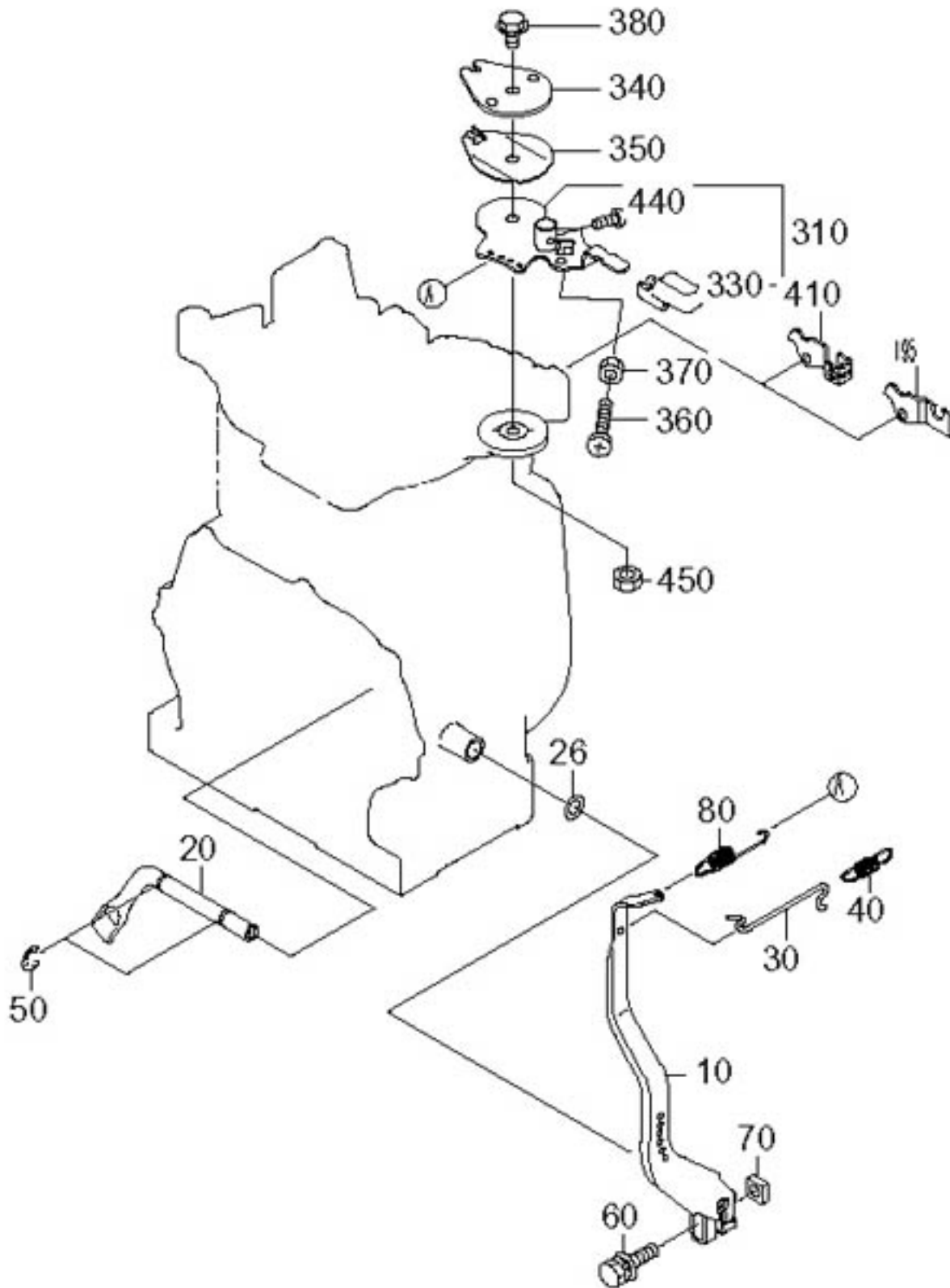
281031301E

EY153D10000/315 INTAKE EXHAUST

Ref.No.	Part Number	Description	Q'ty	Remarks	Code No.	Interchangeable Part Number	Service News
510	282-32610-00	AIR CLEANER AY	1	DUAL	-		
510-220	282-32651-08	PACKING	1		-		
510-250	282-32640-08	COVER CP	1		-		
520	282-32601-07	ELEMENT SET	1	DUAL	-		

EY153D10000/400 GOVERNOR, OPERATION

FIG. 400



EY153

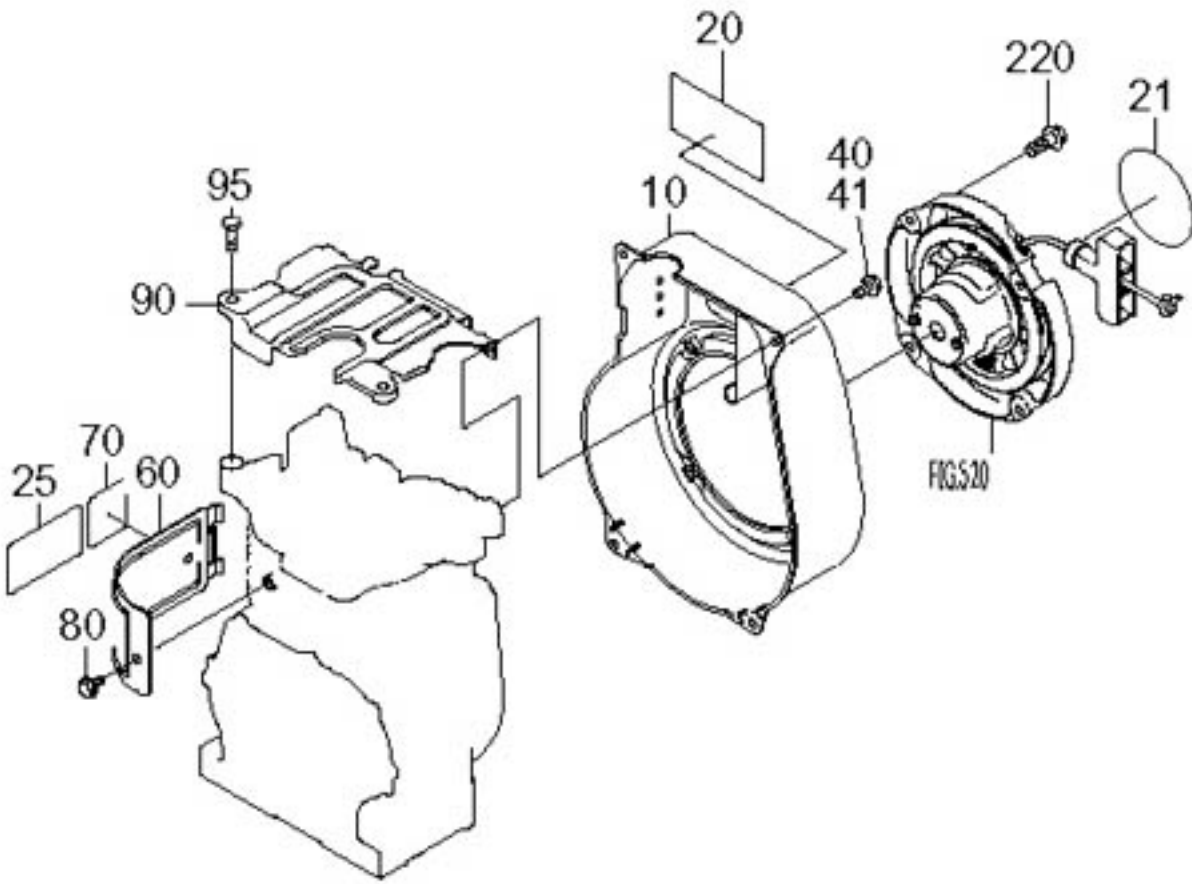
281040000E

EY153D10000/400 GOVERNOR,OPERATION

Ref.No.	Part Number	Description	Q'ty	Remarks	Code No.	Interchangeable Part Number	Service News
10	281-42301-01	GOVERNOR LEVER CP	1		-		
20	227-42201-03	GOVERNOR SHAFT	1		-		
26	003-11080-00	WASHER	1		-		
30	227-42701-01	GOVERNOR ROD	1		-		
40	227-42801-03	ROD SPRING	1	6DX0.5DX28L N=16	-		
50	003-13060-00	CLIP	2		-		
60	001-14062-50	BOLT AND WASHER AY	1		-		
70	018-60600-20	NUT	1	M6X1.0X4.9H SQUARE	-		
80	226-42501-13	GOVERNOR SPRING	1	6.9DX0.7DX45L N=14	-		
310	227-43301-10	SPEED CONTROL AY	1		-		
330	227-43601-03	KNOB	1		-		
340	227-43501-13	STOP PLATE	1		-		
350	227-45002-03	SPRING WASHER	1		-		
360	004-31063-00	SCREW	1		-		
370	002-27060-00	NUT	1		-		
380	011-00600-30	FLANGE BOLT	1	M6X1.0X14DX14L	-		

EY153D10000/500 COOLING,STARTING

FIG. 500



EY153

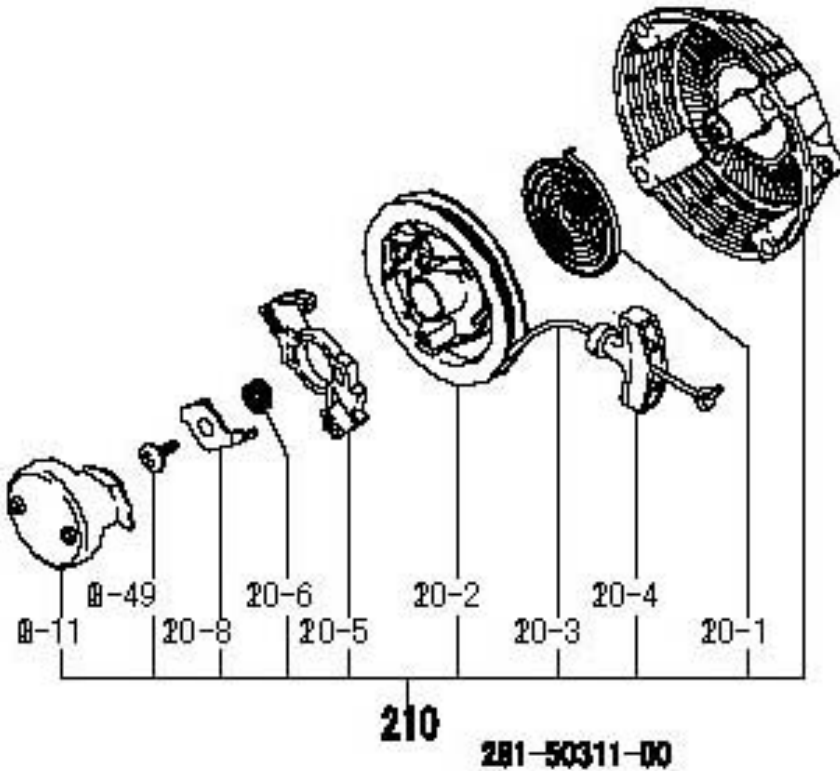
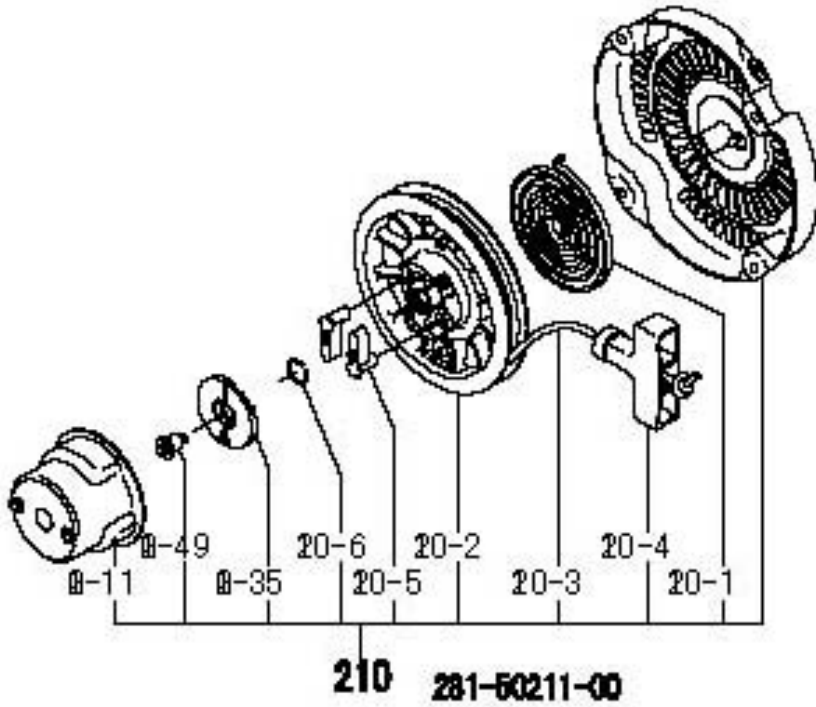
281050001E

EY153D10000/500 COOLING,STARTING

Ref.No.	Part Number	Description	Q'ty	Remarks	Code No.	Interchangeable Part Number	Service News
10	281-51260-11	BLOWER HOUSING CP	1	ROBIN YELLOW	-		
20	281-95101-13	LABEL (MODEL)	1	50X95	-		
21	073-20054-70	LABEL (TRADE MARK)	1	60D	6607-		
21	073-20051-40	LABEL (TRADE MARK)	1	64D	-6606	073-20054-70	
40	011-00600-20	FLANGE BOLT	4	M6X1.0X14DX12L	-		
60	226-52601-03	CYLINDER BAFFLE	1		-		
70	281-91802-H3	LABEL (ENGINE NAME)	1	38X38 JAPAN	-		
80	011-00600-10	FLANGE BOLT	1	M6X1.0X14DX8L	-		
90	226-52701-03	HEAD COVER	1		-		
220	011-00600-20	FLANGE BOLT	4	M6X1.0X14DX12L	-		

EY153D10000/520 COOLING, STARTING

FIG. 520



410

281-50311-00

EY153

28152001E

EY153D10000/520 COOLING,STARTING

Ref.No.	Part Number	Description	Q'ty	Remarks	Code No.	Interchangeable Part Number	Service News
210	281-50311-00	RECOIL STARTER AY	1	D 150PD NYLON	-		
210-1	226-50716-08	SPIRAL SPRING	1		-		
210-2	281-50320-08	REEL	1		-		
210-3	281-50310-08	STARTER ROPE	1		-		
210-4	281-50300-08	STARTER KNOB	1		-		
210-5	281-50325-08	RATCHET	1		-		
210-6	281-50330-08	FRICTION SPRING	1		-		
210-8	281-50340-08	FRICTION PLATE	1		-		
210-11	281-50345-08	STARTER PULLEY	1		-		
210-49	281-50351-08	CENTER SCREW	1		-		

EY153

281060001E

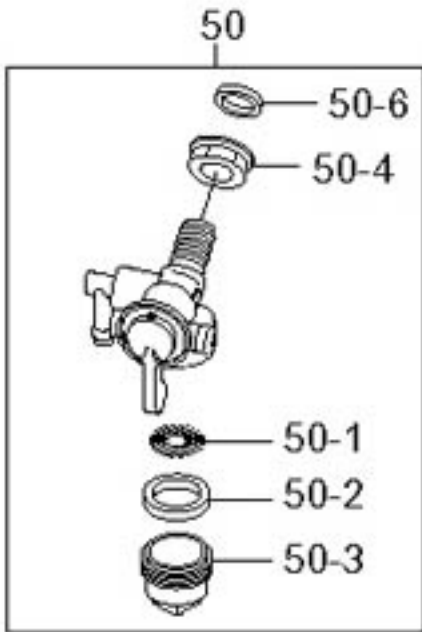
EY153D10000/600 FUEL LUBRICANT

Ref.No.	Part Number	Description	Q'ty	Remarks	Code No.	Interchangeable Part Number	Service News
10	281-60101-11	FUEL TANK CP	1	2.8L ROBIN YELLOW	-		
20	X73-20047-20	LABEL (CAUTION)	1	49X111 JAPAN	-		
30	043-04400-50	FUEL TANK CAP CP	1	43DX68DX14H BLACK	-		
40	064-13600-10	FUEL FILTER	1	36DX46DX43H	-		
60	002-38060-00	FLANGE NUT	2		-		
70	281-62601-H1	FUEL PIPE CP	1	6DX12D(FOMED)	-		
90	X56-11100-20	HOSE CLAMP	2	10.5DX8BX0.7T	-		
220	226-66002-13	PIPE (AIR VENT)	1	4DX8D(FORMED)	-		

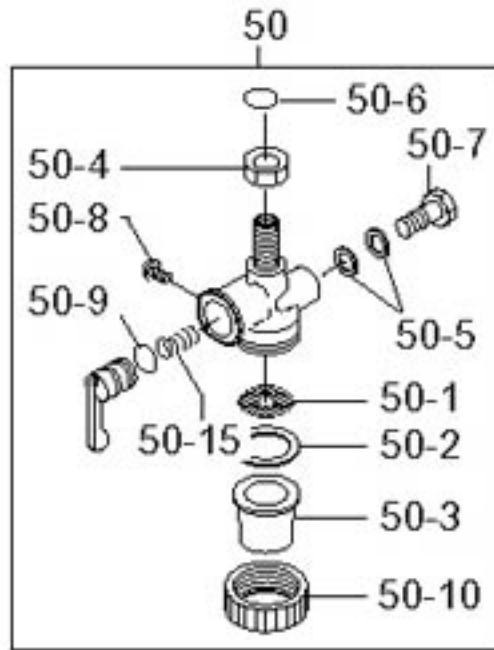
EY153D10000/630 FUEL LUBRICANT

FIG. 630

064-20064-00



064-20071-01



EY153

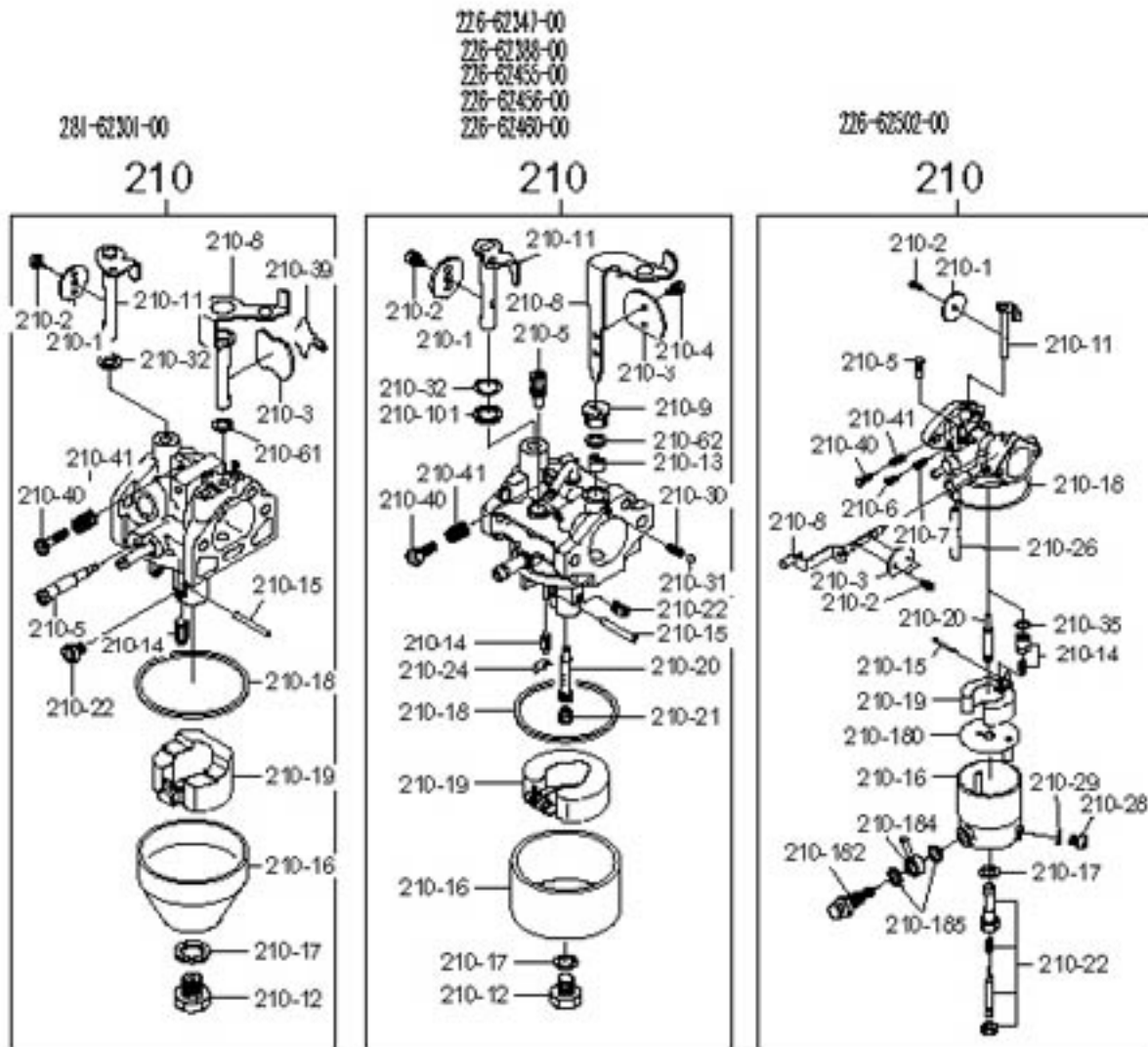
281063001E

EY153D10000/630 FUEL LUBRICANT

Ref.No.	Part Number	Description	Q'ty	Remarks	Code No.	Interchangeable Part Number	Service News
50	064-20064-00	FUEL STRAINER AY	1		-		
50-1	064-20064-20	FILTER	1		-		
50-2	064-20064-10	PACKING	1		-		
50-3	064-20042-10	CUP	1		-		
50-4	064-20064-30	NUT	1		-		
50-6	064-20064-40	PACKING	1		-		

EY153D10000/640 FUEL LUBRICANT

FIG. 640



EY153

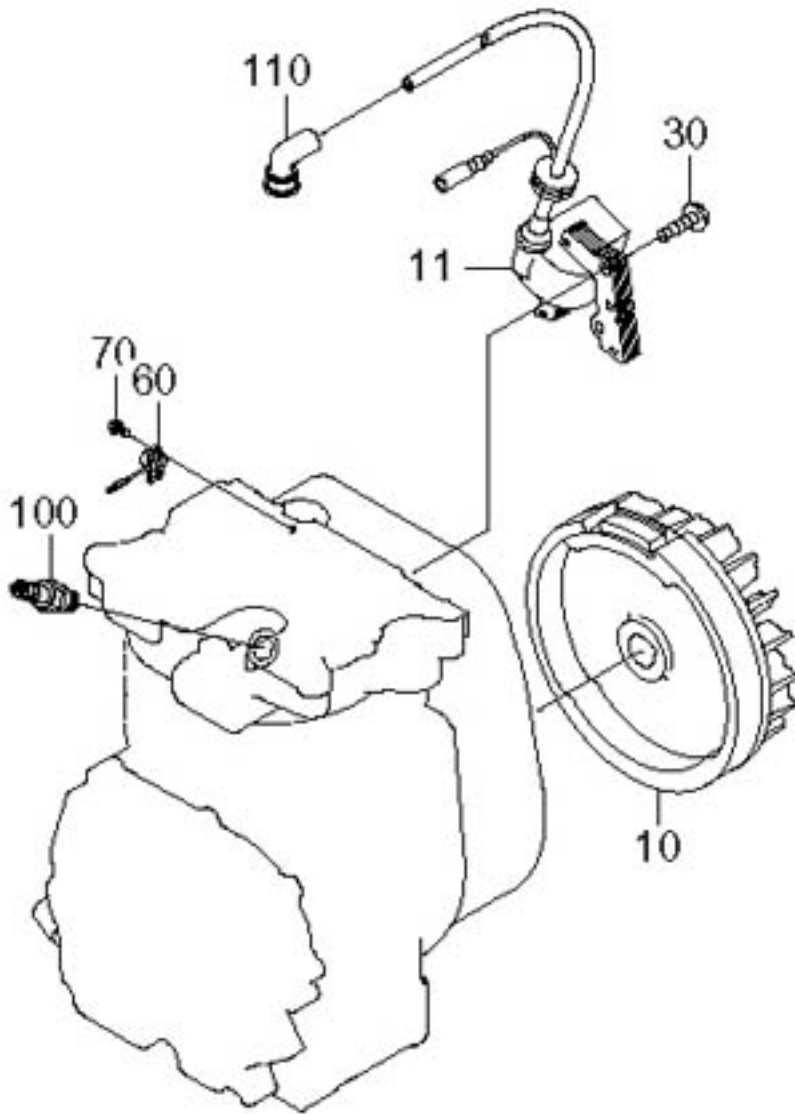
281064001E

EY153D10000/640 FUEL LUBRICANT

Ref.No.	Part Number	Description	Q'ty	Remarks	Code No.	Interchangeable Part Number	Service News
210	226-62456-00	CARBURETOR AY	1		-		
210-1	214-62535-08	THROTTLE VALVE	1	#165	-		
210-2	209-62351-08	SCREW	1		-		
210-3	227-62527-08	CHOKE VALVE	1		-		
210-4	237-62451-08	SCREW	2		-		
210-5	246-62420-08	PILOT JET	1	#40	-		
210-8	226-62520-18	SHAFT AY(CHOKE)	1		-		
210-9	226-62551-08	RING	1		-		
210-11	226-62532-08	SHAFT AY (THROTTLE)	1		-		
210-12	227-62451-08	BOLT	1		-		
210-13	226-62550-08	RING	1		-		
210-14	226-62502-08	NEEDLE VALVE AY- HOYO	1		-		
210-15	214-62515-08	PIN	1		-		
210-16	227-62558-08	FLOAT CHAMBER BODY	1		-		
210-17	214-62450-08	PACKING	1		-		
210-18	214-62540-08	CHAMBER PACKING	1		-		
210-19	226-62506-08	FLOAT	1		-		
210-20	226-62440-08	NOZZLE	1		-		
210-21	227-62441-08	NOZZLE	1		-		
210-22	253-62401-08	MAIN JET	1	#73.8	-		
210-24	226-62701-18	CLIP	1		-		
210-30	209-62446-08	CHOKE SPRING	1		-		
210-31	209-62353-08	STEEL BALL	1		-		
210-40	209-62352-08	SCREW	1		-		
210-41	209-62445-08	SPRING	1		-		
210-62	227-62559-08	SEAL	1		-		
210-101	156-62351-08	PACKING	1		-		
210-102	106-62392-08	SEAL	1		-		

EY153D10000/700 ELECTRIC DEVICE

FIG. 700



EY153

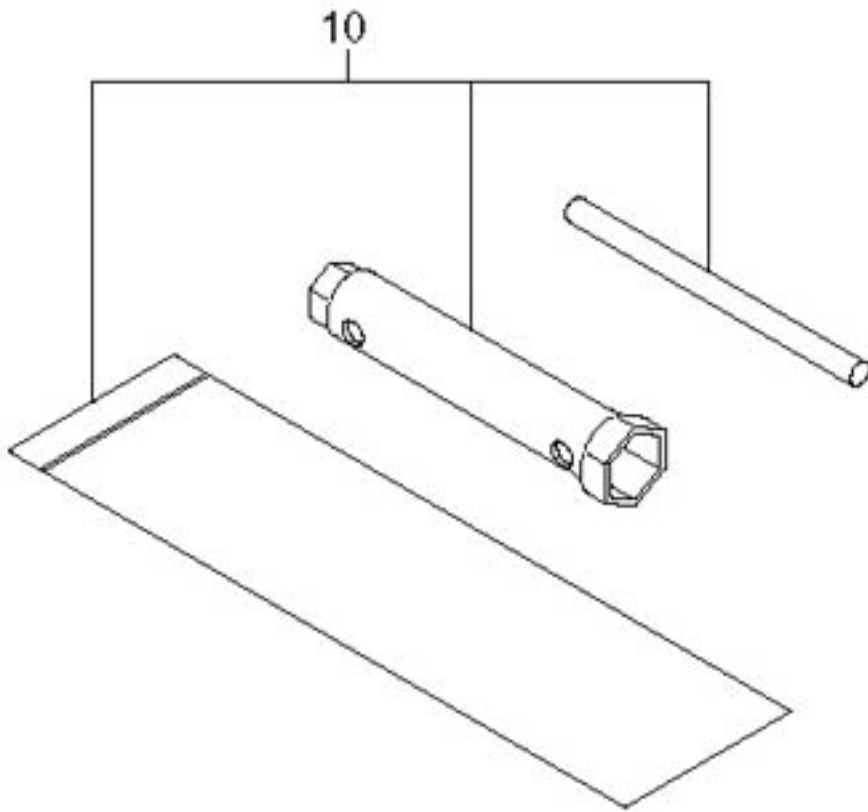
281070000E

EY153D10000/700 ELECTRIC DEVICE

Ref.No.	Part Number	Description	Q'ty	Remarks	Code No.	Interchangeable Part Number	Service News
10	281-79201-11	FLYWHEEL CP	1	MARK AP05	6635-		
10	281-79201-01	FLYWHEEL CP	1	MARK AP05	-6634	281-79201-11	
11	281-79401-01	IGNITION COIL CP	1	MARK BA	-		
30	011-00601-21	FLANGE BOLT	2	M6X1.0X13.5DX30L	-		
60	X66-00003-61	SWITCH AY	1		-		
70	015-00400-90	TAPPING SCREW	2	M4X12L	-		
100	065-01400-31	SPARK PLUG	1	NGK B6HS	-		
110	065-50000-51	SPARK PLUG CAP	1		-		

EY153D10000/900 ACCESSORIES LABEL

FIG. 900



EY153

281090000E

EY153D10000/900 ACCESSORIES LABEL

Ref.No.	Part Number	Description	Q'ty	Remarks	Code No.	Interchangeable Part Number	Service News
10	227-90301-10	ACCESSORY TOOL KIT	1		-		