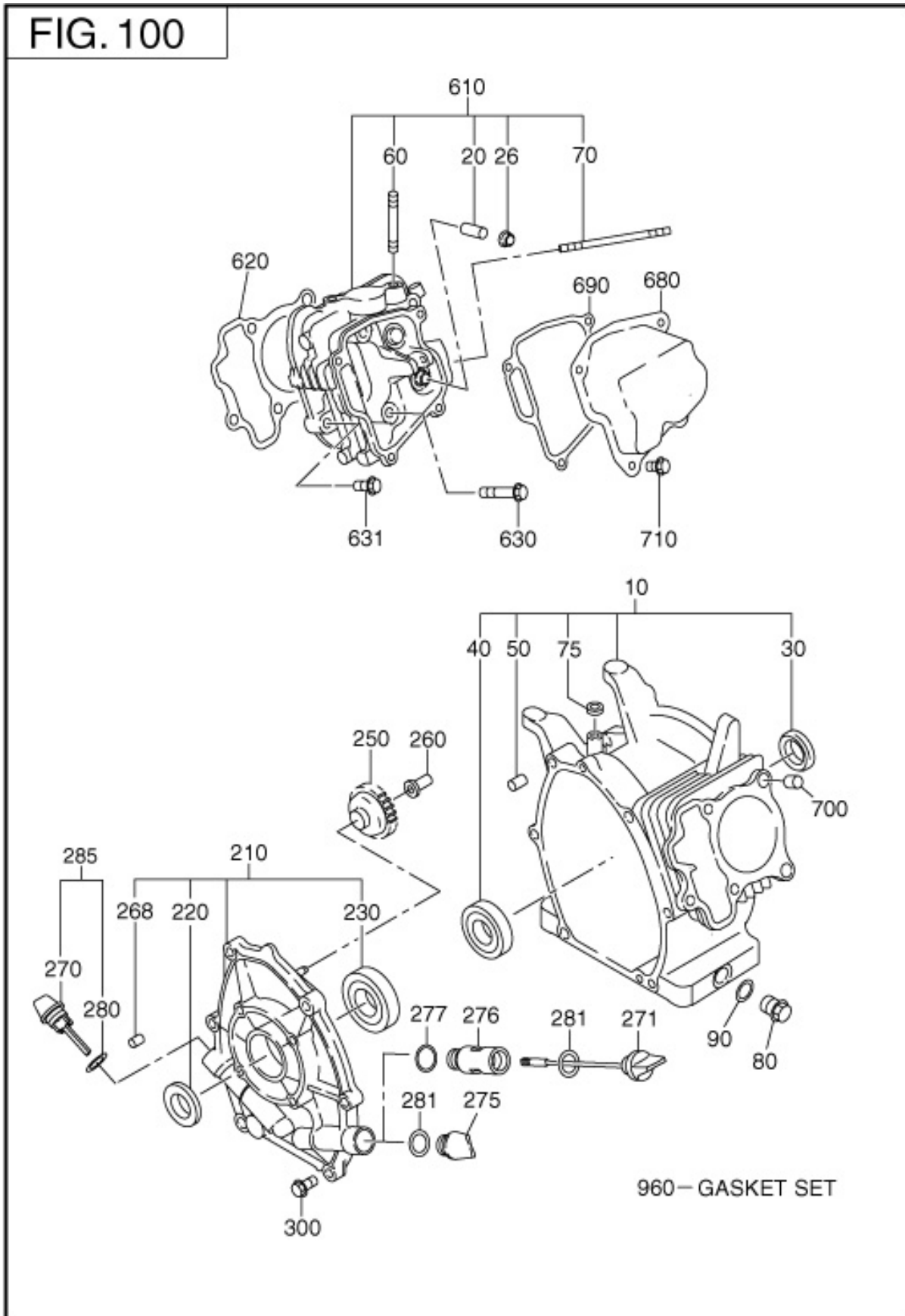
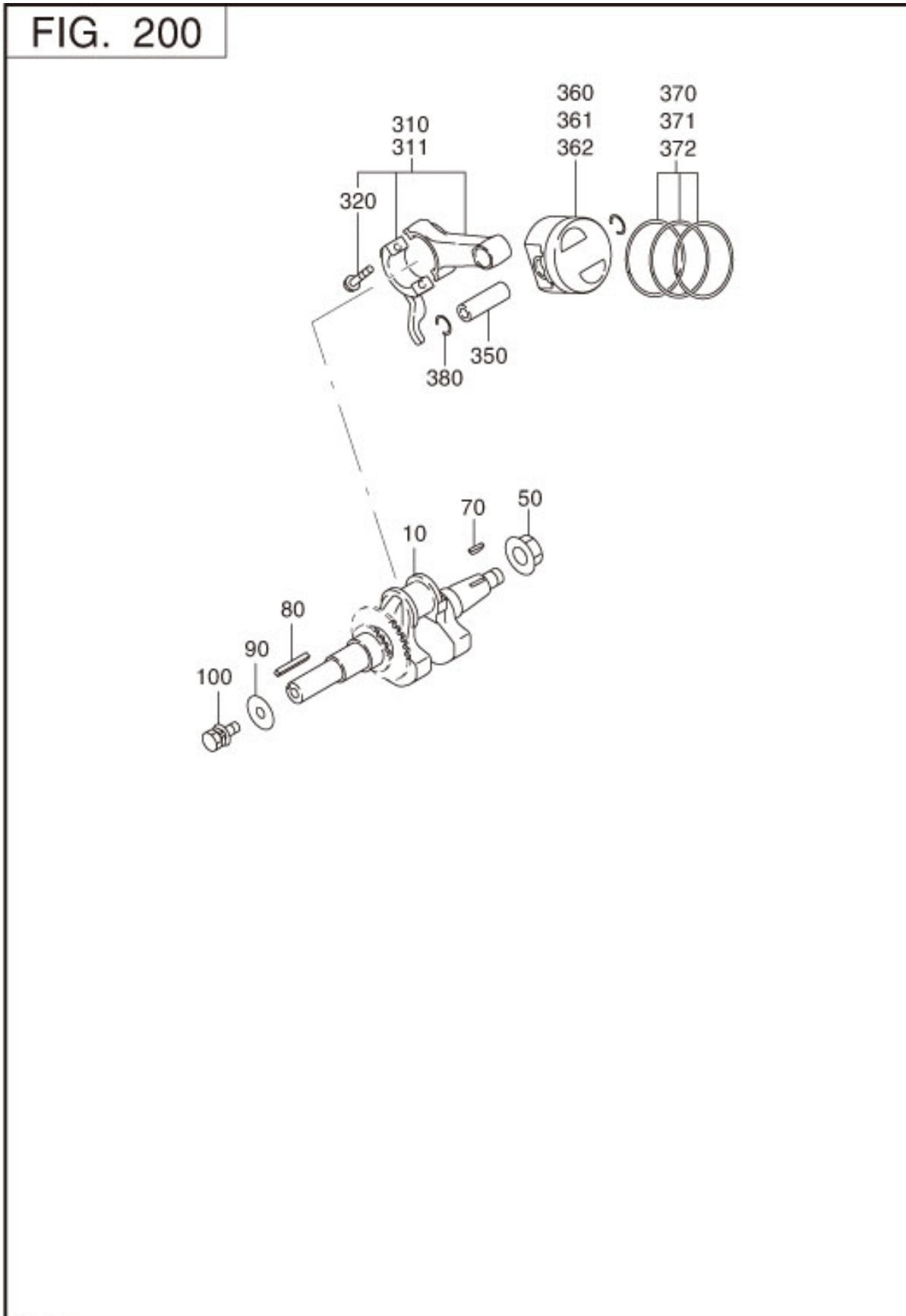


1 CRANK CASE



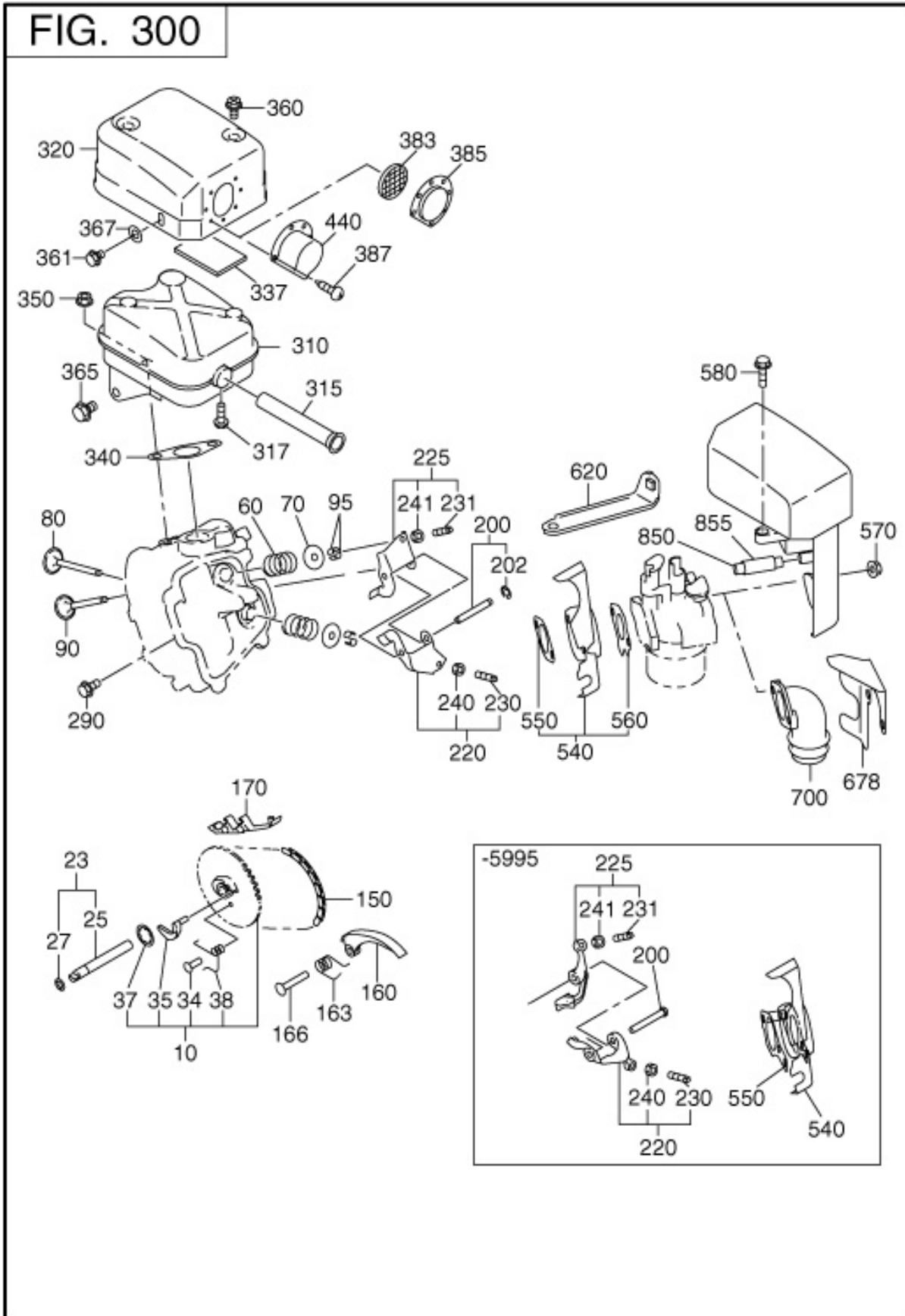
REF.	PART NUMBER	PART NAME	CODE NO.	QTY	REMARKS	INTERCHANGE
10	277-10102-41	CRANK CASE CP	-	1	W/OIL SENSOR	
20	237-14202-03	VALVE GUIDE	-	2	5.5DX9.5DX27L	
26	277-16010-01	STEM SEAL	-	1	5.5DX9.5DX15DX7.8B	
30	044-02502-00	OIL SEAL	-	1	25DX38DX7B	
40	060-02800-21	BALL BEARING	-	1	28DX58DX16B	
50	277-15011-03	PIPE KNOCK	-	2	10.3DX8.5DX14L	
60	010-50802-50	STUD	-	2	M8X1.25X25L	
70	010-50603-51	STUD	-	2	M6X1.0X98L	
75	044-00600-20	OIL SEAL	-	1	6DX10DX2.5B	
80	040-11400-30	PLUG	-	1	M14X1.5X20DX12L	
90	021-11400-20	GASKET	-	1	14.1DX19DX2.3T	
210	277-11002-21	MAIN BEARING COVER C	-	1	FLANGE 4-5/16-24UNF	
220	044-02502-10	OIL SEAL	-	1	25DX41.25DX6B	
230	060-02501-40	BALL BEARING	-	1	25DX52DX15B	
250	277-45004-J1	GOVERNOR GEAR CP	-	1	53DX29.1T N=33	
260	277-41901-03	GOVERNOR SLEEVE	-	1	6DX7.6DX16DX26L	
270	277-63601-13	OIL GAUGE	-	2	M18X1.5 L=70+18	
280	021-31600-20	GASKET	-	1	16DX23DX1.2T RUBBER	
300	001-04083-50	FLANGE BOLT	-	6		
610	277-13001-11	CYLINDER HEAD CP	-	1		
620	277-15001-23	GASKET(HEAD)	-	1	T=0.2	
630	011-00802-40	FLANGE BOLT	-	4	M8X1.25X16DX68L	
631	011-00803-10	FLANGE BOLT	-	1	M8X1.25X16DX33L	
680	277-15503-01	ROCKER COVER CP	-	1		
690	277-16001-13	GASKET(ROCKER COVER)	-	1	T=0.5	
700	277-15011-03	PIPE KNOCK	-	2	10.3DX8.5DX14L	
710	011-00600-20	FLANGE BOLT	-	4	M6X1.0X14DX12L	
960	277-99001-27	GASKET SET	-	1		

2 CRANKSHAFT,PISTON



REF.	PART NUMBER	PART NAME	CODE NO.	QTY	REMARKS	INTERCHANGE
10	277-21201-21	CRANKSHAFT CP	-	1	L=271 DH 19.2DX1/5.3	
50	018-01400-20	FLANGE NUT	-	1	M14X1.5X28DX12H	
70	032-30300-10	WOODRUFF KEY	-	1	3BX6HX16D	
310	277-22501-10	CONNECTING ROD AY	-	1	84.5CDX25B 30D-16D	
311	277-22502-00	CONNECTING ROD AY	-	1	0.25 U.S.	
320	277-23001-03	CONNECTING ROD BOLT	-	2	M6X1.0X13DX33L	
350	277-23301-13	PISTON PIN	-	1	16DX11DX48.5L	
360	277-23401-J3	PISTON	-	1	STD (67DX40H)	
361	277-23403-J3	PISTON	-	1	0.25 O.S.(67DX40H)	
362	277-23404-J3	PISTON	-	1	0.50 O.S.(67DX40H)	
370	277-23511-37	PISTON RING SET	-	1	STD(67D) OIL EXPANDE	
371	277-23512-17	PISTON RING SET	-	1	0.25 O.S. OIL EXPAND	
372	277-23513-17	PISTON RING SET	-	1	0.50 O.S. OIL EXPAND	
380	056-51600-10	CLIP	-	2	17.1DX1.4D	

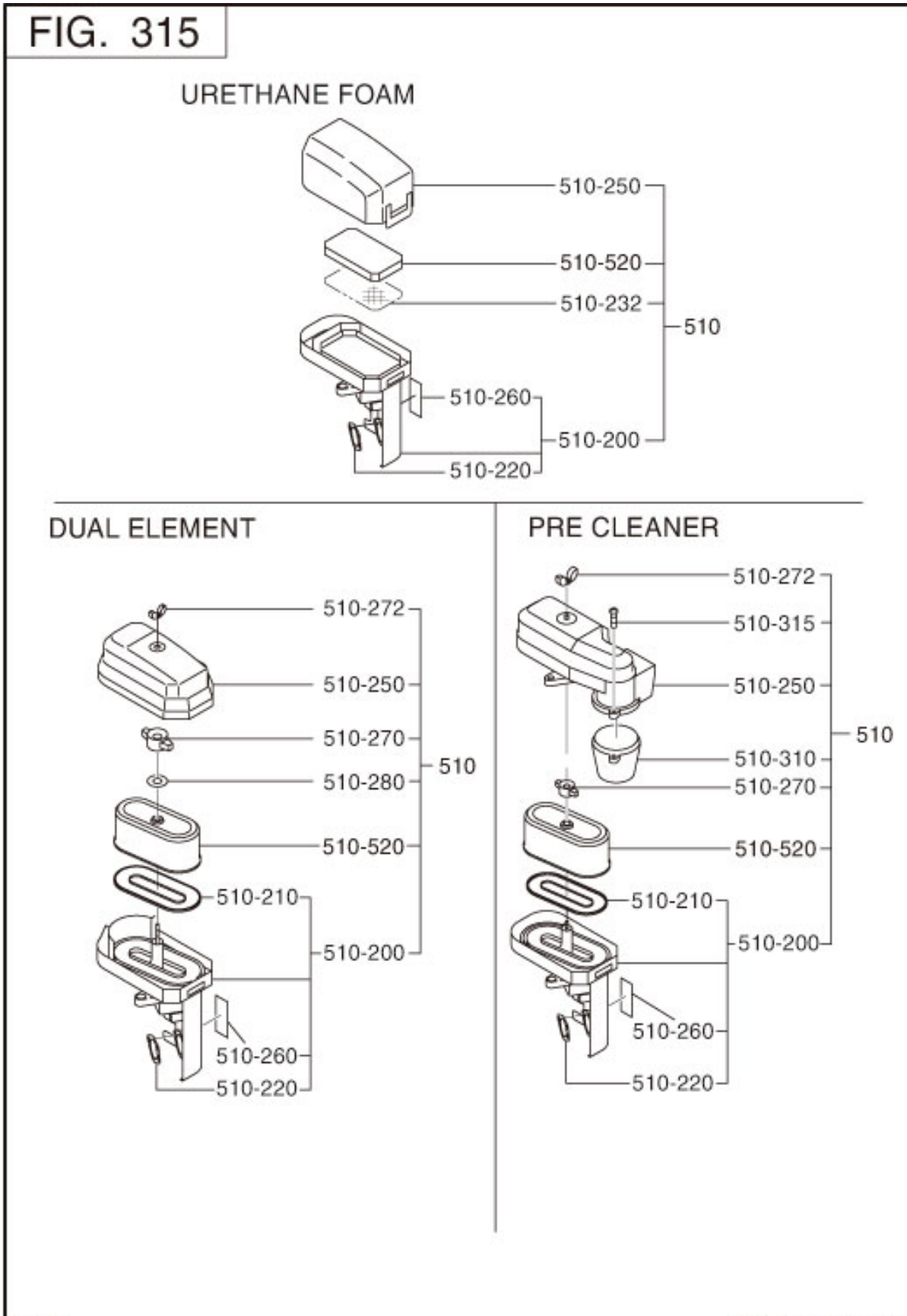
3 INTAKE EXHAUST



REF.	PART NUMBER	PART NAME	CODE NO.	QTY	REMARKS	INTERCHANGE
10	277-31601-31	CAM SHAFT CP	-	1	85DX2.9B N=40	
25	277-35101-03	PIN(CAM SHAFT)	-	1	9DX78.5L	
27	024-00600-10	O RING	-	1	5.8DX9.6D	
34	277-38601-03	PIN(SPRING)	-	1	4DX8DX9L	
35	277-36401-03	RELEASE LEVER	-	1		
37	277-36501-03	CLIP	-	1	13.8DX20.3DX0.4T	
38	277-38702-03	RETURN SPRING	-	1	5.1DX0.6DX4.4L N=7	
60	279-33601-03	VALVE SPRING	-	2	19.2DX2.3DX27.4L	
70	269-33701-03	SPRING RETAINER	-	2		
80	277-33401-H3	INTAKE VALVE	-	1	25.5DX5.5DX68.1L	
90	277-33501-H3	EXHAUST VALVE	-	1	23.5DX5.5DX68.1L	
95	132-10KA0-31	COLLET-VALVE	-	4		
150	277-35601-11	TIMING CHAIN CP	-	1	88 LINK	
160	277-36911-03	TENTIONER	-	1		
163	277-37101-03	SPRING(TENTIONER)	-	1	10DX1.8DX14L N=4.5	
166	277-36902-03	PIN(TENTIONER)	-	1	6DX13DX34L	
170	277-36913-13	CHAIN GUIDE	-	1		
200	277-35002-01	PIN(ROCKER) CP	-	1	6DX46L	
202	003-13050-00	CLIP	-	1		
220	277-36201-00	ROCKER ARM(IN) AY	-	1		
225	277-36202-00	ROCKER ARM(EX) AY	-	1		
230	014-90500-20	ADJUST SCREW	-	1	M5X0.5X23L	
231	014-90500-20	ADJUST SCREW	-	1	M5X0.5X23L	
240	017-00500-30	NUT	-	1	M5X0.5X4.1H	
241	017-00500-30	NUT	-	1	M5X0.5X4.1H	
290	011-00600-20	FLANGE BOLT	-	1	M6X1.0X14DX12L	
310	277-30101-J1	MUFFLER CP	7000-	1		
	277-30101-H1	MUFFLER CP	-6999	1		
320	277-34201-21	MUFFLER COVER CP	7031-	1		
	277-34201-11	MUFFLER COVER CP	-7030	1		

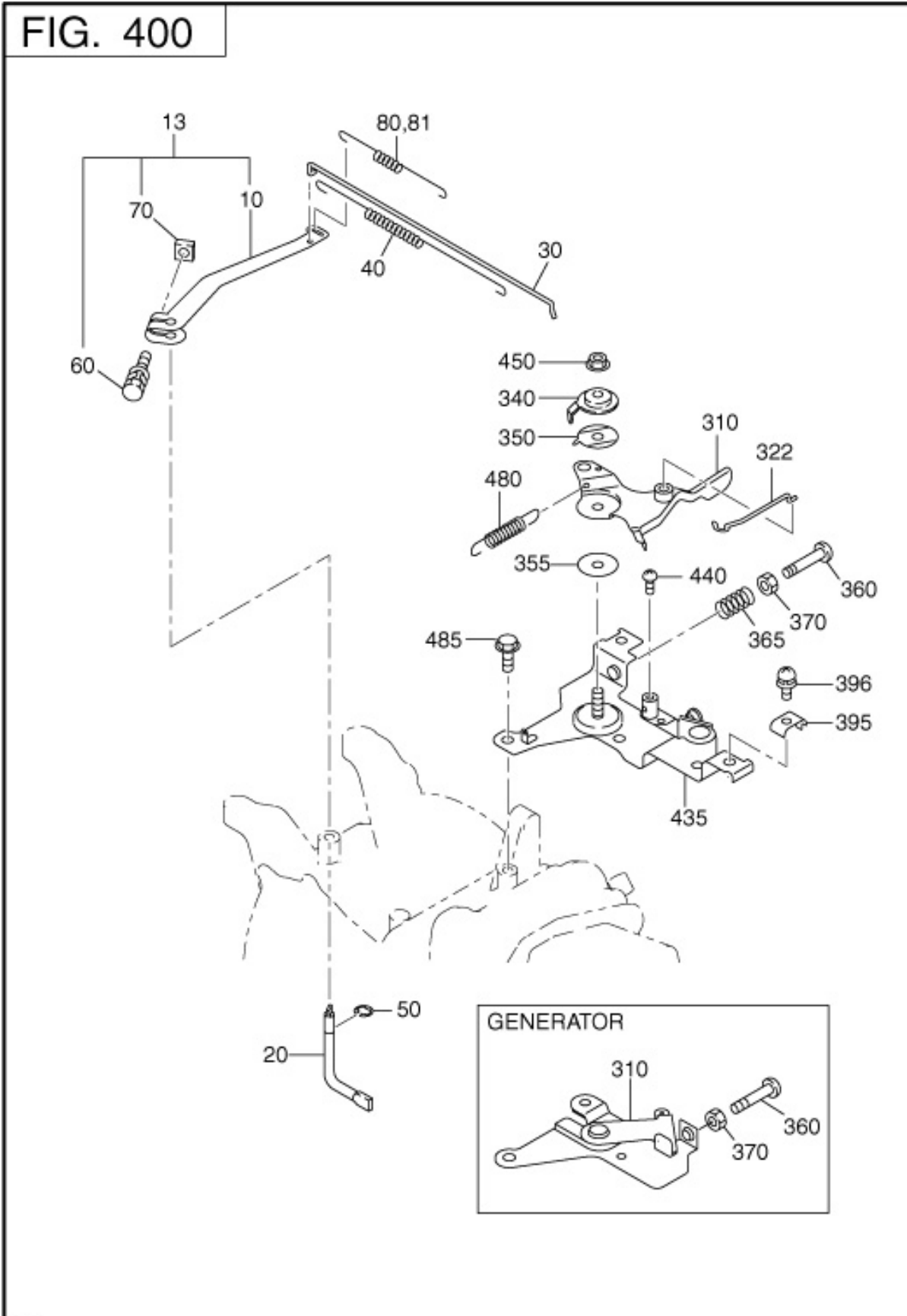
REF.	PART NUMBER	PART NAME	CODE NO.	QTY	REMARKS	INTERCHANGE
340	277-35201-13	GASKET(MUFFLER)	-	1	T=0.2 26D 9DX58P	
350	980-20082-80	FLANGE NUT	-	2		
360	015-20600-90	TAPPING BOLT	-	2	M6X13DX10L	
361	011-00600-10	FLANGE BOLT	-	1	M6X1.0X14DX8L	
365	011-00803-20	FLANGE BOLT	-	1	M8X1.25X16DX12L	
385	277-37203-H1	SCREEN CP	-	1		
387	015-00400-60	TAPPING SCREW	-	2	M4X6L	
540	277-32902-J1	INSULATOR CP	-	1		
550	277-35903-J3	GASKET2(INSULATOR)	-	1	T=0.5	
560	277-35902-J3	GASKET1(INSULATOR)	-	1	T=0.5	
570	002-38060-00	FLANGE NUT	-	2		
580	011-00600-50	FLANGE BOLT	-	1	M6X1.0X13DX20L	

3 INTAKE EXHAUST



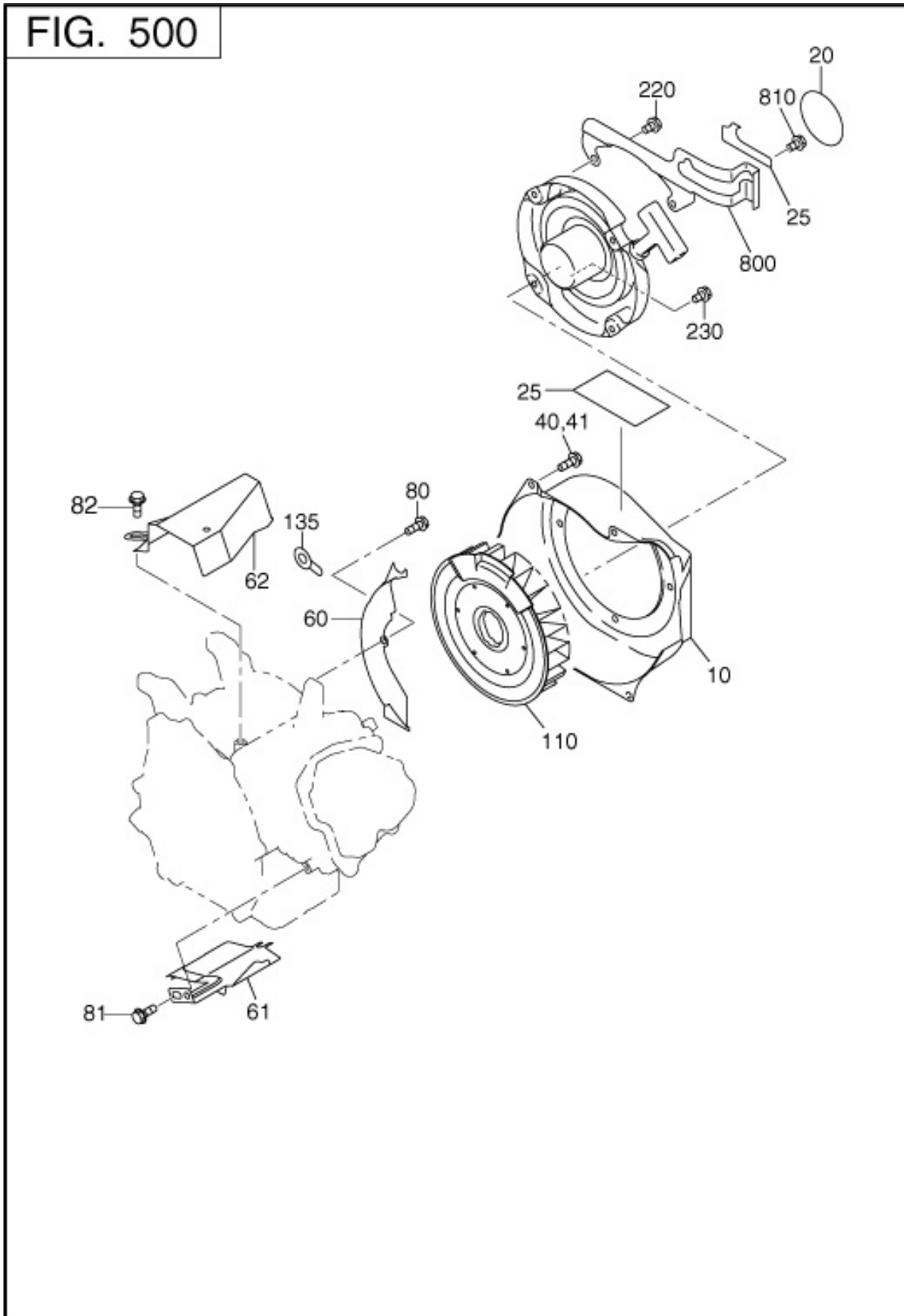
REF.	PART NUMBER	PART NAME	CODE NO.	QTY	REMARKS	INTERCHANGE
510	277-32611-10	AIR CLEANER AY	-	1	URETHANE FOAM	
-200	277-32601-18	BASE CP	-	1		
-220	277-32604-08	PACKING	-	1		
-250	277-32602-08	COVER CP	-	1		
-260	277-32609-08	LABEL	-	1		
-520	277-32603-08	ELEMENT	-	1	URETHANE FOAM	

4 GOVERNOR,OPERATION



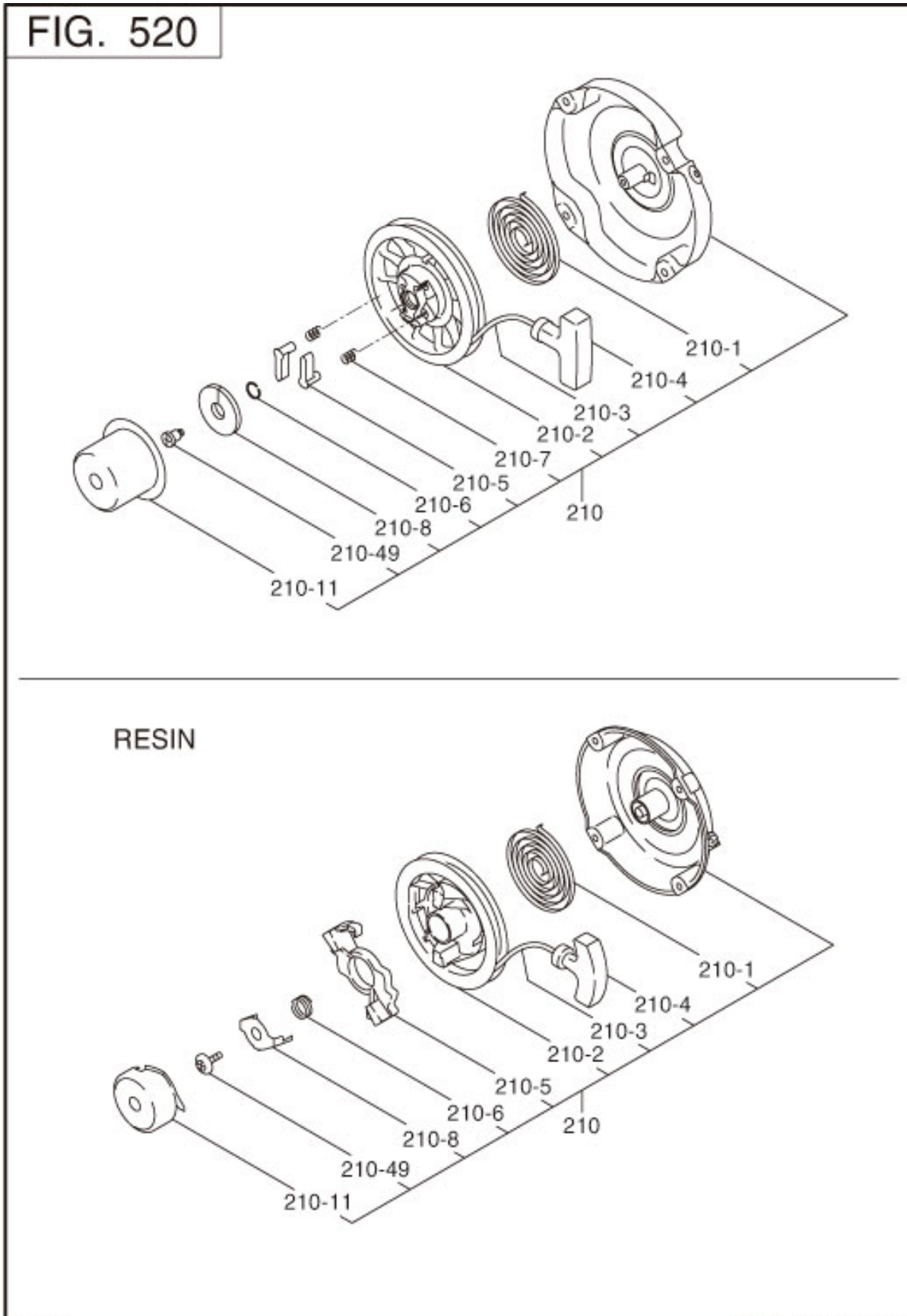
REF.	PART NUMBER	PART NAME	CODE NO.	QTY	REMARKS	INTERCHANGE
10	277-42301-23	GOVERNOR LEVER	-	1		
20	277-42201-33	GOVERNOR SHAFT	-	1		
30	277-42701-11	GOVERNOR ROD CP	-	1		
40	277-42801-23	ROD SPRING	-	1	7DX0.5DX182L N=16	
50	003-13050-00	CLIP	-	1		
60	013-00602-40	BOLT AND WASHER AY	-	1	M6X1.0X25L W/TWO W	
70	018-60600-20	NUT	-	1	M6X1.0X4.9H SQUARE	
80	279-42505-33	GOVERNOR SPRING	-	1	7.5DX0.7DX115L N=25	
310	277-43303-03	SPEED CONTROL LEVER	-	1		
340	277-43502-03	STOP PLATE	-	1		
350	277-44501-03	WASHER	-	1		
355	021-70600-70	FRICTION WASHER	-	1	6.5DX24DX0.8T NYLON	
360	004-31062-50	SCREW	-	1		
365	237-45004-23	SPRING (ADJUST)	-	1	6.9DX0.9DX20L N=7	
435	277-46002-02	SPEED CONT.BRKT UN	-	1		
450	002-35060-00	SELF LOCK NUT	-	1		
485	011-00600-20	FLANGE BOLT	-	2	M6X1.0X14DX12L	

5 COOLING,STARTING



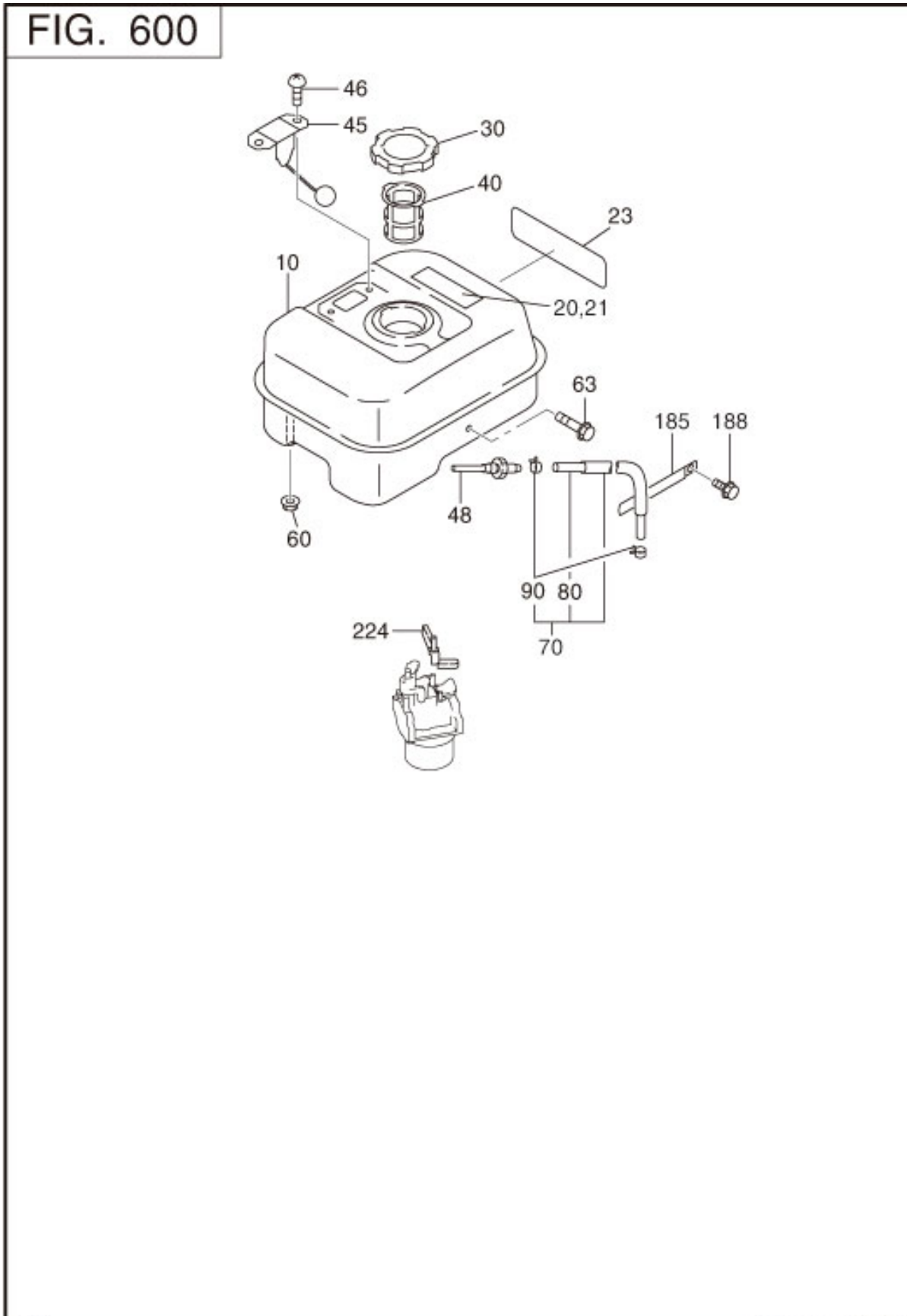
REF.	PART NUMBER	PART NAME	CODE NO.	QTY	REMARKS	INTERCHANGE
10	277-51201-11	BLOWER HOUSING CP	-	1	ROBIN YELLOW	
20	073-20054-70	LABEL(TRADE MARK)	-	1	60D	
40	011-00600-30	FLANGE BOLT	-	4	M6X1.0X14DX14L	
60	277-52711-21	BAFFLE 1(CASE) CP	-	1		
61	277-52702-03	BAFFLE 2(HEAD)	-	1		
80	001-04061-60	FLANGE BOLT	-	1		
81	011-00600-20	FLANGE BOLT	-	1	M6X1.0X14DX12L	
220	011-00600-10	FLANGE BOLT	-	4	M6X1.0X14DX8L	

5 COOLING,STARTING



REF.	PART NUMBER	PART NAME	CODE NO.	QTY	REMARKS	INTERCHANGE
210	269-50201-30	RECOIL STARTER AY	-	1	D 160PD	
- 1	270-50115-08	SPIRAL SPRING	-	1		
- 2	269-50120-08	REEL	-	1		
- 3	282-50111-18	STARTER ROPE	-	1		
- 4	261-50100-08	STARTER KNOB	-	1		
- 5	270-50125-08	RATCHET	-	2		
- 6	227-50131-08	FRICTION SPRING	-	1		
- 7	227-50135-08	RETURN SPRING	-	2		
- 8	270-50261-08	RATCHET GUIDE	-	1		
- 11	269-50145-18	STARTER PULLEY	-	1		
- 49	227-50152-08	SET SCREW	-	1		

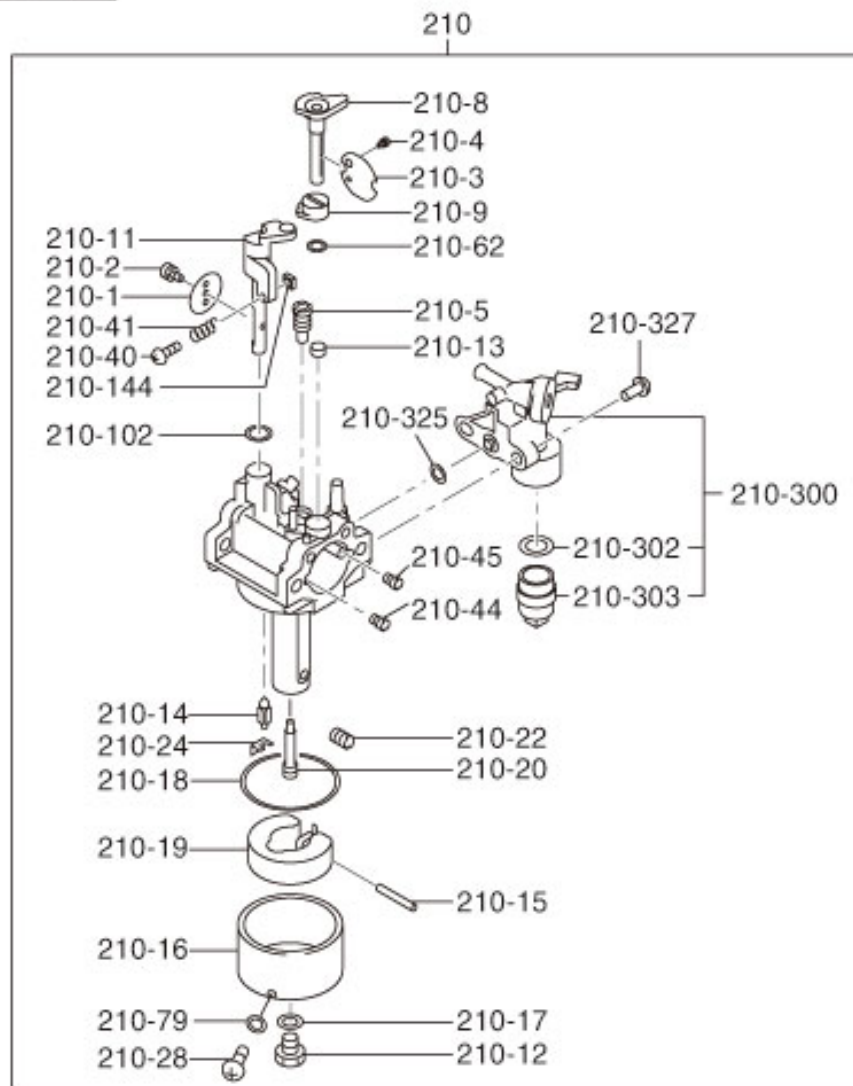
6 FUEL LUBRICANT



REF.	PART NUMBER	PART NAME	CODE NO.	QTY	REMARKS	INTERCHANGE
10	277-60101-11	FUEL TANK CP	-	1	3.6L ROBIN YELLOW	
20	073-20051-81	LABEL(WARNING)	-	1	42X104 ENGLISH	
23	277-95111-03	LABEL(MODEL)	-	1	28X99	
30	043-04400-50	FUEL TANK CAP CP	-	1	43DX68DX14H BLACK	
40	X64-13600-10	FUEL FILTER	-	1		
48	X50-51200-20	UNION	-	1		
60	002-38060-00	FLANGE NUT	-	2		
63	011-00601-30	FLANGE BOLT	-	1	M6X1.0X14DX25L	
70	277-62601-01	FUEL PIPE CP	-	1		
80	X85-10613-50	RUBBER PIPE	-	1		
90	056-11100-50	HOSE CLAMP	6972-	2		
	X56-11100-20	HOSE CLAMP	-6971	2	10.5DX8BX0.7T	
224	277-43801-01	CHOKE LEVER CP	-	1		

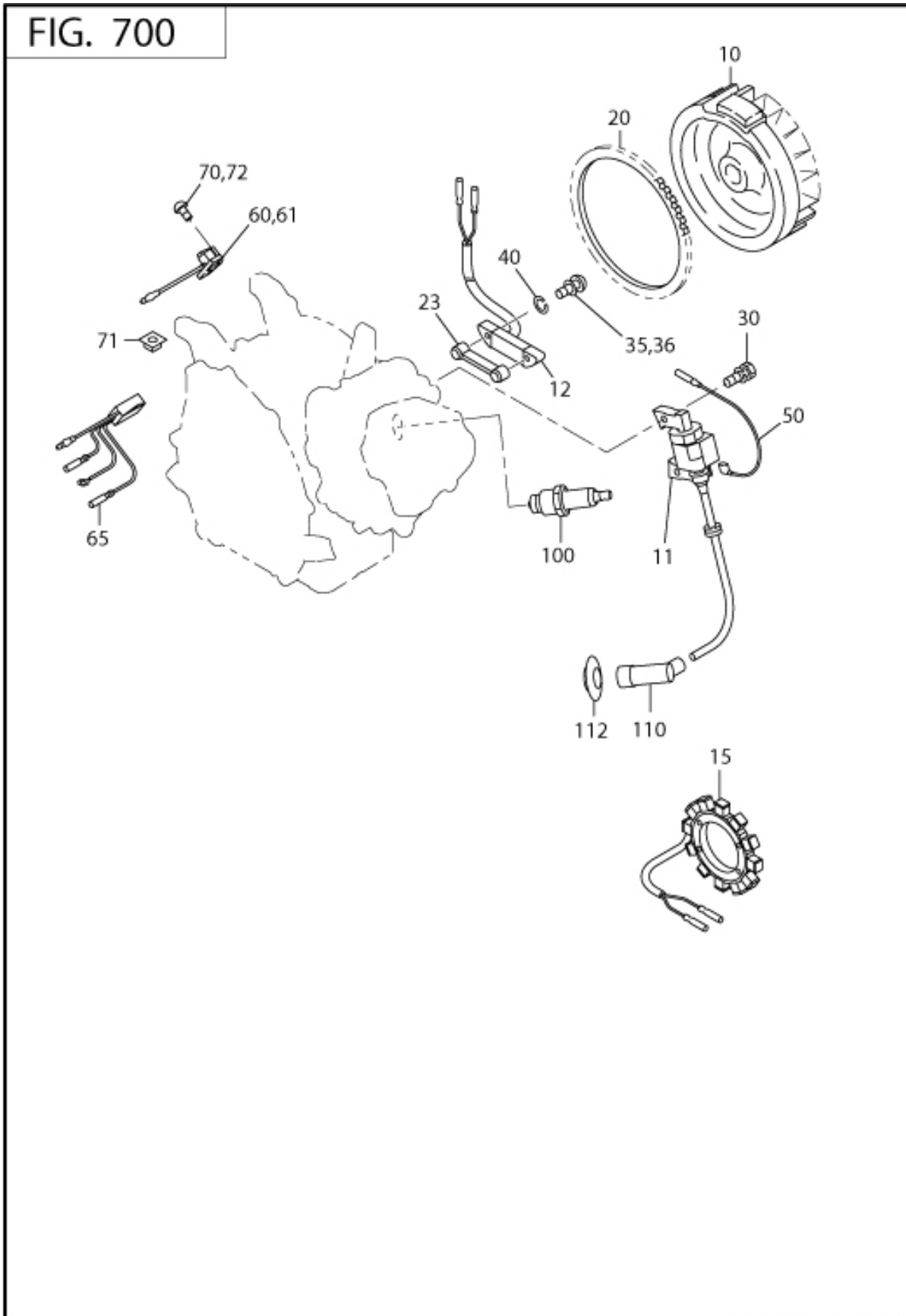
6 FUEL LUBRICANT

FIG. 640



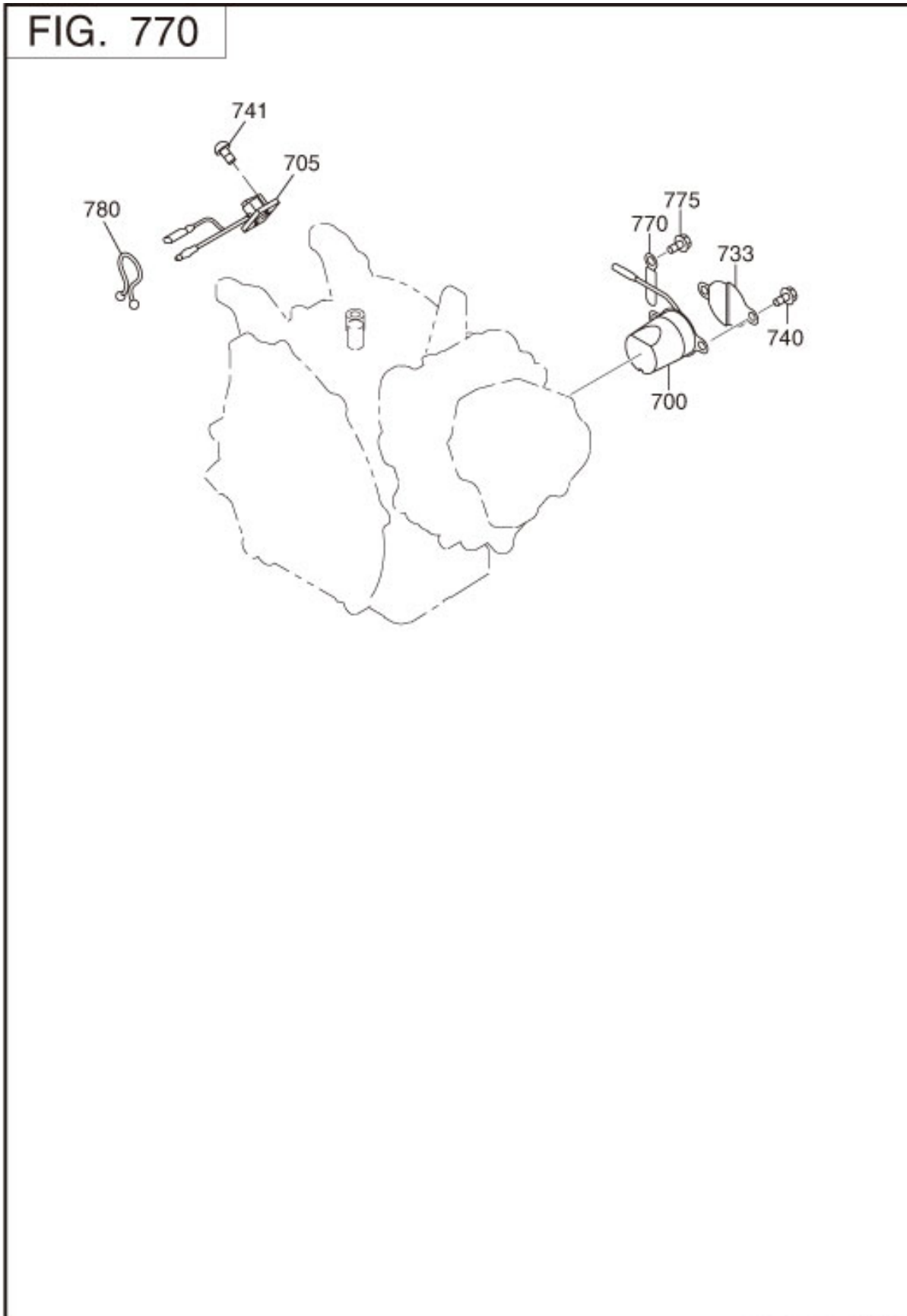
REF.	PART NUMBER	PART NAME	CODE NO.	QTY	REMARKS	INTERCHANGE
210	277-62301-30	CARBURETOR AY	-	1		
- 1	277-62535-08	THROTTLE VALVE	-	1	#160	
- 2	209-62351-08	SCREW	-	1		
- 3	277-62525-08	CHOKE VALVE	-	1		
- 5	246-62420-08	PILOT JET	-	1	#40	
- 8	277-62520-08	CHOKE LEVER	-	1		
- 11	277-62530-18	THROTTLE SHAFT-A	-	1		
- 12	227-62451-08	BOLT	-	1		
- 14	277-62500-08	NEEDLE	-	1		
- 15	277-62515-08	PIN	-	1		
- 16	277-62506-08	FLOAT BODY AY	-	1		
- 17	214-62450-08	PACKING	-	1		
- 18	214-62540-08	CHAMBER PACKING	-	1		
- 19	226-62506-08	FLOAT	-	1		
- 20	277-62440-08	MAIN NOZZLE	-	1		
- 22	277-62402-08	MAIN JET	-	1	#81.3	
- 24	226-62701-18	CLIP	-	1		
- 28	277-62360-08	BOLT	-	1		
- 40	106-62556-08	SCREW	-	1		
- 41	283-62357-08	SPRING	-	1		
- 44	248-62410-08	AIR JET	-	1		
- 45	106-62410-08	AIR JET(PILOT)	-	1		
- 79	236-62541-08	PACKING	-	1		
-144	277-62553-08	NUT	-	1		
-300	279-62103-10	COCK BODY-A	-	1		
-302	277-62110-18	PACKING	-	1		
-303	277-62100-18	CUP	-	1		
-325	277-62552-08	O-RING	-	1		
-327	165-62377-08	SCREW	-	2		

7 ELECTRIC DEVICE



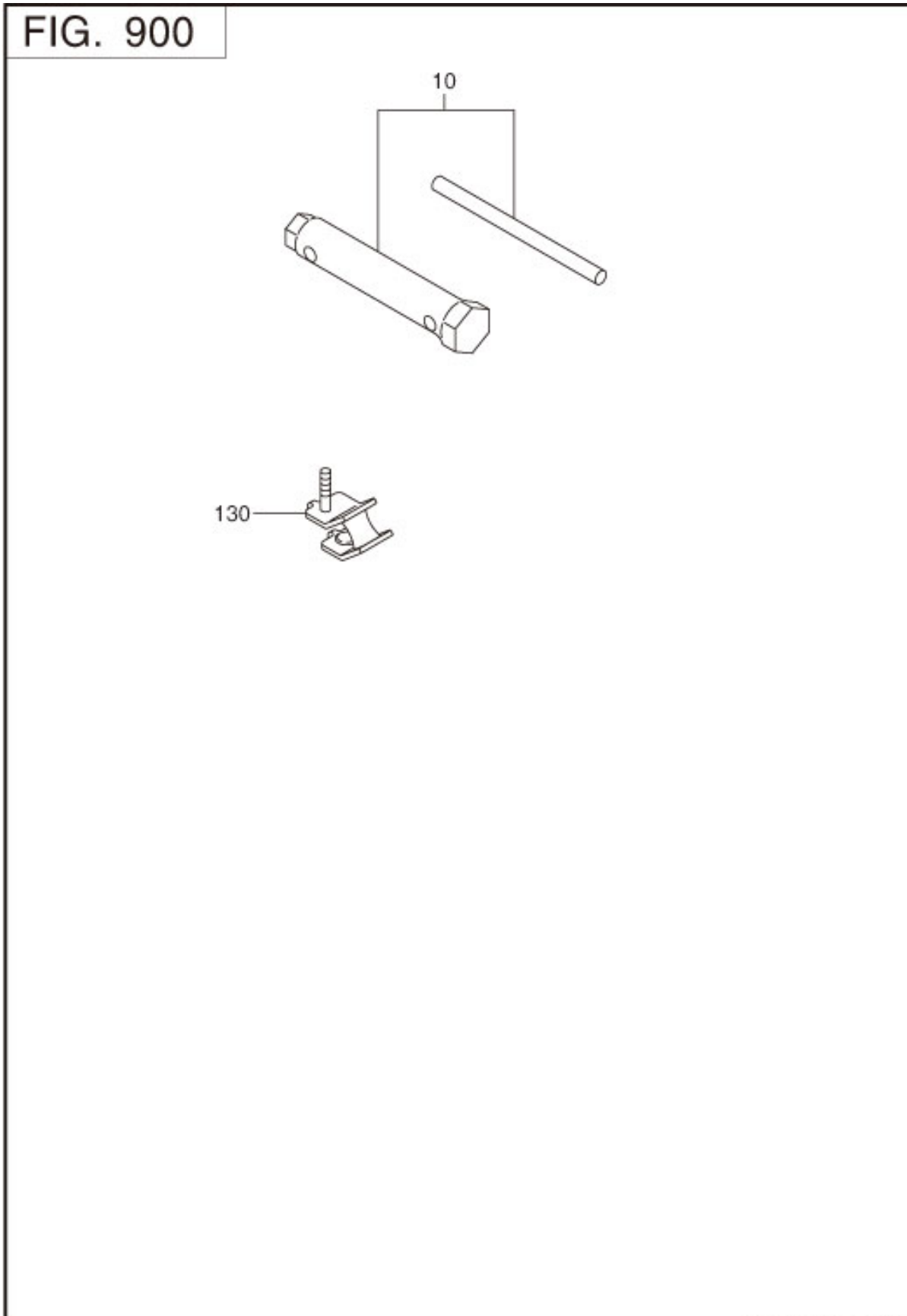
REF.	PART NUMBER	PART NAME	CODE NO.	QTY	REMARKS	INTERCHANGE
10	277-79230-11	FLYWHEEL CP	-	1	MARK MF5330	
11	277-79431-01	IGNITION COIL CP	-	1	MARK BM3790	
30	001-14062-50	BOLT AND WASHER AY	-	2		
50	277-73102-H1	WIRE 2 CP	-	1	L=360 BLACK	
60	X66-00003-61	SWITCH AY	-	1		
70	015-00400-90	TAPPING SCREW	-	2	M4X12L	
100	065-01401-50	SPARK PLUG	-	1	NGK BR6HS	
110	065-50002-70	SPARK PLUG CAP	-	1		

8 ELECTRIC DEVICE



REF.	PART NUMBER	PART NAME	CODE NO.	QTY	REMARKS	INTERCHANGE
700	277-76301-21	OIL SENSOR CP	-	1		
705	KU3-11043-11	FLOAT C/U CP3	-	1		
740	001-14061-60	BOLT AND WASHER AY	-	2		
741	015-20500-10	TAPPING SCREW	-	1	M5X10DX10L	

9 ACCESSORIES LABEL



REF.	PART NUMBER	PART NAME	CODE NO.	QTY	REMARKS	INTERCHANGE
10	277-90301-H0	ACCESSORY TOOL KIT	-	1		