

MORRISON

EURO ELECTRIC MOWERS

ELECTRIC MOWER

Part Number

952589

1400 Watt

380mm

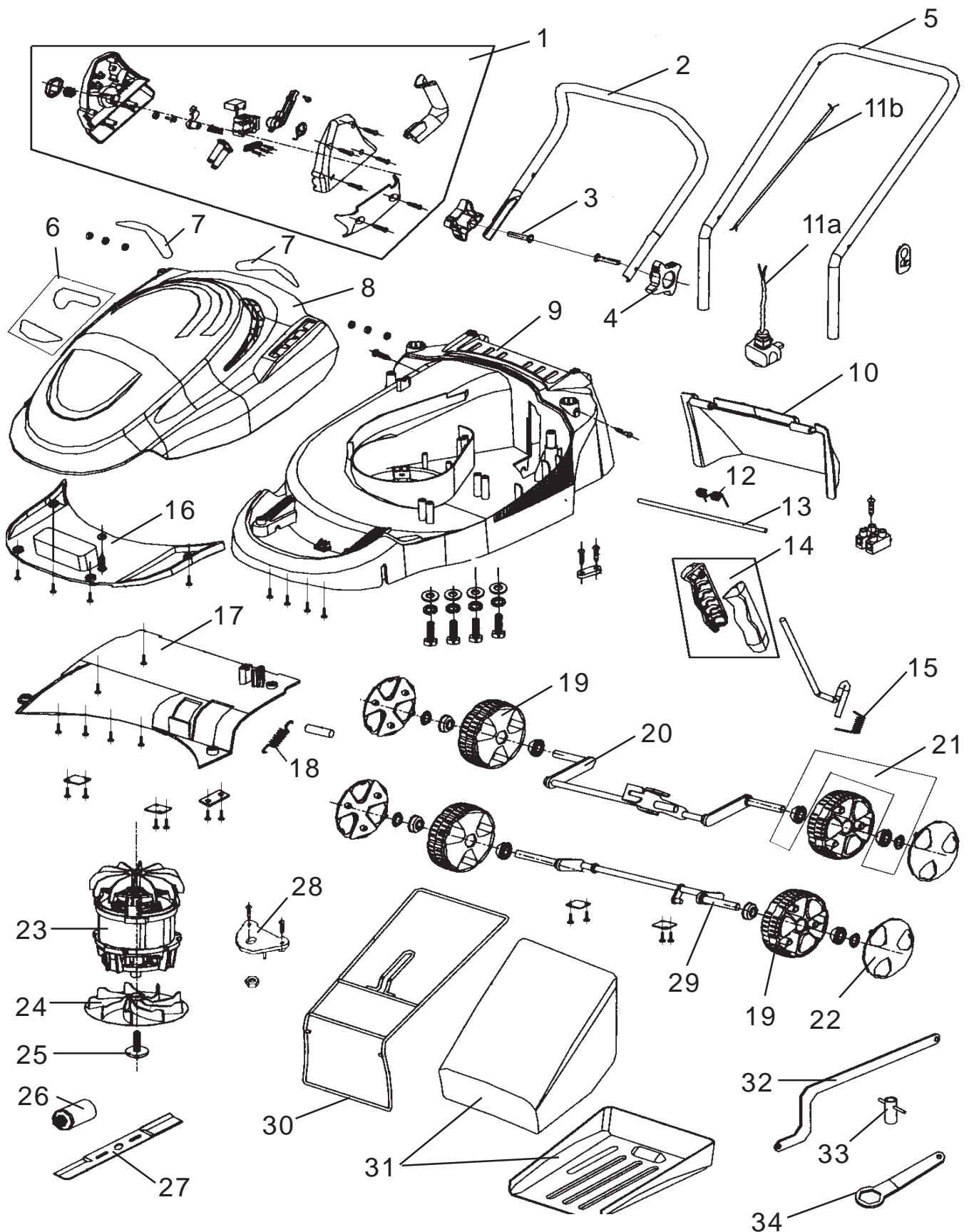




Morrison Electric
Electric 1400w

MORRISON

ELECTRIC SERIES



When ordering PLEASE QUOTE PART NUMBER & Description, NOT Illustration No.
Determine right or left hand side from standing in operating position (standing at handle)



Morrison Electric
Electric 1400w

MORRISON

**ELECTRIC
SERIES**

Item No	Part No	Description	Qty	Item No	Part No	Description	Qty
1	558117	Switch, Isolating Assm	1	19	558110	Wheel	4
2	558102	Handle, Upper	1	20	558111	Axle, Rear	1
3	558104	Screw, Handle Knob	2	21	558114	Bearings/Retaining Washer	4
4	558103	Knob, Handle	2	22	558109	Cover, Wheel	4
5	558101	Handle, Lower	1	23	558095	Motor, Electric	1
or	558101S	Short-Handle, Lower(Replacement)		24	558087	Fan, Motor Impellor	1
6	558121	Decals, (1 & 2)	1	25	558086	Screw, Set (Blade Bolt)	1
7	558120	Filter - Sponge	2	26	558088	Capacitor	1
8	558099	Cover, Motor	1	27	558085	Blade, (380mm)	1
9	558098	Deck, Mower	1	28	558113	Board, (Capacitor)	1
10	558100	Deflector, Grass Flap	1	29	558112	Axle, Front	1
11a	558482	Cable, Euro Plug, • 5.Mtr	1	30	558089	Frame, Grass Catcher	1
11b	558477	Cable, Twin 1mm, multi, 1• 5.Mtr	1	31	558091	Fabric, Grass Catcher	1
12	558105	Spring-Rod, Grass Flap	1	32	558094	Connection-Rod	1
13	558106	Rod, Grass Flap	1	33	558092	Spanner, Box	1
14	558116	Handle, Height Adj, LH+RH	1	34	558093	Spanner, Ring	1
15	558107	Spring, Height Adj LH	1			NOT ILLUSTRATED	
16	558097	Cover, Front, Bottom	1				
17	558096	Mulching Plate	1				
18	558108	Spring, Height, Adj RH	1		555264	Owners Manual	1

Bold Text = Assemblies
Bulleted Text = Items included in Assemblies

HEAD OFFICE - NEW ZEALAND

1 - 37 Mt. Wellington Highway

Panmure, Auckland.

New Zealand

Phone : (64 9) 571 1200

Fax : (64 9) 571 5864

Email : sales@masport.co.nz

Website : www.masport.com