

Masport[®]

**DESPIECE
MASPORT- MORRISON
MAYO 2004**

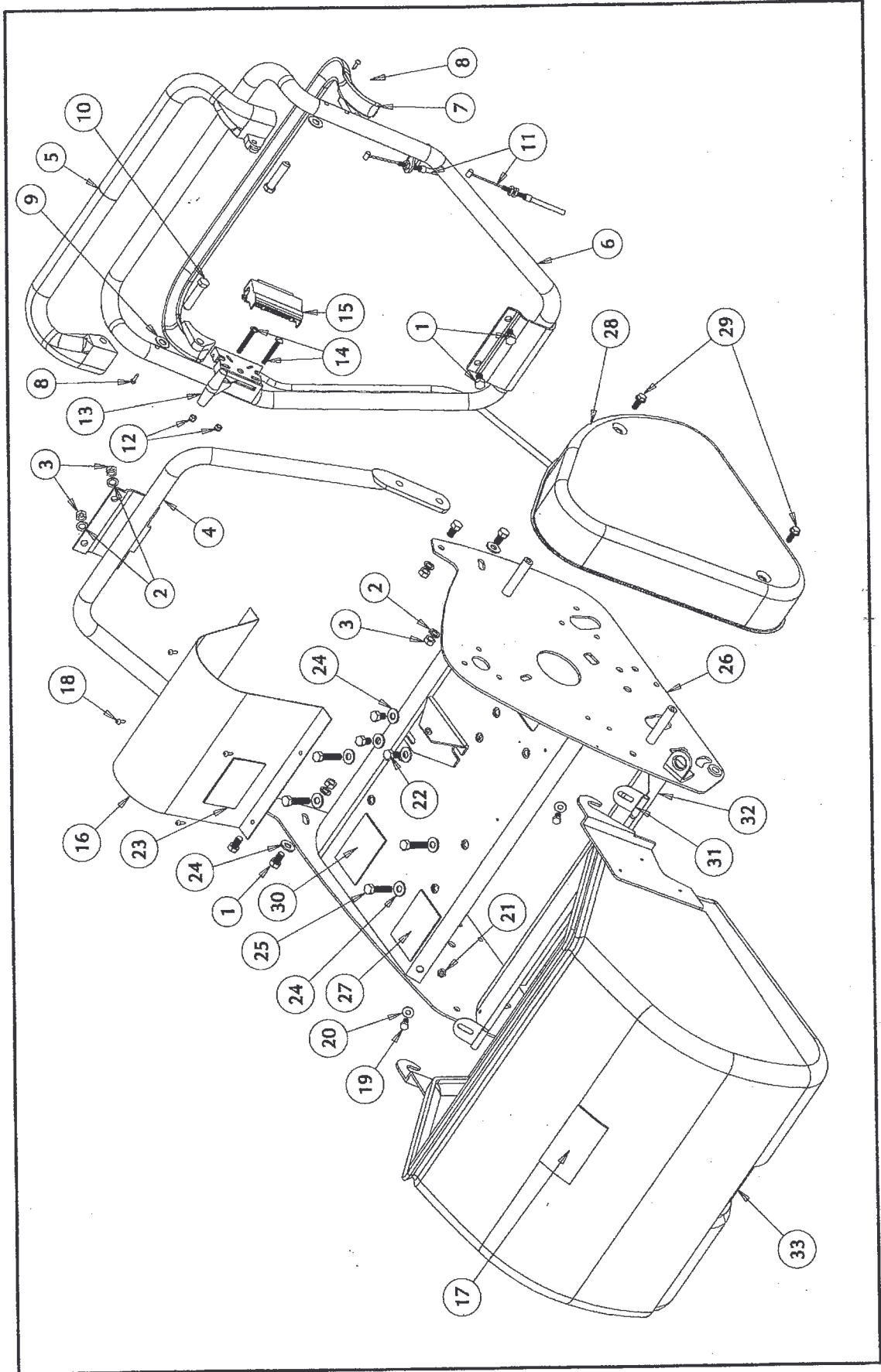
**TODOS LOS
MODELOS**

Rimesa

INSTALACIONES Y MANTENIMIENTO

Masport

MODEL: TWIN DRIVE REEL MOWER (ALL MODELS) - FRAME ASSEMBLY



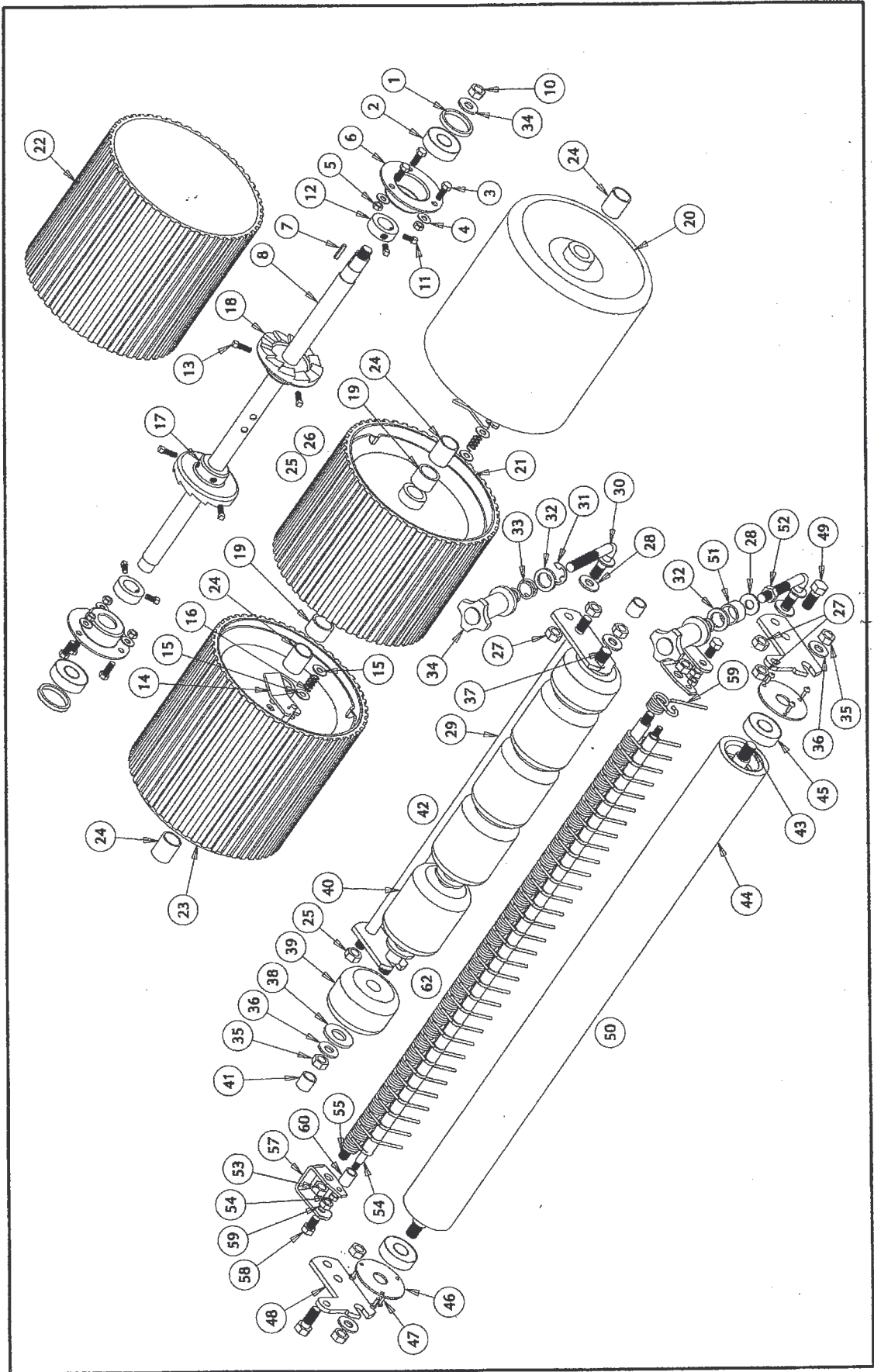
Masport®

MODEL:TWIN DRIVE REEL MOWER (ALL MODELS) - FRAME ASSEMBLY

ITEM	DESCRIPTION	PART No	ITEM	DESCRIPTION	PART No	ITEM	DESCRIPTION	PART No
1	Bolt ZP M8 x 20 set screw	FBOPLO2	24	Washer Flat ZP M8 x 19 x 1.6	FWAPL08			
2	Washer spring ZP M8	FWAPL58	25	Bolt HT ZP M8 x 35 set screw	FBOPL35			
3	Nut ZP M8	FNJPL08	26	Frame - 400	L1405-710M			
4	Handle Lower 400 Chrome Extended	L1260-540	26A	Frame - 500	L1505-710M			
4A	Handle Lower 500 Chrome Extended	L1260-550	26B	Frame - 660	L1605-710M			
4B	Handle Lower 660 Chrome Extended	L1260-560	26C	Frame - 660 Sport	L1105-710M			
5	Lever Clutch Reel Upper Blk	L1050-720B	26D	Frame - Golf	L1705-710M			
6	Handle Upper	L1050-705C	27	Decal Caution	L1070-230			
7	Lever Clutch Reel Lower Blk	L1050-730B	28	Guard Chain	L1010-705M			
8	Screw Taprite M5 x 10	L0108-037	29	Screw Taprite M6 x 16	L0108-030			
9	Washer Plastic 10 x 20 x 1 Wide	L1050-715	30	Decal CE Sticker	L1070-225			
10	Boss Lever Pivot	L1050-710Z	31	Grass Thrower Tab	L1010-190			
11	Cable Clutch Assy	L1050-700	32	Grass Thrower 400 Green	L1410-205			
12	Nut Nyloc ZP M5	FNLPL05	32A	Grass Thrower 500 Green	L1510-205			
13	Throttle Control	L1050-090	32B	Grass Thrower 660 Green	L1610-205			
14	Screw MC ZP pan head M5 x 40	FSCPL05	33	Catcher 400 Green	L1465-250			
15	Throttle Control Cover	L1050-095	33A	Catcher 500 Green	L1565-255			
16	Cover Shaft 400	L1410-700M	33B	Catcher 660 Green	L1665-205			
16A	Cover Shaft 500/660	L1510-700M						
17	Decal Model 400	L1470-150						
17A	Decal Model 500	L1570-150						
17B	Decal Model 660	L1670-150						
18	Screw ZP PHD SLT 6 x 3/8	FSCPL08						
19	Bolt ZP M6 x 12 set screw	FBOPLO3						
20	Washer Spring M6	FWAPL56						
21	Nut M6	FNJPL06						
22	Bolt HT ZP M8 x 16 Set Screw	FBOPL18						
23	Decal Twin Drive	L1070-145						

Masport

MODEL: TWIN DRIVE REEL MOWER (ALL MODELS) - ROLLER ASSEMBLY





MODEL:TWIN DRIVE REEL MOWER (ALL MODELS) - ROLLER ASSEMBLY

ITEM	DESCRIPTION	PART No	ITEM	DESCRIPTION	PART No	ITEM	DESCRIPTION	PART No
1	Spacer - Bearing Plastic	L1060-120	26	Back Roller Assy 400 Rubber	L1290-360	50A	Front Roller Assy Steel Golf	L1745-350
2	Bearing - 17 x 40 x 12 400/500	FBRL080	26A	Back Roller Assy 500 Rubber	L1290-395	51	Handwheel Spacer ZP	L1745-215
2A	Bearing - 17 x 40 x 12 660 Sport/Golf	FBRL070	26B	Back Roller Assy 660 Rubber	L1290-400	52	Nut ZP M10	FNULP10
3	Bolt - HT M6 x 16	FBOP01	27	Nut Nylon M10	FNPLP10	53	Nut Nylon Thirn 3/8 UNF	L0111-046
4	Washer - Spring M6	FWAPL56	28	Washer Flat M10	FWAPL10	54	Nut Nylon ZP M6	FNPLP06
5	Nut M6	FNULP06	29	Front Roller Bkt Assy 400 ZP	L1445-300	55	Turf Rake Shaft 1/2 660	L1145-130
6	Bearing Housing	L1060-145	29A	Front Roller Bkt Assy 500 ZP	L1545-300	55A	Turf Rake Shaft 1/2 Golf	L1745-130
7	Back Roller Drive Key 1/8 x 3/4	L1030-170	29B	Front Roller Bkt Assy 660 ZP	L1645-300	56	Turf Rake Shaft 5/16 660	L1145-140
8	Back Roller Shaft 400	L1430-350	30	Reel Adjustor Pivot Bolt	L1035-230	56A	Turf Rake Shaft 5/16 Golf	L1745-140
8A	Back Roller Shaft 500/Golf	L1530-350	31	E Clip 5/8	L0135-025	57	Turf Rake Bkt	L1745-105
8B	Back Roller Shaft 660/Sport	L1630-350	32	Washer Flat M16 x 25	L0115-016	58	Bolt HT ZP M8 x 16 Set Screw	FBOP18
9	Nut ZP Half M12	L0110-013	33	Front Roller Adj Spring	L1045-220	59	Nut Nylon ZP M8	FNPLP08
10	Screw Sqhd Cup Point 5/16 x 3/8	L0107-040	34	Handwheel Front Roller Adjustor	L1045-240	60	Turf Rake Spacer	L1745-115
11	Back Roller Locking Collar	L1030-230	35	Nut Nylon M12	FNPLP12	61	Turf Rake Tyne	L1745-120
12	Screw Sqhd Cup Point 5/16 x 5/8	L0107-041	36	Washer Flat ZP M12	FWAPL12	62	Turf Rake Assy 660	L1145-150
13	Back Roller Pawl	L1030-290	37	Front Roller Shaft 400 ZP	L1445-395	62A	Turf Rake Assy Golf	L1745-150
14	Washer Flat ZP 1/4	L0115-040	37A	Front Roller Shaft 500 ZP	L1545-395			
15	Back Roller Ratchet RH	L1030-270	37B	Front Roller Shaft 660 ZP	L1645-395			
16	Back Roller Ratchet LH	L1030-250	38	Washer Flat ZP M16 x 34 x 3.0	L0115-056			
17	Back Roller Spacing Tube 660	L1030-245	39	Wooden Roller 45mm	L1045-385			
18	Back Roller Drum 400	L1630-200	40	Wooden Roller 82mm	L1045-390			
19	Back Roller Drum 500	L1430-330	41	Front Roller Spacer 500	L1545-350			
20	Back Roller Drum 660	L1730-330	42	Front Roller Assy 400	L1445-400			
20A	Back Roller Drum 500/660	L1530-330	42A	Front Roller Assy 500	L1545-400			
20B	Back Roller Centre Drum 660	L1630-305	42B	Front Roller Assy Compl 660	L1645-400			
21	Sleeve Rubber Back Roller	L1230-180	43	Front Roller Shaft 660	L1145-340			
22	Back Roller Drum 400 Rubber	L1230-302	43A	Front Roller Shaft Golf	L1745-340			
23	Back Roller Drum 500/660 Rubber	L1230-320	44	Front Roller Steel Tube 660	L1145-345			
23A	Back Roller Centre Drum 660 Rubber	L1230-305	44A	Front Roller Steel Tube Golf	L1745-345			
23B	Sintered Bush Golf	L1730-190	45	Bearing 6203-ZZ	FBRL080			
24	Back Roller Assy 400	L1430-450	46	End Cap	L1745-335			
25	Back Roller Assy 500	L1530-450	47	Screw ZP PHD SLT 6 x 3/8	FSCP108			
25A	Back Roller Assy 660	L1630-450	48	Front Roller Bkt	L1745-200			
25B	Back Roller Assy Golf	L1730-400	49	Bolt Eng ZP M10 x 25	FBOP185			
25C			50	Front Roller Assy Steel 660	L1145-350			