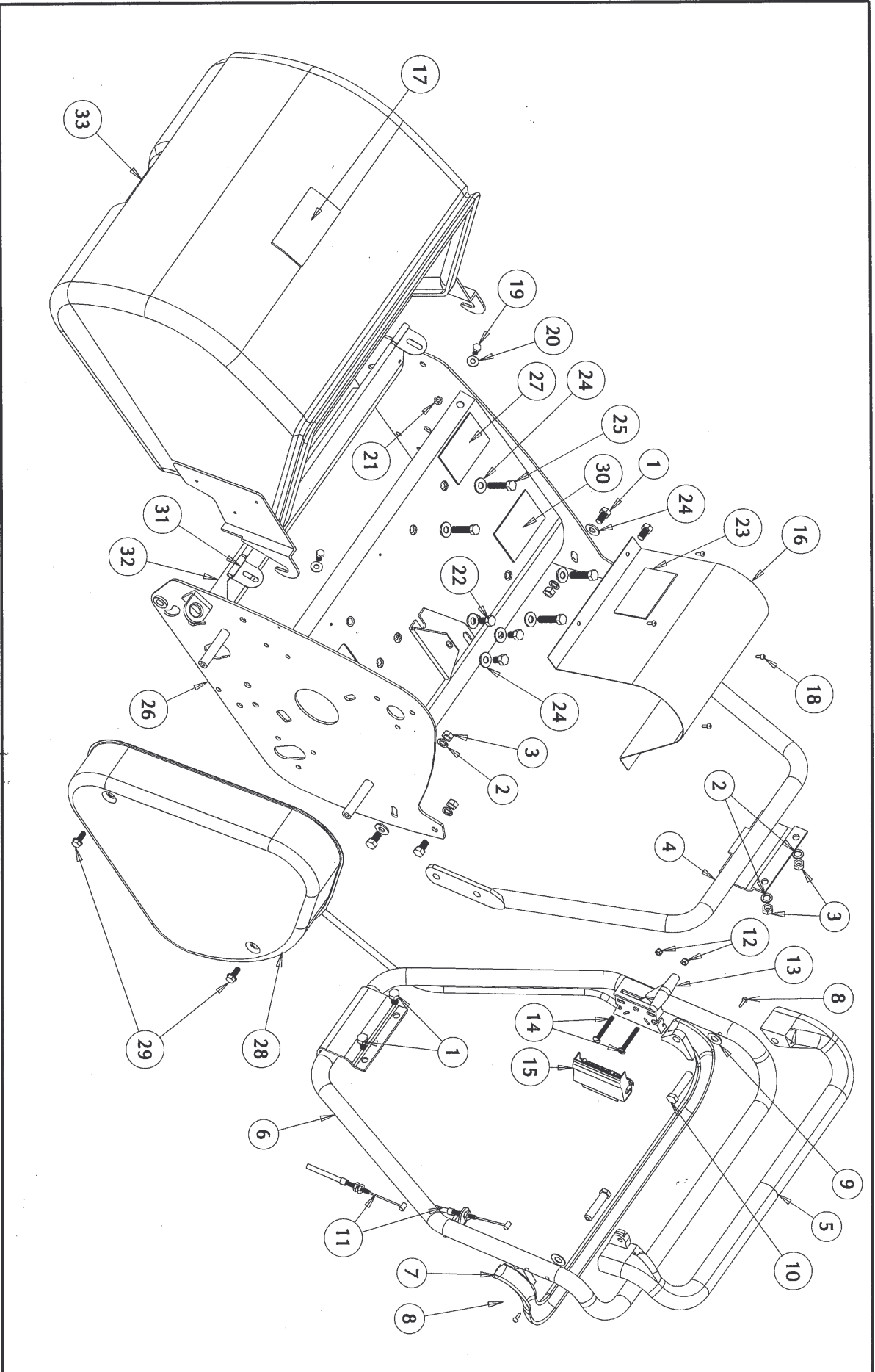


**Masport®**

**MODEL: TWIN DRIVE REEL MOWER ( ALL MODELS ) - FRAME ASSEMBLY**



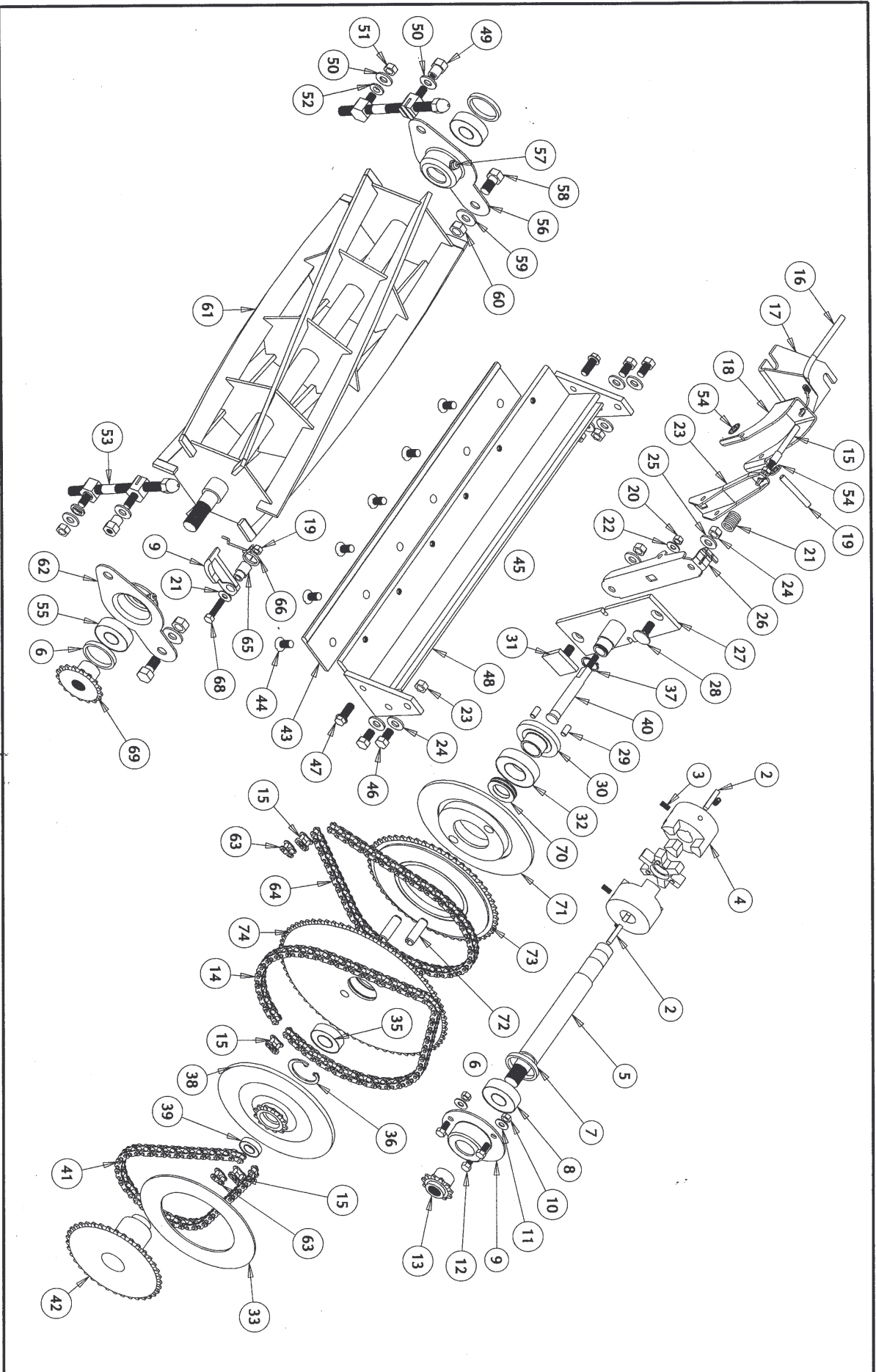
# Masport®

## MODEL:TWIN DRIVE REEL MOWER (ALL MODELS) - FRAME ASSEMBLY

ITEM	DESCRIPTION	PART No	ITEM	DESCRIPTION	PART No	ITEM	DESCRIPTION	PART No
1	Bolt ZP M8 x 20 set screw	FBOPLO2	24	Washer Flat ZP M8 x 19 x 1.6	FWAPLO8			
2	Washer spring ZP M8	FWAPL58	25	Bolt HT ZP M8 x 35 set screw	FBOPL35			
3	Nut ZP M8	FNUPL08	26	Frame - 400	L1405-710M			
4	Handle Lower 400 Chrome Extended	L1260-540	26A	Frame - 500	L1505-710M			
4A	Handle Lower 500 Chrome Extended	L1260-550	26B	Frame - 660	L1605-710M			
4B	Handle Lower 660 Chrome Extended	L1260-560	26C	Frame - 660 Sport	L1105-710M			
5	Lever Clutch Reel Upper Blk	L1050-720B	26D	Frame - Golf	L1705-710M			
6	Handle Upper	L1050-705C	27	Decal Caution	L1070-230			
7	Lever Clutch Reel Lower Blk	L1050-730B	28	Guard Chain	L1010-705M			
8	Screw Tapitite M5 x 10	L0108-037	29	Screw Tapitite M6 x 16	L0108-030			
9	Washer Plastic 10 x 20 x 1 Wide	L1050-715	30	Decal CE Sticker	L1070-225			
10	Boss Lever Pivot	L1050-710Z	31	Grass Thrower Tab	L1010-190			
11	Cable Clutch Assy	L1050-700	32	Grass Thrower 400 Green	L1410-205			
12	Nut Nylon ZP M5	FNLPL05	32A	Grass Thrower 500 Green	L1510-205			
13	Throttle Control	L1050-090	32B	Grass Thrower 660 Green	L1610-205			
14	Screw MC ZP pan head M5 x 40	FSCPLO5	33	Catcher 400 Green	L1465-250			
15	Throttle Control Cover	L1050-095	33A	Catcher 500 Green	L1565-255			
16	Cover Shaft 400	L1410-700M	33B	Catcher 660 Green	L1665-205			
16A	Cover Shaft 500/660	L1510-700M						
17	Decal Model 400	L1470-150						
17A	Decal Model 500	L1570-150						
17B	Decal Model 660	L1670-150						
18	Screw ZP PHD SLT 6 x 3/8	FSCPLO8						
19	Bolt ZP M6 x 12 set screw	FBOPLO3						
20	Washer Spring M6	FWAPL56						
21	Nut M6	FNUPL06						
22	Bolt HT ZP M8 x 16 Set Screw	FBOPL18						
23	Decal Twin Drive	L1070-145						

**Masport®**

**MODEL: TWIN DRIVE REEL MOWER ( ALL MODELS ) - DRIVE SYSTEM**



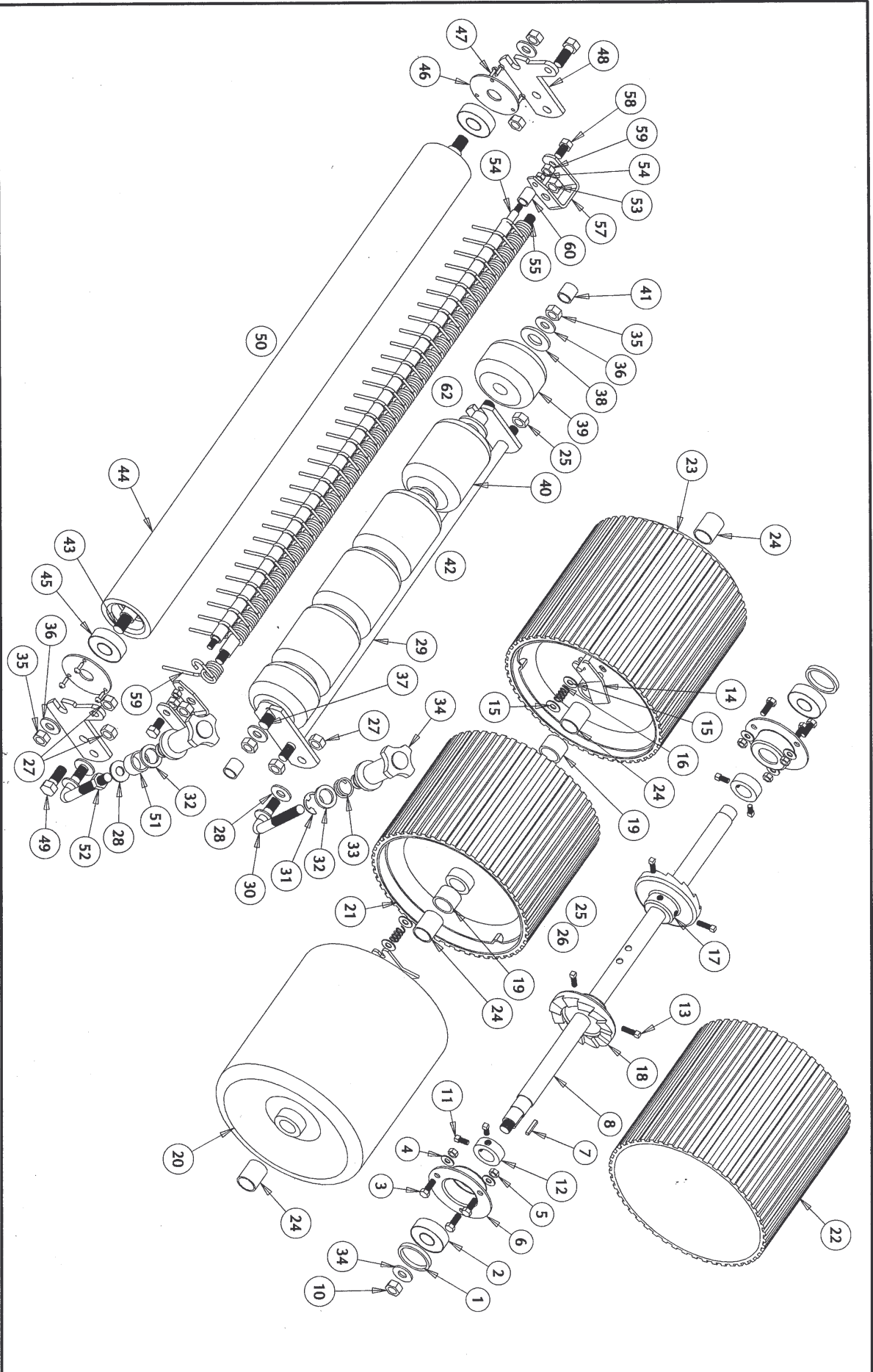
# Masport®

## MODEL: TWIN DRIVE REEL MOWER (ALL MODELS) - DRIVE SYSTEM

ITEM	DESCRIPTION	PART No	ITEM	DESCRIPTION	PART No	ITEM	DESCRIPTION	PART No
1	Engine- Tecumseh	L0200-110	28	Bolt Cup HD ZP M8 x 20	FBOP121	54	M6 Starlock push on fix	L0135-015
1A	Engine-Briggs & Stratton	L0200-120	29	Pin Clutch Thrust	L1020-726	55	Bearing 6203-Z	FBRL070
2	Key 3/16 x 1	L1015-385	30	Block Clutch Thrust	L1020-725	56	Reel Housing RH PTD	L1035-215
3	Screw Grub M5 x 10 Long	L1015-700	31	Plate Clamp Clutch	L1020-765	57	Grease Nipple 1/4 SAE Straight	L1060-110
4	Coupling Inline 3/4" x 3/4"	L1015-700B	32	Bearing - 025X047X12Wide	FBRL130	58	Reel Adj Pivot Bolt	L1035-230
5	Bar Drive 400 3/4"	L1415-700B	33	Lining Clutch 2mm	L1020-760	59	Reel Brg Housing Washer 3/8	L1035-200
5B	Bar Drive 500/660 3/4"	L1515-700B	34	Bearing 17X35X10 6003-ZZ2RRS	FBRL120	60	Nut Nyloc 3/8 UNF	FNLPL45
6	Bar drive Assembly 400 3/4"	L1415-705	35	Circlip Internal 035	L0135-064	61	Reel Complete 400	L1435-400
6A	Bar drive Assembly 500 3/4"	L1515-705	36	Circlip External 017	L0135-063	61A	Reel Compl 500	L1535-400
7	Bearing Spacer Plastic	L1060-120	37	Plate Clutch Roller W/A	L1020-730	61B	Reel Compl 660	L1635-400
7A	Bearing 6203-ZZ	FBRL080	38	Bearing12X24X6 61901-2RS1	FBRL110	61C	Reel Compl Golf	L1735-400
8	Bearing Housing	FBRL070	39	Bar Clutch Control	L1020-715	61D	Reel Compl Sport	L1135-400
9	Nut M6	L1060-145	40	Chain 3/8 35-1 53P Endless	L1025-716	62	Chain Half Link 3/8	L1035-205
10	Washer Spring M6	FWAPL56	41	Sprocket Clutch Reel 39 T	L1020-753	63	Chain 3/8 35-1 67P Endless	L1025-480
11	Bolt HT M6 x 16	L1020-741	42	Bottom Blade 400	L1440-300	64	Boss - Chain Tension	L1025-700
12	Sprocket Motor 10 Teeth	L1025-725	43	Bottom Blade 500	L1540-300	65	Spring - Torsion Reel	L1025-705
13	Chain 3/8 35-1 72P Endless	L1025-490	43A	Bottom Blade 660	L1640-300	66	Shoe - Chain Tension	L1025-710
14	Chain Con Link 3/8	L1050-700	43C	Bottom Blade Golf	L1740-295	67	Bolt HT M6 x 30	FBOP109
15	Cable Clutch Assy	L1020-785B	43D	Bottom Blade 660C	L1640-295	68	Sprocket Reel 17 Teeth	L1020-755
16	Bracket - Cable Retainer W/A Ptd	L1020-710Z	44	Screw MC ZP CSK SLT 5/16 x 1/2	FSCPL41	69	Spring Disc (Bissell)	L1020-762
17	Bracket Clutch Reel ZP	L1020-770Z	45	Bottom Blade 400 Assy	L1440-450	70	Plate Drive	L1020-810
18	Pin 6 x 45 Long ZP	FNLPL06	45A	Bottom Blade 500	L1540-450	71	Roll pin	L1020-739
19	Nut Nyloc ZP M6	L1220-395	45B	Bottom Blade Assy 660	L1640-450	72	Sprocket Clutch Reel 51T	L1020-732
20	Spring	FWAPL06	45C	Bottom Blade Assy Golf	L1740-450	73	Sprocket Clutch 66 Teeth	L1020-800
21	Washer flat ZP M6 x 16 x 1.2	L1020-700Z	45D	Bottom Blade Assy 660C	L1640-460	74		
22	Lever Clutch Roller ZP	FNUPL08	46	Bolt HT ZP M8 x 20 setscrew grade 10.9	FBOP102			
23	Nut ZP M8	FWAPL58	47	Screw Taplite	L0108-039			
24	Washer spring ZP M8	L1020-705Z	48	Carrier-Bottom Blade 400	L1440-390			
25	Bracket Clutch Roller ZP	L1020-720	48A	Carrier-Bottom Blade 500	L1540-390			
26	Plate Clutch Mount W/A		48B	Carrier-Bottom Blade 660	L1640-390			
27			49	Catcher Stud	L1035-240			
			50	Washer Flat ZP M8 x 19 x 1.6	FWAPL08			
			51	Nut Nyloc ZP Thin 5/16 UNF	L0111-041			
			52	Reel Brg Housing Washer 5/16	L1035-202			
			53	Reel Adj Complete	L1035-290			

**Masport®**

**MODEL: TWIN DRIVE REEL MOWER ( ALL MODELS ) - ROLLER ASSEMBLY**



# Masport®

## MODEL:TWIN DRIVE REEL MOWER (ALL MODELS) - ROLLER ASSEMBLY

ITEM	DESCRIPTION	PART No	ITEM	DESCRIPTION	PART No	ITEM	DESCRIPTION	PART No
1	Spacer - Bearing Plastic	L1060-120	26	Back Roller Assy 400 Rubber	L1230-360	50A	Front Roller Assy Steel Golf	L1745-350
2	Bearing - 17 x 40 x 12 400/500	FBRLO80	26A	Back Roller Assy 500 Rubber	L1230-395	51	Handwheel Spacer ZP	L1745-215
2A	Bearing - 17 x 40 x 12 660 Sport/Golf	FBRLO70	26B	Back Roller Assy 660 Rubber	L1230-400	52	Nut ZP M10	FNUPL10
3	Bolt - HT M6 x 16	FBOPLO1	27	Nut Nyloc M10	FNLPL10	53	Nut Nyloc Thin 3/8 UNF	L0111-046
4	Washer - Spring M6	FWAPL56	28	Washer Flat M10	FWAPL10	54	Nut Nyloc ZP M6	FNLPL06
5	Nut M6	FNUPL06	29	Front Roller Bkt Assy 400 ZP	L1445-300	55	Turf Rake Shaft 1/2 660	L1145-130
6	Bearing Housing	L1060-145	29A	Front Roller Bkt Assy 500 ZP	L1545-300	55A	Turf Rake Shaft 1/2 Golf	L1745-130
7	Back Roller Drive Key 1/8 x 3/4	L1030-170	29B	Front Roller Bkt Assy 660 ZP	L1645-300	56	Turf Rake Shaft 5/16 660	L1145-140
8	Back Roller Shaft 400	L1430-350	30	Reel Adjustor Pivot Bolt	L1035-230	56A	Turf Rake Shaft 5/16 Golf	L1745-140
8A	Back Roller Shaft 500/Golf	L1530-350	31	E Clip 5/8	L0135-025	57	Turf Rake Bkt	L1745-105
8B	Back Roller Shaft 660/Sport	L1630-350	32	Washer Flat M16 x 25	L0115-016	58	Bolt HT ZP M8 x 16 Set Screw	FBOPL18
9			33	Front Roller Adj Spring	L1045-220	59	Nut Nyloc ZP M8	FNLPL08
10	Nut ZP Half M12	L0110-013	34	Handwheel Front Roller Adjustor	L1045-240	60	Turf Rake Spacer	L1745-115
11	Screw Sqhd Cup Point 5/16 x 3/8	L0107-040	35	Nut Nyloc M12	FNLPL12	61	Turf Rake Tyme	L1745-120
12	Back Roller Locking Collar	L1030-230	36	Washer Flat ZP M12	FWAPL12	62	Turf Rake Assy 660	L1145-150
13	Screw Sqhd Cup Point 5/16 x 5/8	L0107-041	37	Front Roller Shaft 400 ZP	L1445-395	62A	Turf Rake Assy Golf	L1745-150
14	Back Roller Pawl	L1030-290	37A	Front Roller Shaft 500 ZP	L1545-395			
15	Washer Flat ZP 1/4	L0115-040	37B	Front Roller Shaft 660 ZP	L1645-395			
16	Back Roller Pawl Spring	L1030-270	38	Washer Flat ZP M16 x 34 x 3.0	L0115-056			
17	Back Roller Ratchet RH	L1030-250	39	Wooden Roller 45mm	L1045-385			
18	Back Roller Ratchet LH	L1030-245	40	Wooden Roller 82mm	L1045-390			
19	Back Roller Spacing Tube 660	L1630-200	41	Front Roller Spacer 500	L1545-350			
20	Back Roller Drum 400	L1430-330	42	Front Roller Assy 400	L1445-400			
20A	Back Roller Drum Golf	L1730-330	42A	Front Roller Assy 500	L1545-400			
20B	Back Roller Drum 500/660	L1530-330	42B	Front Roller Assy Compl 660	L1645-400			
21	Back Roller Centre Drum 660	L1630-305	43	Front Roller Shaft 660	L1145-340			
22	Sleeve Rubber Back Roller	L1230-180	43A	Front Roller Shaft Golf	L1745-340			
23	Back Roller Drum 400 Rubber	L1230-302	44	Front Roller Steel Tube 660	L1145-345			
23A	Back Roller Drum 500/660 Rubber	L1230-320	44A	Front Roller Steel Tube Golf	L1745-345			
23B	Back Roller Centre Drum 660 Rubber	L1230-305	45	Bearing 6203-ZZ	FBRLO80			
24	Sintered Bush Golf	L1730-190	46	End Cap	L1745-335			
25	Back Roller Assy 400	L1430-450	47	Screw ZP PHD SLT 6 x 3/8	FSCPL08			
25A	Back Roller Assy 500	L1530-450	48	Front Roller Bkt	L1745-200			
25B	Back Roller Assy 660	L1630-450	49	Bolt Eng ZP M10 x 25	FBOPL85			
25C	Back Roller Assy Golf	L1730-400	50	Front Roller Assy Steel 660	L1145-350			