

PARTS CATALOG

Model BL25mini4

1. MACHINE BODY	2
2. CRANKCASE	4
3. CRANKSHAFT	6
4. CAMSHAFT	8
5. RECOIL STARTER	10
6. CARBURETOR	12
7. AIR CLEANER	14
8. MUFFLER	16
9. FLYWHEEL	18
10. STANDARD ACCESSORIES	20
11. OPTION	22

A: Consumption items such as rubber and gasket parts.

Each parts Q'ty = Approx. 2 or 3% against for total machine quantity.

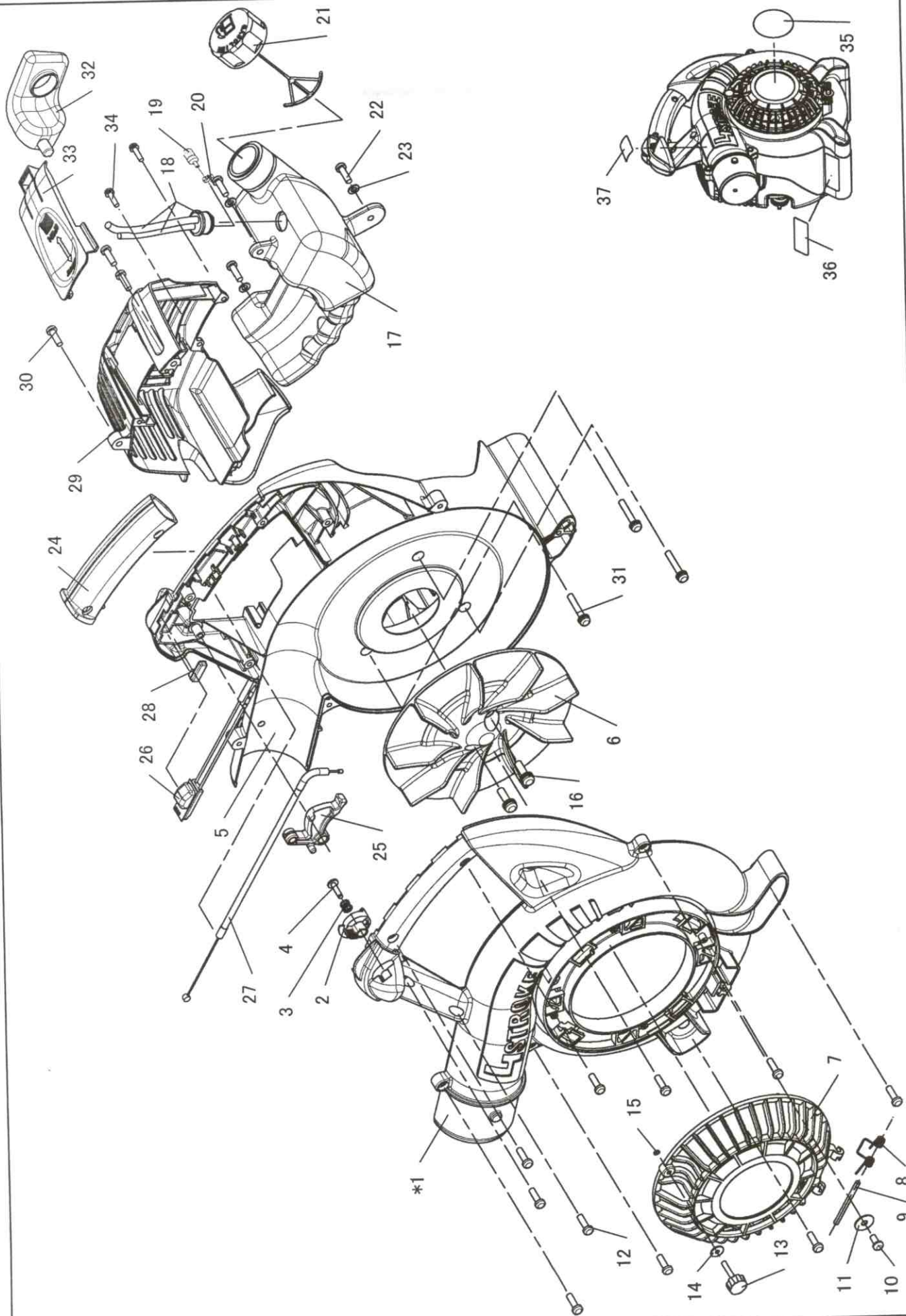
B: Possibility to cause wear, break and any loss.

Each parts Q'ty = Approx. 0.5 or 1% against for total machine quantity.

C: Not necessary to replace in ordinary use.

Each parts Q'ty = Approx. 0.1 or 0.2% against for total machine quantity.

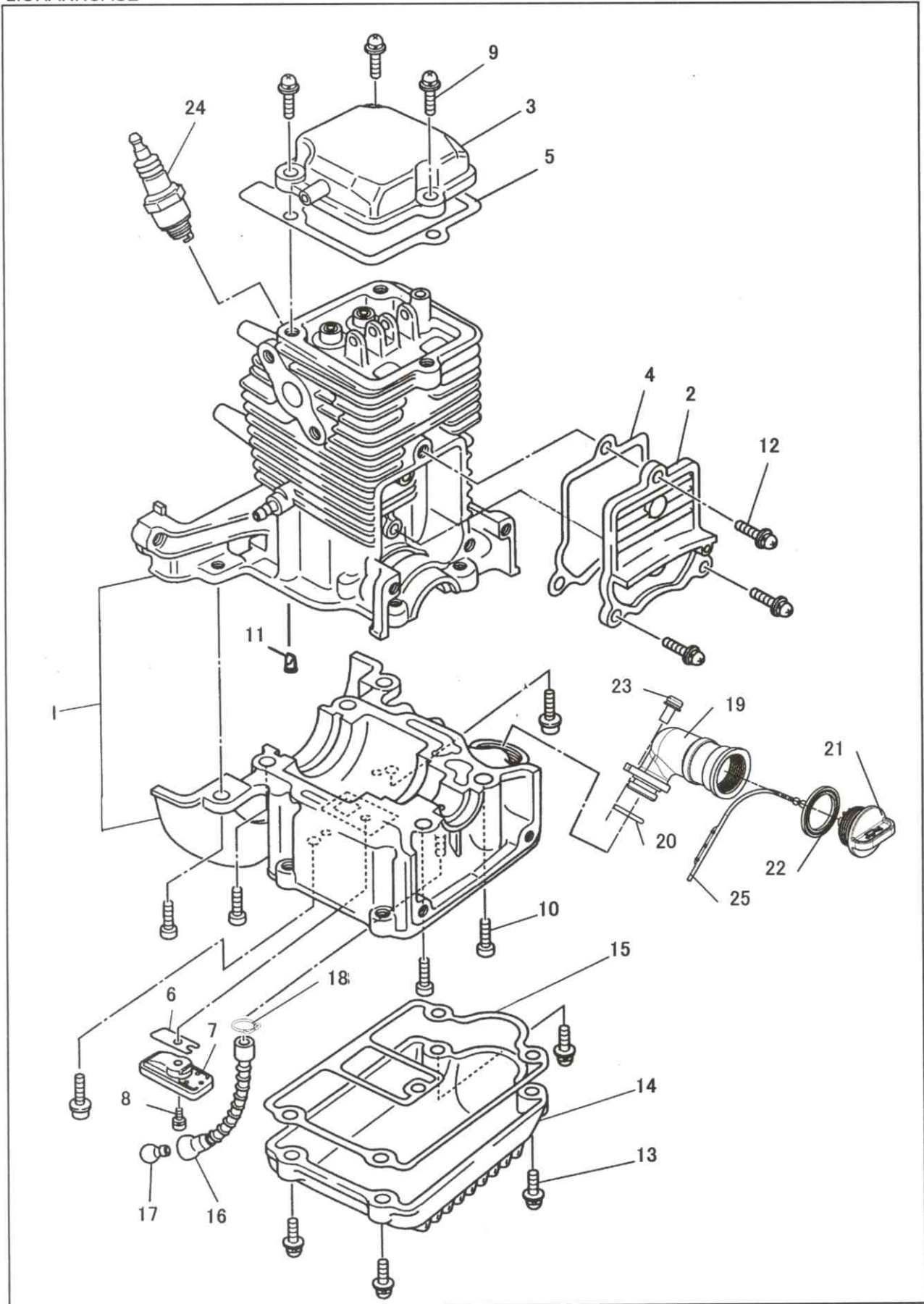
1.MACHINE BODY



1. MACHINE BODY

REF .NO	PART NUMBER	PART NAME	BL25mini4	REMARKS
	6651010000	CASE 1, VOLUTE ASSY	1	INCL. 2-4
2	6655500100	LEVER, CRUISE	1	
3	6655500200	SPRING	1	
4	0150049840	TAPPING SCREW	1	4*16
5	6651014000	CASE 2, VOLUTE COMPL	1	
6	6651003000	IMPELLER COMPL	1	
7	6601502702	PROTECTOR	1	
8	6601503001	SPRING	1	
9	6601503100	SHAFT	1	
10	0150059750	TAPPING SCREW	0	5*10
	0150059760	TAPPING SCREW	1	5*16
11	0031205003	WASHER	1	
12	0150059760	TAPPING SCREW	10	5*16
13	0150049830	TAPPING SCREW	0	4*13
	6601503201	SCREW	1	
14	6601503500	WASHER	1	
15	6601503400	SNAPRING, OUTER	1	
16	0043606200	SCREW ASSEMBLY	2	M6*20 W, SW
17	6653500000	TANK, FUEL	1	
18	0851189950	TUBE	1	
19	5236503900	FILTER	1	
20	0561059990	HOSE CLAMP	1	
21	5926017000	CAP, FUEL TANK ASSY	1	
22	0150059760	TAPPING SCREW	3	5*16
23	0031005003	WASHER	3	
24	6655500000	GRIP	1	
25	6655500300	LEVER, THROTTLE	1	
26	6655001000	SWITCH COMPL	1	
27	0630029730	CONTROL CABLE	1	
28	6651500500	RUBBER, FRICTION	1	
29	6656500000	COVER, ENGINE	1	
30	0150059760	TAPPING SCREW	3	5*16
31	0043605300	SCREW ASSY	3	M5*30 W, SW
32	5926501600	GUARD, OIL	1	
33	6656500100	COVER, PLUG	1	
34	0140049770	SCREW ASSY	2	M4*16 W, SW
35	6659503700	LABEL, PROTECTOR	1	
36	6609508600	LABEL, CAUTION	1	
37	6609513200	LABEL, CAUTION	1	

2. CRANKCASE



2. CRANKCASE

REF. NO.	PART NUMBER	PART NAME	QTY.		REMARKS
				BL25mini4	
1	5921011000	CYLINDER BLOCK SET		1	
2	5921500502-1	COVER, CAM GEAR		1	
3	5921004001	ROCKER COVER COMPL		1	
4	5921500700	GASKET, COVER CAM GEAR		1	
5	5921500800	GASKET, ROCKER COVER		1	
6	5921501000	LEAD VALVE		1	
7	5921501100	RETAINER PLATE		1	
8	0119049980	SOCKET HEAD BOLT		1	M4*10
9	0043605160	SCREW ASSEMBLY		3	M5*16 W, SW
10	0119059510	SOCKET HEAD BOLT		8	M5*14
11	5921501800	CHECK VALVE		2	
12	0043605140	SCREW ASSEMBLY		3	M5*14 W, SW
13	0043605180	SCREW ASSEMBLY		4	M5*18 W, SW
14	5926500000-2	CASE, OIL		1	
15	5926500100	GASKET, CASE		1	
16	5926500200-1	TUBE, OIL		1	
17	5926500300	WEIGHT, OIL		1	
18	0561059970	HOSE CLAMP		1	
19	5926021000	PIPE, OIL COMPL		1	
20	0240139950	O RING		1	
21	5926501500	CAP, OIL		1	
22	0213229990	GASKET		1	
23	0043605120	SCREW ASSEMBLY		1	M5*12 W, SW
24	0650109950	PLUG, SPARK		1	CMR6A
25	5926501700	GAUGE, OIL		1	

3.CRANKSHAFT

