

Masport®

EURO CHIPPER - SHREDDERS

6.5 HP Chipper Shredder

ModelNumbers	583909	6.5 Chipper- Shredder
	536926	5.5 Chipper- Shredder
	936908	Chute
	736106	Trumpet

Month & Year of Introduction : September 2007

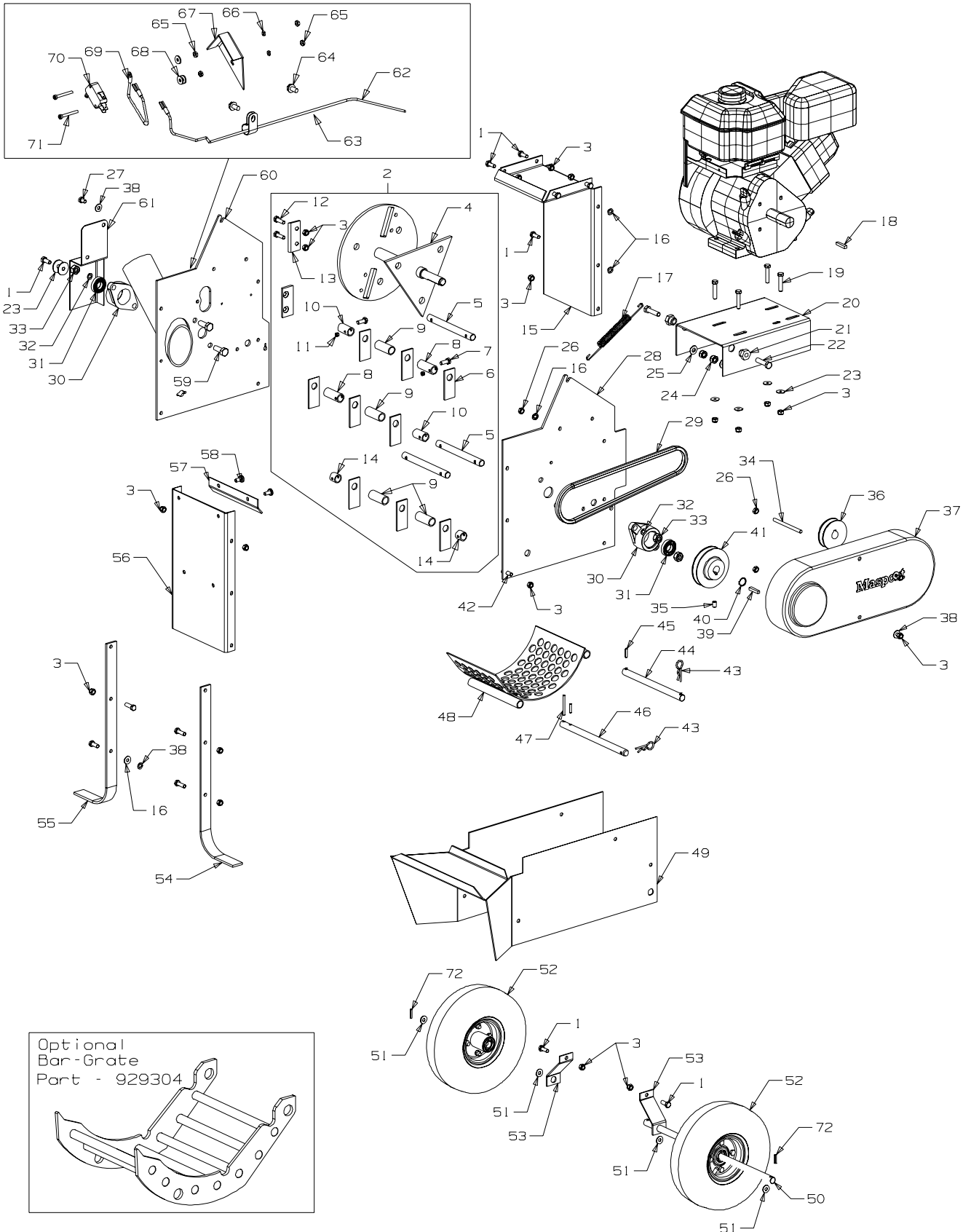




6.5 Chipper - Shredder
Powered By: Briggs and Stratton Intek 65 IC - Horizontal
5.5 Chipper - Shredder
Powered By: Honda GX160 - Horizontal

Masport®

Chipper - Shredder



When ordering PLEASE QUOTE PART NUMBER & Description, NOT Illustration No.
Determine right or left hand side from standing in operating position (standing at handle)



6.5 Chipper - Shredder
 Powered By: Briggs and Stratton Intek 65 IC - Horizontal
 5.5 Chipper - Shredder
 Powered By: Honda GX160 - Horizontal



Chipper - Shredder

Item No	Part No	Description	Qty	Item No	Part No	Description	Qty
1	501597	Screw, Set M8 x 20 Hex	18	40	503680	Circlip, 18 Ext	1
2	936196	Twin Cutter Assy-Belt Drive	1	41	536010	Pulley-Rotor, 3.5"	1
3	501793	• Nut, Nlyoc M8 Hex (2)	37	42	501598	Screw, Set M8 x 25	5
4	536195	• Rotor Assy-Belt Drive	1	43	536028	Clip-Hairpin, 3mm	2
5	536029	• Rod Assy-Shredder	3	44	936017	Rod-Shredder Plate, Rear	1
6	536030	• Blade-Shredder	9	45	503369	Pin, Tension 3/16" x 7/8"	5
7	503678	• Bolt, M5 x 28 HEX	6	46	936016	Rod-Shredder Plate, Front	1
8	536044	• Spacer-Blade, 21.3 x 51, Drilled	2	47	031290	Pin, Tension 3/16" x 2"	1
9	536045	• Spacer-Blade, 21.3 x 51, Plain	4	48	936033	Plate Assy	1
10	536042	• Spacer-Blade, 21.3 x 36, Drilled	2	49	936073	Chute-Discharge	1
11	503511	• Nut, Nyloc M5	6	50	936230	Axle-Rear	1
12	599501	• Screw, CSK M8 x 25	4	51	502017	Washer, Flat 16 x 35 x 1.6	4
13	536027	• Blade-Chipper - 75mm	2	52	536228	Wheel Assy-10 BL Pneumatic	2
14	536043	• Spacer-Blade, 21.3 x 18 - Drilled	2	53	936080	Support-Axle - Green P/C	2
15	936020	Plate-Rear - Green P/C	1	54	936078	Leg-Front, LH - Green P/C	1
16	503747	Washer, Spring 8mm	10	55	936079	Leg-Front, RH - Green P/C	1
17	536008	Spring-Belt Tensioner	1	56	936018	Plate-Front - Green P/C	1
18	536012	Key-Engine 3/16" x 3/16" x 38	1	57	936021	Plate-Stop	1
19	501843	Screw, Set M8 x 40	4	58	503679	Screw, Pan M8 x 20	2
20	936034	Plate-Mounting, Engine - Green P/C	1	59	503728	Bolt, Special M12 x 30	4
21	936035	Bush-Pivot, Engine	2	60	936099	Plate Assy-Side, RH - Green P/C	1
22	503731	Bolt, Special M10 x 40	2	61	936117	Plate-Cover, Maintenance	1
23	503746	Washer, Flat 8 x 25 x 1.6	6	62	536100	Wire-Engine Cut Out	1
24	501680	Nut, Nyloc M10	2	63	586733	Clamp-Cable, Utilux	2
25	501704	Washer, Flat 10 x 19 x 1.6	2	64	503630	Screw, S/T 10 x .4	2
26	501602	Nut, M8	4	65	503164	Nut, M3	4
27	501863	Screw, Set M8 x 12	2	66	503779	Washer, Spring M3	2
28	936003	Plate-Side, LH - Green P/C	1	67	936103	Cover-Switch	1
29	536069	Belt-V, A34	1	68	503780	Washer, Flat 3 x 10 x 1.2	3
30	503751	Housing & Bearing- Assm	2	69	536101	Wire-Engine Cut Out, Earth	1
31		• Bearing, SKF YAR 204-012-2RF	2	70	503777	Micro Switch	1
32	501759	Washer, Spring 12mm	4	71	503778	Screw, Pan M3 x 25	2
33	501756	Nut, M12	4	72	500028	Cotter Pin, 1/8th x 1-inch	2
34	536024	Stud-M8 x 100, Belt	2			NOT ILLUSTRATED	
35	503734	Screw, Grub UNC 3/8" x .5	1	936098		Cover-Wire Protection	1
36	536011	Pulley-Engine, 2.5"	1	536105		Owner's Manual	1
37	536015	Cover-Belt	1			OPTIONAL ACCESSORY	
38	501606	Washer, Flat 8 x 19 x 1.6	10	929304		Bar-Grate	1
39	536064	Key-Engine 1/4" x 1/4" x 32	1				

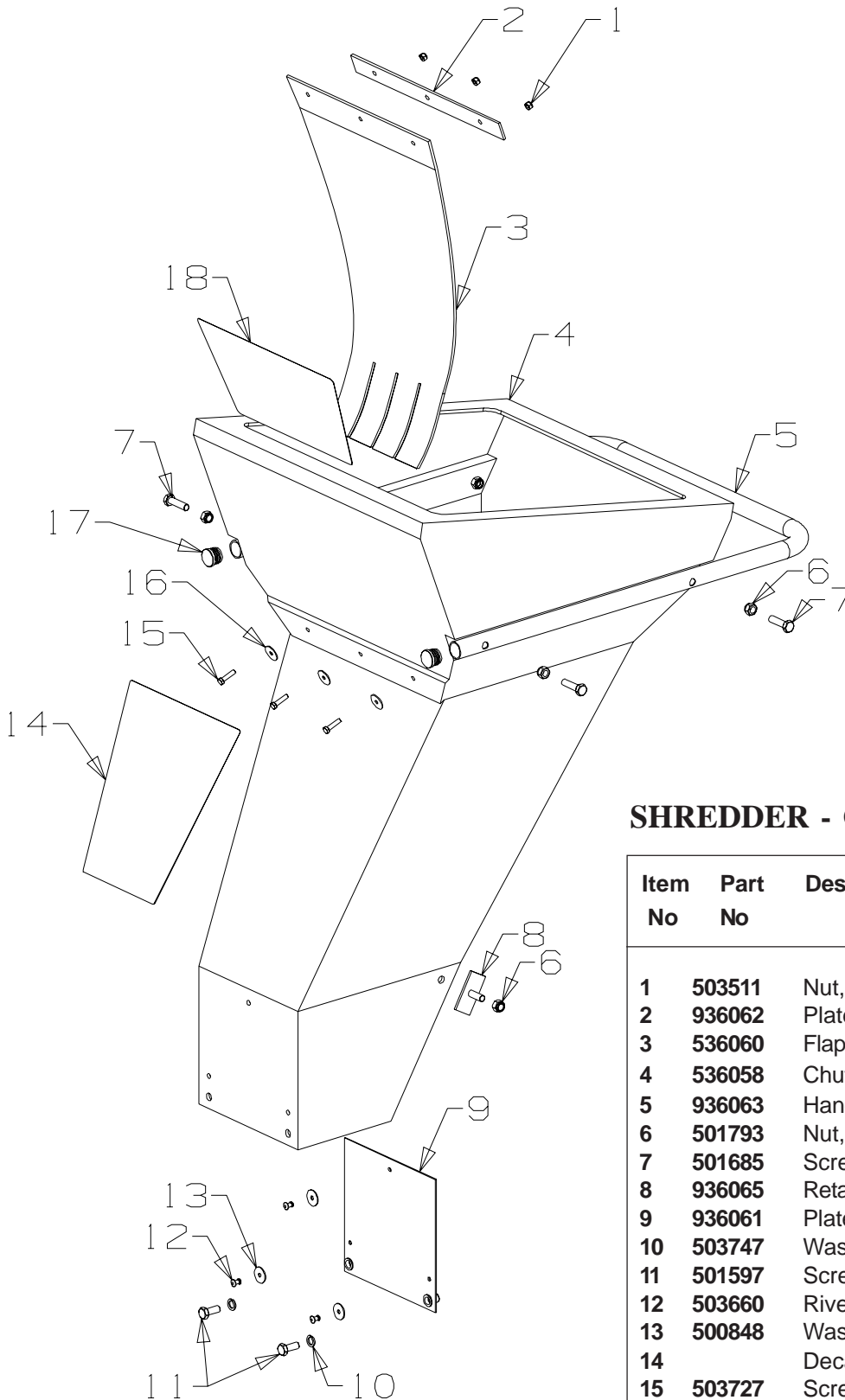
Bold Text = Assemblies
Bulleted Text = Items included in Assemblies



6.5 Chipper - Shredder
 Powered By: Briggs and Stratton Intek 65 IC - Horizontal
 5.5 Chipper - Shredder
 Powered By: Honda GX160 - Horizontal

Masport®

Chipper - Shredder



SHREDDER - CHUTE, Part 936908

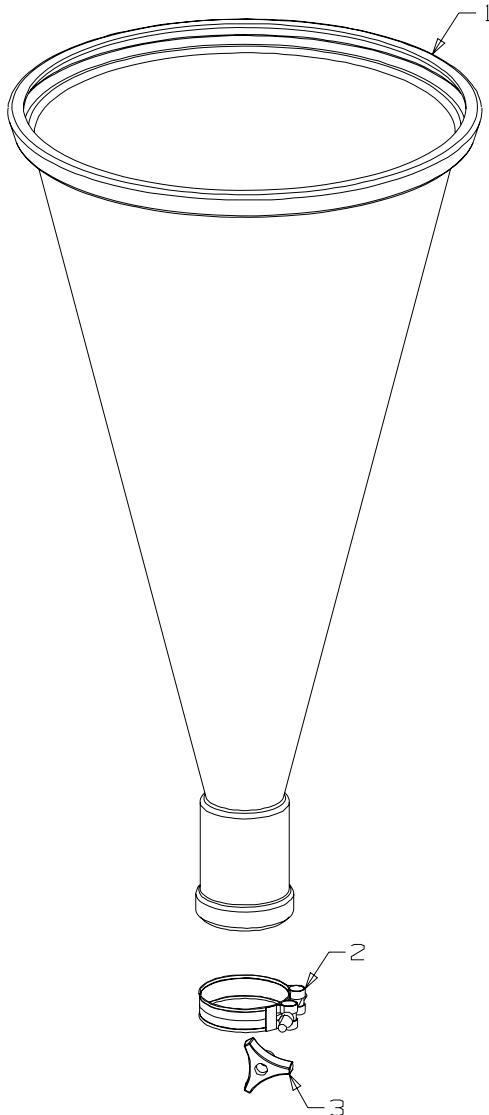
Item No	Part No	Description	Qty
1	503511	Nut, M5 Hex Nyloc	3
2	936062	Plate-Kickback - Black	1
3	536060	Flap-Chute, Rubber	1
4	536058	Chute-Chipper - Black	1
5	936063	Handle-Chute - Black	1
6	501793	Nut, M8 Hex Nyloc	6
7	501685	Screw, Set M8 x 30 Hex	4
8	936065	Retainer-Chute	2
9	936061	Plate-Protector, Front	1
10	503747	Washer, Spring 8mm	2
11	501597	Screw, Set M8 x 20 Hex	2
12	503660	Rivet-Pop, 4.8 Dia x 9.0	3
13	500848	Washer, Flat 3/16" x .5	3
14		Decal - Front, Masport	1
15	503727	Screw, Set M5 x 20 Hex	3
16	503512	Washer, Flat 5 x 22 x 1.5	3
17	503319	Plug-22mm - Plastic	2
18		Decal - Danger	1



6.5 Chipper - Shredder
Powered By: Briggs and Stratton Intek 65 IC - Horizontal
5.5 Chipper - Shredder
Powered By: Honda GX160 - Horizontal

Masport®

Chipper - Shredder



TRUMPET, Part 736106

Item No	Part No	Description	Qty
1	536095	Chute-Chipper - Black	1
2	503776	Clamp-Chute	1
3	574230	Knob-Plastic, M8 Insert	1

HEAD OFFICE - NEW ZEALAND

P.O. 14-349

Panmure, Auckland 1741

New Zealand

Phone: (64 9) 571 1200

Fax: (64 9) 571 5864

Website : www.masport.com

Email : sales@masport.co.nz



6.5 Chipper - Shredder
Powered By: Briggs and Stratton Intek 65 IC - Horizontal
5.5 Chipper - Shredder
Powered By: Honda GX160 - Horizontal

Masport®

Chipper - Shredder
