

Masport®

EUROPEAN C E ROTARY MOWERS

SERIES-18, 300ST - OPC

Part Number 583785 300ST Classic

Market Introduction: January 2007

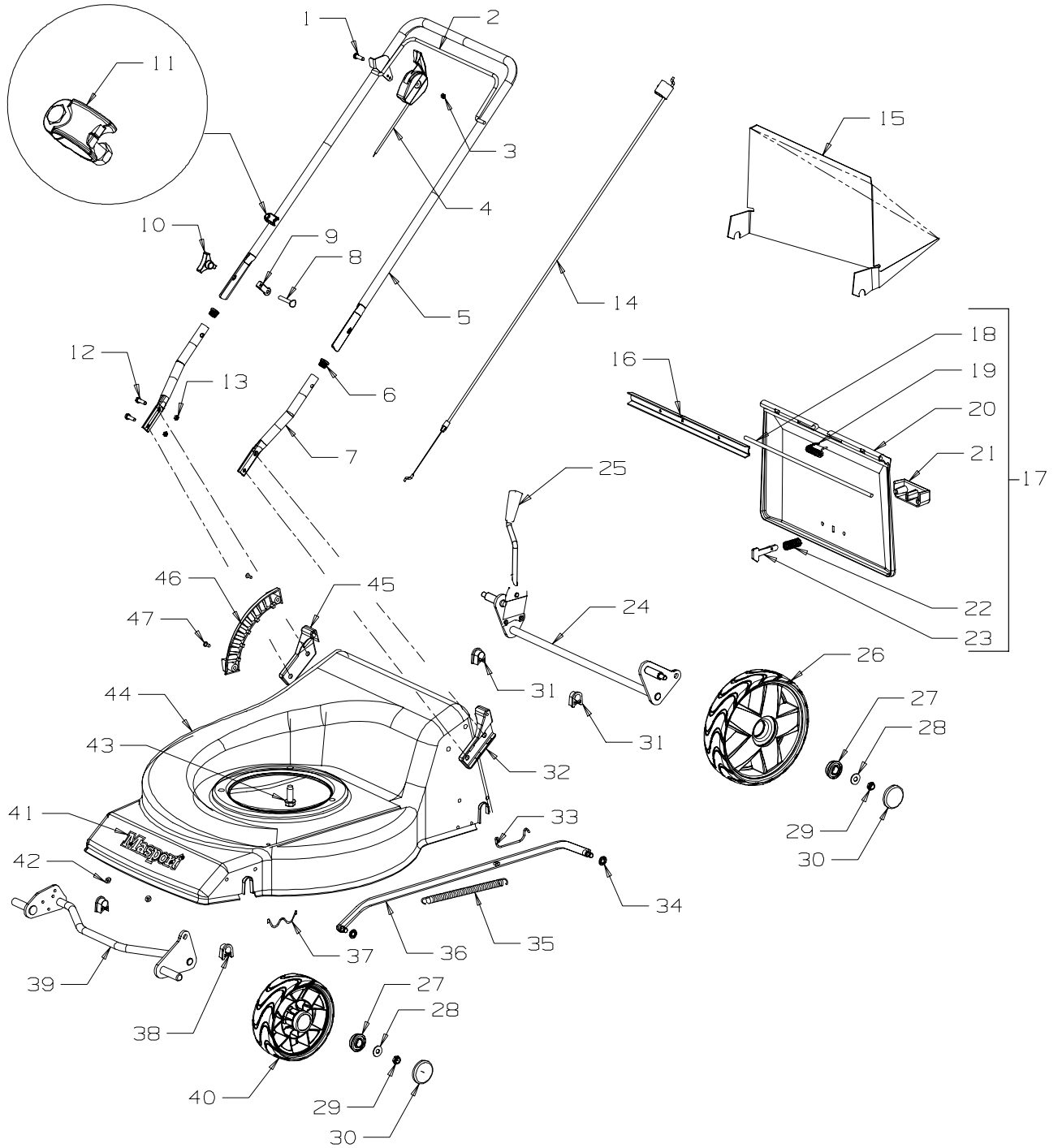




Series 18 - 300ST
Powered By: Briggs & Stratton Classic

Masport

Series 18 - 350ST



When ordering PLEASE QUOTE PART NUMBER & Description, NOT Illustration No.
Determine right or left hand side from standing in operating position (standing at handle)



Series 18 - 300ST
Powered By: Briggs & Stratton Classic

Masport

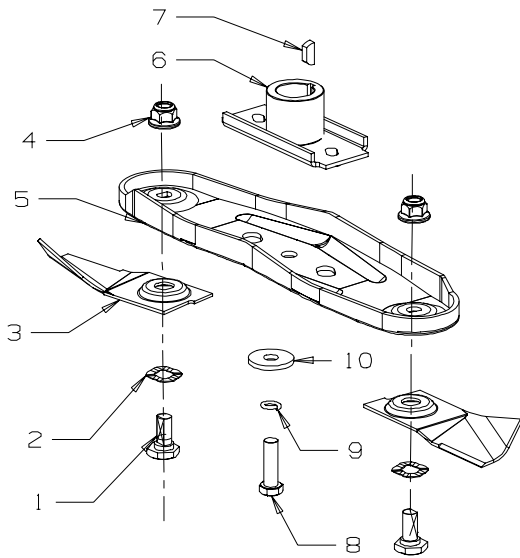
Series 18 - 350ST

Item No	Part No	Description	Qty	Item No	Part No	Description	Qty
1	503604	Screw, Pan M6 x 45	1	33	580225	Retainer-clip, Rear axle	2
2	583034	Handle-Bail, Flat	1	34	501365	Clip-Starlock, 5/16"	2
3	501764	Nut, Nyloc M6	3	35	581463	Spring-CounterBalance	1
4	583458	Control-Throttle, +Ve N/Ch	1	36	580404	Rod Assy-Connecting, 150mm	1
5	983033	Handle-Upper, Flat - Black	1	37	529674	Retainer-Clip "W", Front axle	2
6	503319	Plug-Plastic, 22mm - Black	2	38	580030	Bush-Pivot, Front Axle	2
7	980692	Handle-Lower, "Stub" - Black	2	39	583590	Axle-Front, 150mm	1
8	574218	Bolt, SPH M8 x 53 x 35	2	40	579195	Wheel Assy-Front 150mm	2
9	581527	Retainer-Control Cable, Handle	1	(27)	551212	• Bearing-Wheel (2 per Wheel)	4
10	783272	Knob-Plastic M8 assm	2	(28)	501606	Washer, Flat 8 x 19 x 1.6	4
11	782546	Kit - Comfort Start	1	(29)	503831	Nut-Nyloc M8	4
12	501598	Screw, Set M8 x 25	4	(30)	579198	Hub Cap-Button	4
13	501793	Nut, Nyloc M8, Hex ZP	4	41	581240	Nameplate. "Masport"	1
14	581656	Cable-Engine - OPC, Push On	1	42	503150	Clip-Starlock, 5 Dia	1
15	980694	Grass Defector (Optional)	1	43	580453	Screw, Motor S/T 3/ 8" x 1 1/8"	3
16	583151	Dust Seal, Flap-plastic	1	44	779378	Housing - Silver	1
17	782200	Flap Assy-Rear, Plastic	1	45	980667	Bracket-Flap, RH	1
18	581743	• Wire-6mm x 352mm, Flap Pivot	1	46	580025	Quadrant-Height Selector	1
19	581349	• Spring-Flap	1	47	503660	Rivet-Pop 4.7 Dia x 9.0	2
20	581517	• Flap-Plastic - Black	1				
21	580602	• Handle-Flap	1				
22	581106	• Spring-Latch, Flap	1				
23	981650	• Latch-Flap, Barbed	1				
24	583591	Axle Assy-Rear, Complete	1				
25	580056	• Grip, Height-Lever	1				
26	579197	Wheel Assy-Rear 200mm	2				
27	551212	• Bearing-Wheel (2 per Wheel)	4				
28	501606	Washer, Flat 8 x 19 x 1.6	4				
29	503831	Nut-Nyloc M8	4				
30	579198	Hub Cap-Button	4				
31	580668	Bush-Pivot, Rear Axle	2				
32	980666	Bracket-Flap, LH	1				
						NOT ILLUSTRATED	
					583154	Owners Manual	1
					503054	Tie-Nylon Cable	2
					580778	Stop-Rope - Comfort Start	1
					582444	Decal-Flap	1
					582445	Decal-Housing	1
					582446	Decal-Front	1

Bold Text = Assemblies
Bulleted Text = Items included in Assemblies



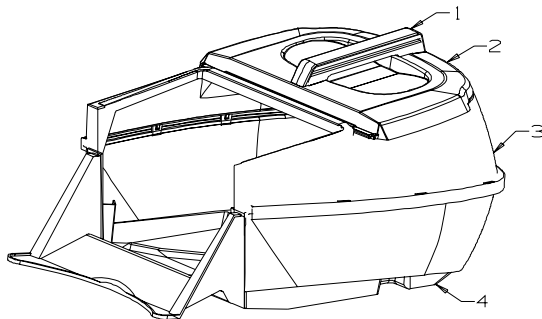
460mm Quick Cut Blade Assembly



Item No	Part No	Description	Qty
*	981364	Blade Assm - 460mm	
*	583049	Blade & Bolt Pack	
*	580133	Bolt Pack (incl. item 1, 2 & 4)	
1*	581707	• Bolt-Blade	2
2*	580693	• Washer, Wavy 13.4x24.2x.51	2
3	583049	• Blade, QuickCut - 460mm	2
4*	503672	• Nut, Flange Nyloc M10	2
5	580653	Carrier-Blade	1
6	582392	Driver Assy-Blade - 22mm Shaft	1
7	500636	Key, Woodruff - 5/8" x 5/32" x 1/4"	1
8	581610	Screw, Set NF 3/8" x 1.25	1
9	500204	Washer, Spring 3/8"	1
10	503855	Washer, Flat 9.75 x 30 x 4	1

Bold Text = Assemblies
Bulleted Text = Items included in Assemblies

Catcher Assembly Complete, Plastic - Part Number 980670



Item No	Part No	Description	Qty
1	580673	Handle-Catcher	1
2	580674	Lid-Catcher	1
3	580671	Top-Catcher	1
4	583295	Bottom-Catcher	1

MASPORT HEAD OFFICE - NEW ZEALAND

P.O. Box 14-349
Panmure, Auckland 1741,
New Zealand
Phone: (64 9) 571 1200
Fax: (64 9) 571 5864
Website : www.masport.com
Email : sales@masport.co.nz