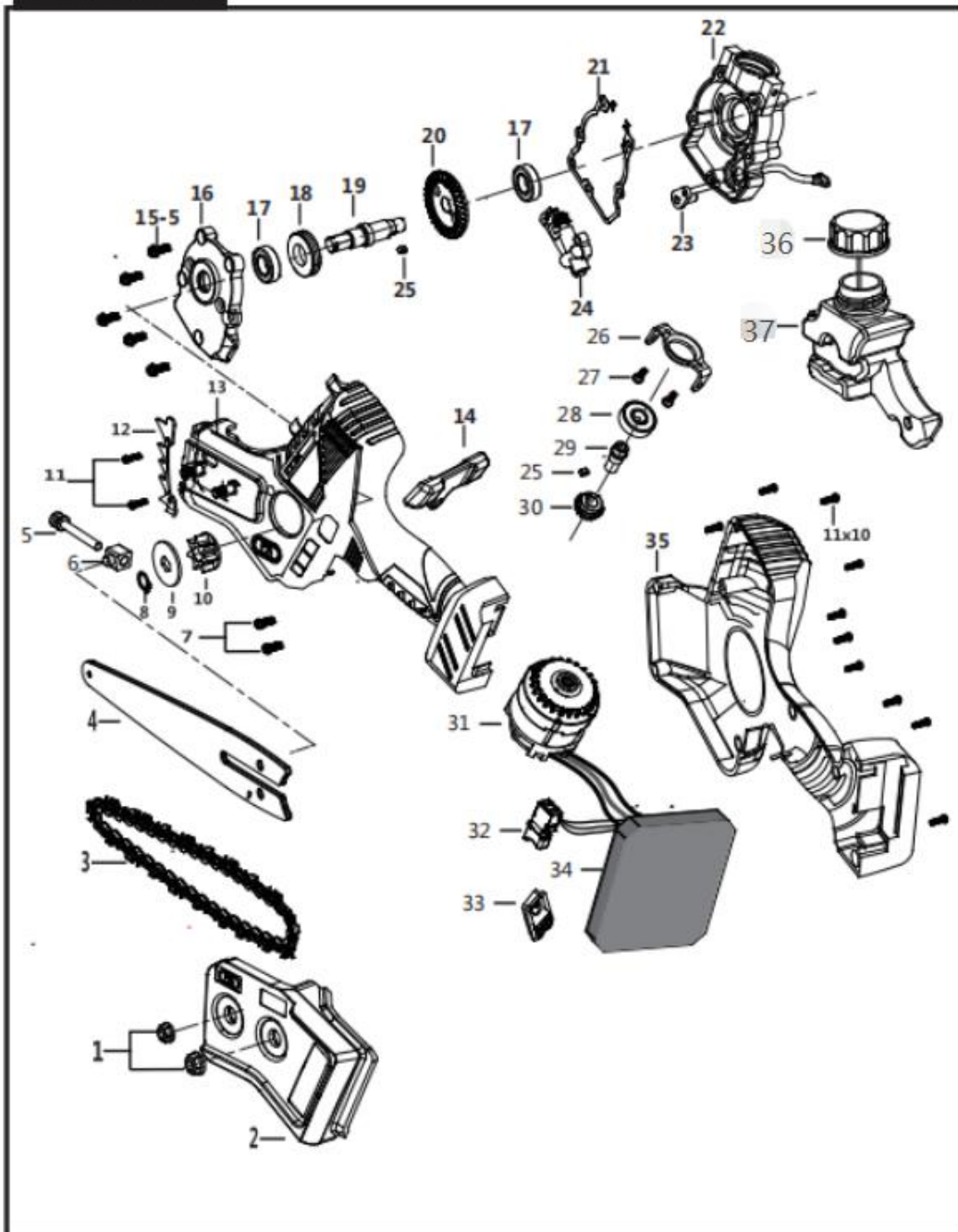


EXPLODED VIEW

CSD01-21V



Part List

NO.	NO.	Description	Using quantity
1	CSD0100000001	M6 Flange nut	2
2	CSD0100000002	Chain saw protective cover	1
3	CSD0100000003	chain	1
4	CSD0100000004	guide bar	1
5	CSD0100000005	Tension rod	1
6	CSD0100000006	Tension nut	1
7	CSD0100000007	M4*10 Pan head Phillips screw	2
8	CSD0100000008	Circlip for shaft	1
9	CSD0100000009	Sprocket gasket	1
10	CSD0100000010	Sprocket	1
11	CSD0100000011	ST3.0*12 Pan head Phillips screw	13
12	CSD0100000012	Wooden teeth	1
13	CSD0100000013	Left handle	1
14	CSD0100000014	Lock push button	1
15	CSD0100000015	M4*12 Hexagon socket head screw	6
16	CSD0100000016	Gear box cover	1
17	CSD0100000017	6901 Deep groove ball bearing	2
18	CSD0100000018	Worm	1
19	CSD0100000019	Output shaft	1
20	CSD0100000020	Big bevel gear	1
21	CSD0100000021	Oil seal	1
22	CSD0100000022	Tooth box body	1
23	CSD0100000023	oil tube	1
24	CSD0100000024	Oil pump	1
25	CSD0100000025	Flat key3*3*6	2
26	CSD0100000026	Motor support plate	1
27	CSD0100000027	st3.5*10 Pan head Phillips screw	2
28	CSD0100000028	690 Deep groove ball bearing	1
29	CSD0100000029	Coupling	1
30	CSD0100000030	Small bevel gear	1
31	CSD0100000031	Motor	1
32	CSD0100000032	Speed switch	1
33	CSD0100000033	Power switch panel	1
34	CSD0100000034	Control board assembly	1
35	CSD0100000035	Right handle	1
36	CSD0100000036	Oil can lid	1
37	CSD0100000037	Oil can	1