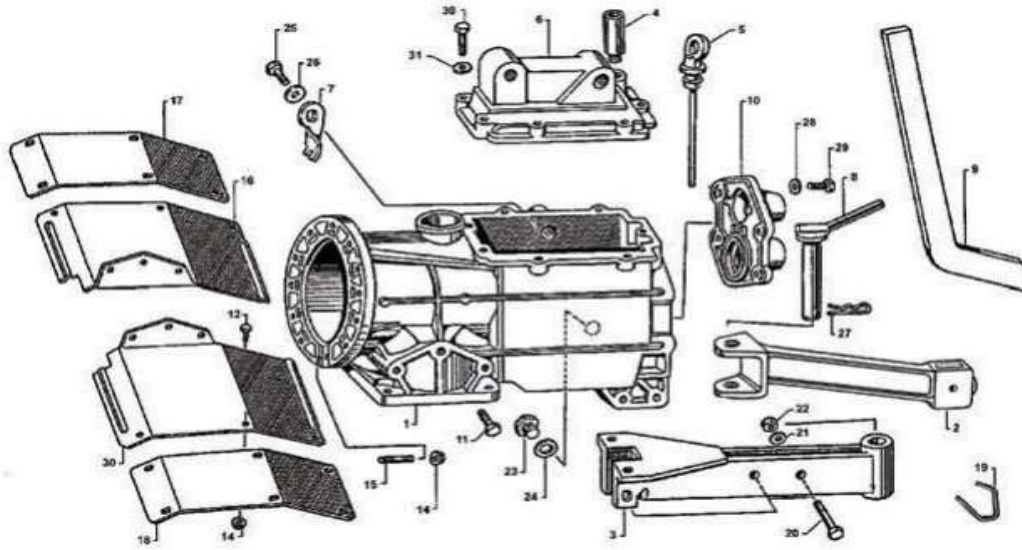


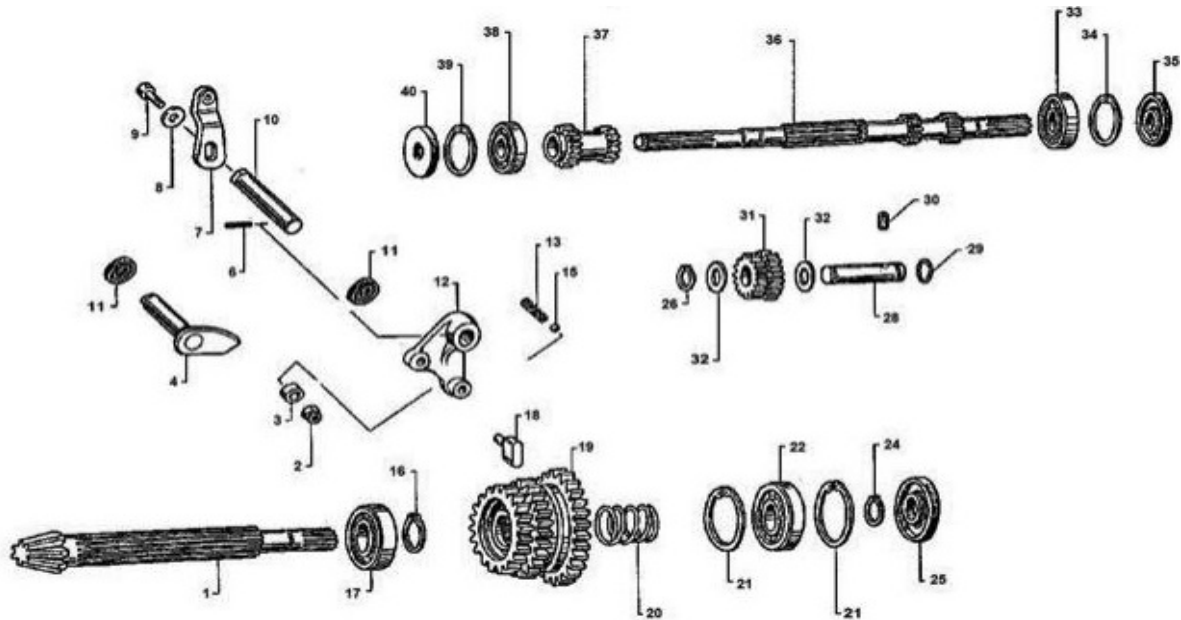


**MXT-1300**



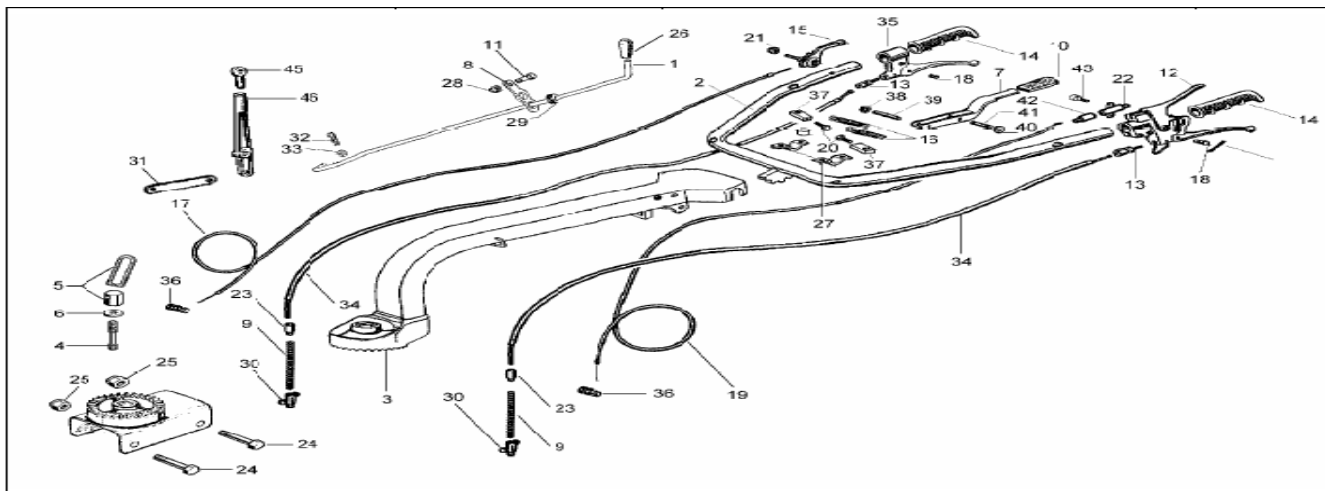
NO	KOD / CODE	DESCRIPTION ( GB )
1	MXT130023210401	GEARBOX
2	MXT130023210029	CONNECTOR
3	MXT130023130210	CONNECTOR
4	MXT130023211431	PLUG
5	MXT130060006600	PLUG
6	MXT130023202101	COVER
7	MXT130023214365	LEVER
8	MXT130022031200	PIN
9	MXT130023210004	KNIFE
10	MXT130023214365	COVER
11	MXT130023208945	BOLT M8X15
12	MXT130063008150	BOLT M8X25
13	MXT130063000800	PROTECTION RIGHT
14	MXT130060008400	NUT
15	MXT130023214362	STUD BOLT
16	MXT130023137010	PROTECTION LEFT
17	MXT130023137020	ADD. PROTECTION LEFT
18	MXT130022137210	ADD. PROTECTION RIGHT
19	MXT130063010450	BRACKET
20	MXT130063000100	WASHER
21	MXT130063000102	BOLT
22	MXT130023012400	NUT
23	MXT130060001400	OIL DISCHARGE PLUG
24	MXT130063061200	WASHER
25	MXT130063061820	BOLT
26	MXT130060100040	WASHER
27	MXT130063103500	PIN
28	MXT130063103500	WASHER
29	MXT130023214363	STUD BOLT
30	MXT130060021640	STUD BOLT
31	MXT130063000102	NUT





NO	KOD / CODE	
1	MXT130023210014	PINION SCHAFT
2	MXT130023314806	PIN
3	MXT130023211063	BUSH
4	MXT130023216490	LEVER
6	MXT130060005250	PIN
7	MXT130023209260	LEVER
8	MXT130063000060	WASHER
9	MXT130063061200	BOLT M6X12
10	MXT130023216532	PIN
11	MXT130065015224	OIL SEAL 14X24X5
12	MXT130023211065	FORK
13	MXT130060205366	SPRING
15	MXT130064003800	BALL
16	MXT130066047125	SEEGER
17	MXT130064006205	BEARING
18	MXT130023201426	PIN
19	MXT130023214802	GEAR
20	MXT130060210193	SPRING
21	MXT130066047252	SEEGER
22	MXT130064006304	BEARING 6304
24	MXT130066047120	SEEGER
25	MXT130065020527	OIL SEAL 20X52X7
26	MXT130066047115	SEEGER
28	MXT130023212361	PIN
29	MXT130061010250	ORING
30	MXT130063081000	8X10 BOLT
31	MXT130023210012	GEAR
32	MXT130063014610	WASHER STEEL
33	MXT130064006203	BEARING 6203
35	MXT130065017407	OIL SEAL
36	MXT130023212363	SHAFT
37	MXT130023214621	GEAR
38	MXT130064006302	BEARING 6302
39	MXT130066047242	SEEGER
40	MXT130065015427	OIL SEAL 15X42X7





NO	KOD / CODE	
1	MXT130023130500	SPEED ROD
2	MXT130022144425	HANDLE BAR
3	MXT130022144445	HANDLE LEVER
4	MXT130022040000	STUD
5	MXT130022039600	LOCKING LEVER
6	MXT130063000141	WASHER M16
7	MXT130022126856	LEVER
8	MXT130022038600	LEVER FIXING PART
9	MXT130060040400	R.SPEED SPRING
10	MXT130022126773	KNOB
11	MXT130063008150	SCREW 8X15
12	MXT130022117874	LEVER
13	MXT130057042200	COUPLING
14	MXT130022111097	KNOB
15	MXT130022042200	ACC. HANDLE
16	MXT130022114312	HANDLE SPRING
17	MXT130060045000	CABLE
19	MXT130060045100	PIN
20	MXT130063061200	CABLE
21	MXT130063000600	NUT M6
24	MXT130063012090	SWITCH
25	MXT130063000122	HOLDFAST
26	MXT130022104054	BOLT M12X100
27	MXT130022110299	NUT M12
28	MXT130063000800	NUT M8
29	MXT130022038600	FERRULE
30	MXT130022043000	HOLDFAST
31	MXT130023070100	CONNECTOR
32	MXT130060008800	PIN 3mm
33	MXT130063000101	WASHER M10
34	MXT130022042400	CABLE
35	MXT130022117874	LEVER
36	MXT130022107173	HOLDFAST
38	MXT130066047109	CIRCLIP
39	MXT130022110326	PIN
40	MXT130022114241	PIN
41	MXT130023114470	BRACKET
45	MXT130023070110	CONNECTION
46	MXT130023114300	LEVA

