

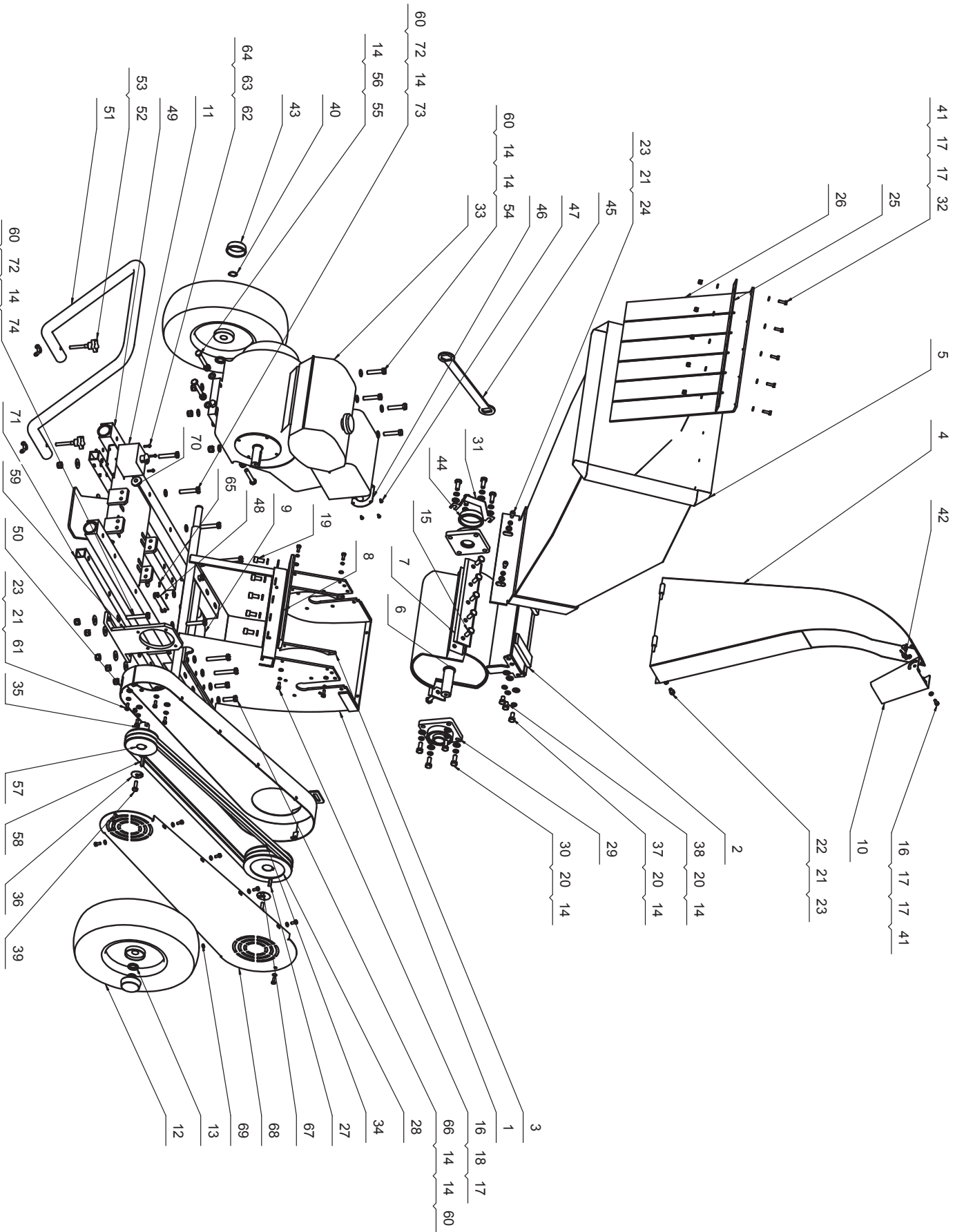
GTM
PROFESSIONAL®

Spare Parts Drawings and Lists
GTS1300 V3

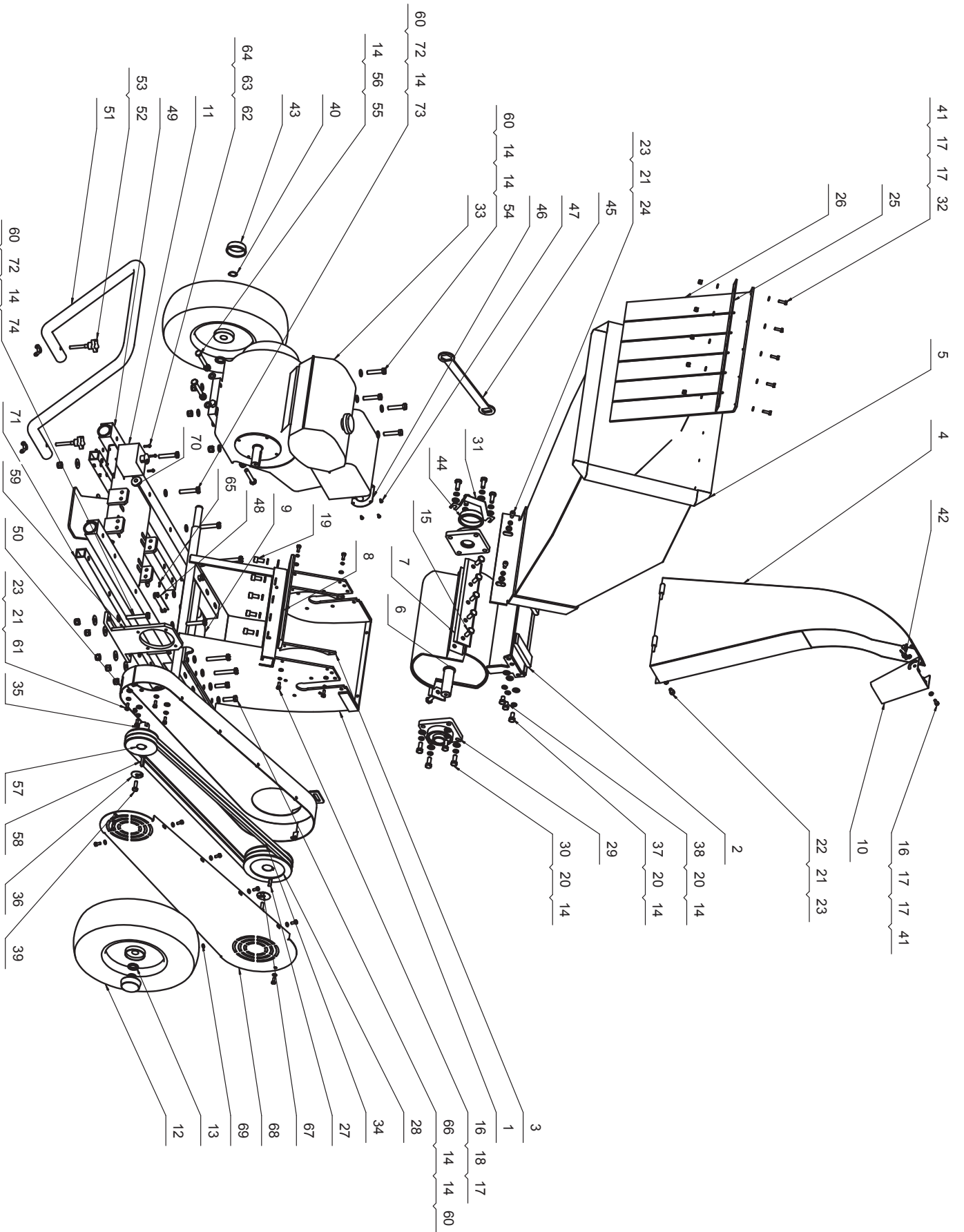
English



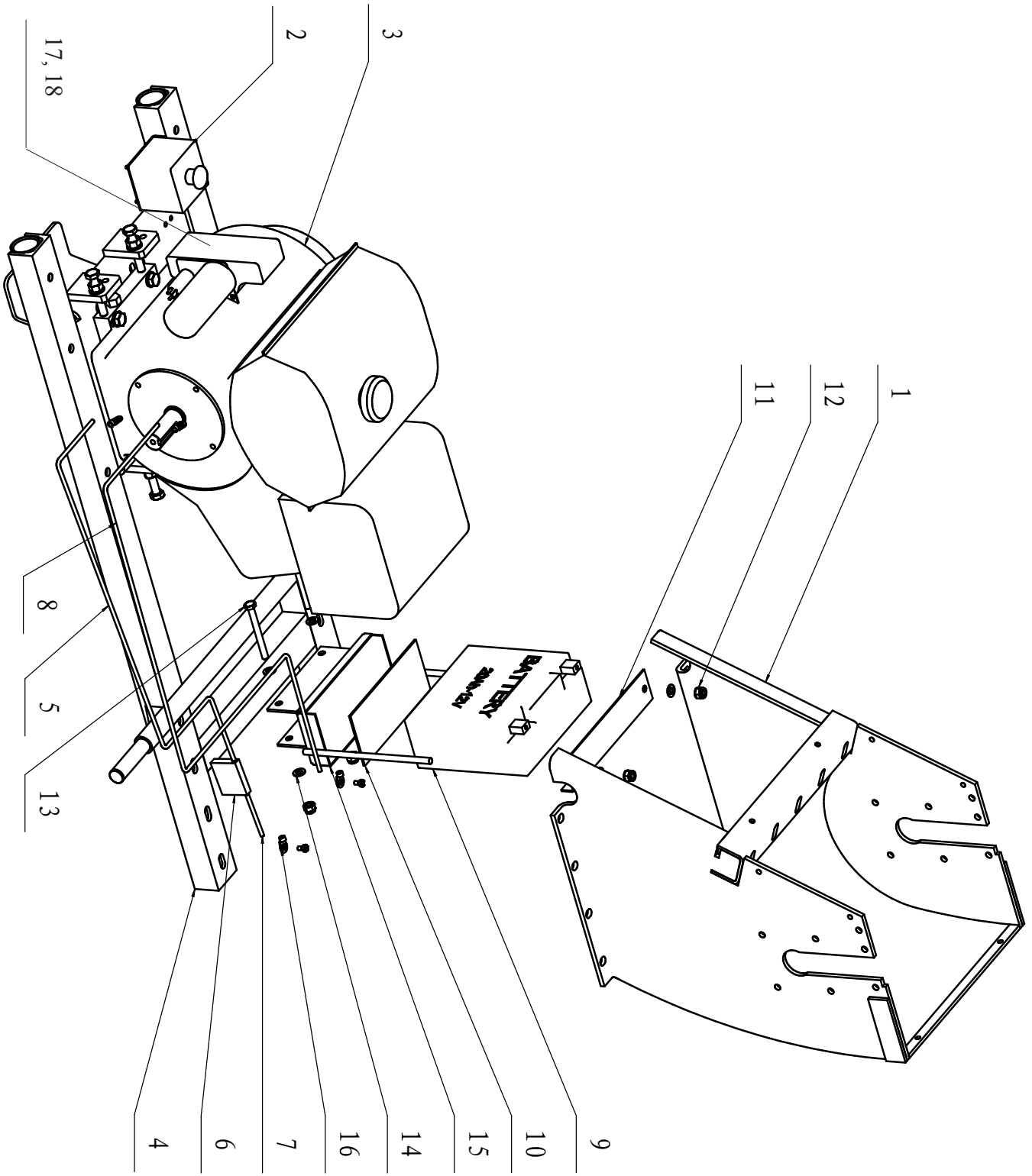
www.gtmprofessional.com



Item no.	Name	Part Nr.	#
1	shredder box	MZSGTS8020000	1
2	top of the box	MZSGTS8040000	1
3	rotor protector	MZSGTS8200000	2
4	conveyor	MZSGTS8060000	1
5	hopper	MZSGTS8050000	1
6	rotor	MZSGTS8030000	1
7	blade	MZSGTS8170000	2
8	counter blade	MZSGTS8180000	1
9	bumper	MZSGTS8080000	1
10	deflector	MZSGTS8250000	1
11	emergency switch	MZSGTS8260000	1
12	wheel	MZSGTS8110000	2
13	circlip	MZSGTS8300000	4
14	washer M10	MZSGTS8220104	49
15	blade bolt	MZSGTS8210501	10
16	bolt M6x16	MZSGTS8210202	14
17	washer M6	MZSGTS8220102	18
18	spring washer M6	MZSGTS8220201	4
19	inner hexagon cap screw M10x20	MZSGTS8210103	5
20	spring washer M10	MZSGTS8220203	19
21	spring washer M8	MZSGTS8220202	8
22	inner hexagon cap screw M8x12	MZSGTS8210101	2
23	washer M8	MZSGTS8220103	8
24	inner hexagon cap screw M8x16	MZSGTS8210102	2
25	strip 3mm	MZSGTS8310000	1
26	rubber cover	MZSGTS8320000R2	1
27	rotor shaft key	MZSGTS8260001	1
28	pulley	MZSGTS8350001T	1
29	bearing housing	MZSGTS8160000	2
30	bolt M10x25	MZSGTS8210208	8
31	protection	MZSGTS8140000	1
32	bolt M6x20	MZSGTS8210203	5
33	Mitsubishi engine	M0040101	1
33	GT engine	MZSGTS8270000G	1
34	V-belt	MZSGTS8360000	2
35	bush engine shaft	MZSGTS8350000	1
36	safety ring for engine	MZSGTS8290002	1
37	bolt M10x20	MZSGTS8210207	1
38	bolt M10x16	MZSGTS8210206	5
39	bolt M8x25	MZSGTS8210205M	2
40	circlip	MZSGTS8300000	2
41	lock nut M6	MZSGTS8230201	7
42	wing nut M6	MZSGTS8210601	1
43	wheel cap	MZSGTS8370000	2
44	cap bearing	MZSGTS8150000	1
45	rotor deblocking tool	MZSGTS8130000	1
46	deflector	see engine parts list	-
47	tapping screw	MZSGTS8210401	4



Item no.	Name	Part Nr.	#
48	production serial number plate	MZSGTS8340000	1
49	frame	MZSGTS8010000	1
50	belt cover	MZSGTS8070000R02	1
51	handle	MZSGTS8090000	1
52	pin	MZSGTS8100000	2
53	wing nut	MZSGTS8230301	2
54	bolt M10x50	MZSGTS8210213	4
55	bolt M10x60	MZSGTS8210212	4
56	nut M10	MZSGTS8230102	4
57	motorpulley for Mitsubishi engine	MZSGTS8350002M	1
57	motorpulley for GT engine	MZSGTS8350002	1
58	key	MZSGTS8280002M	1
59	belt cover support	MZGTST8400000	1
60	lock nut M10	MZSGTS8230201	18
61	inner hexagon cap screw M6x16	L001-1161-0616	4
62	cup head screw M4x15	MZSGTS8210301	4
63	nut M4	MZSGTS8230101	4
64	washer M4	MZSGTS8220101	4
65	rivet	MZSGTS8380000	2
66	bolt M10x35	L001-1101-1035	4
67	safety ring for rotor	MZSGTS8290001	1
68	belt cover plate	MZSGTS8190000	1
69	washer M6	MZSGTS8210203	8
70	grommet	MZSGTS8500000	1
71	tube	MZSGTS8072000	2
72	washer	MZSGTS8220104	10
73	bolt M10x55	L001-1101-1055	4
74	bolt M10x65	L001-1101-1065	6



Item no.	Name	Part Nr.	#
1	Schredder box	MZSGTS8020000	1
2	Emergency Switch	MZSGTS8260000	1
3	GT Engine electric starter	MZSGTS8270000 GE	1
4	Frame	MZSGTS8010000	1
5	Red Cable	-	1
6	Fuse 50 A	MZSGTS8120002	1
7	Red Cable	-	1
8	Black Cable	-	1
9	Battery	L019-0001-0001	1
10	Rubber Plate	L007-0005-0001	1
11	Battery Holder Top Plate	MZSGTS8120001	1
12	Lock Nut M8	L004-1492-0008	4
13	Bolt M8x80	L001-1101-0880	2
14	Washer M8	MZSGTS8220103	6
15	Battery Holder	MZSGTS8120000	1
16	Terminal	-	4
17	Starter Control Box	GZTE271050002-0002	1
18	Fuse Control Box 5 A	MZSGTS8120003	1

GTM
PROFESSIONAL®

www.gtmprofessional.com